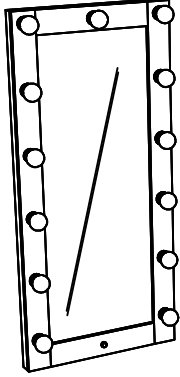


ASSEMBLY INSTRUCTIONS

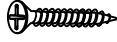

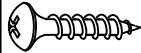

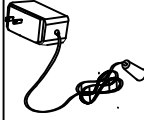
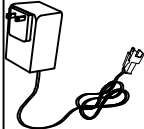
**Model : Lexi-Grey-Narrow Tall MR
Lexi-Grey-DWR W/Speaker**

**Description : Narrow Tall Mirror With Led
Drawer With Speaker**

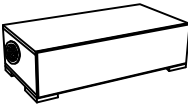
PART LIST : NARROW TALL MIRROR

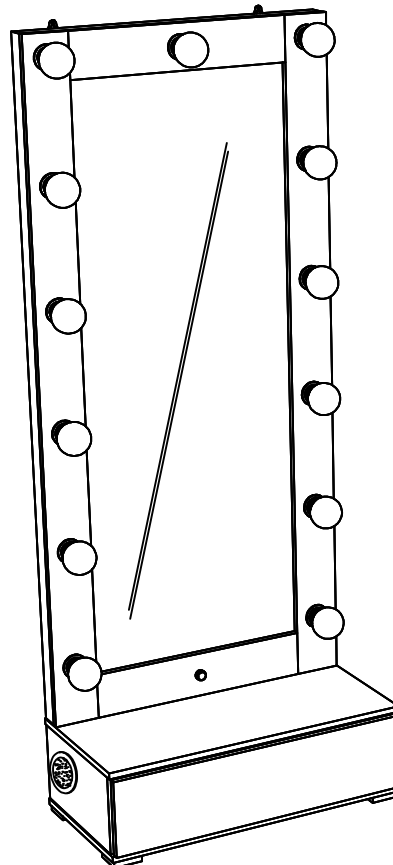
No	Description	Diagram	Quantity
A	Tall Mirror		1 pc

HARDWARE LIST

PACKED IN TALL MIRROR				
No	Description	Diagram	Size	Quantity
1	Flat Head Chipboard Screw		M4 x 32mm	2 pcs
2	Wall Plug		6mm x 31mm	2 pcs
3	Pan Head Chipboard Screw		M3.5 x 20mm	4 pcs
4	Hook			2 pcs
5	Adaptor Led			1 pc
6	Adaptor Speaker			1 pc

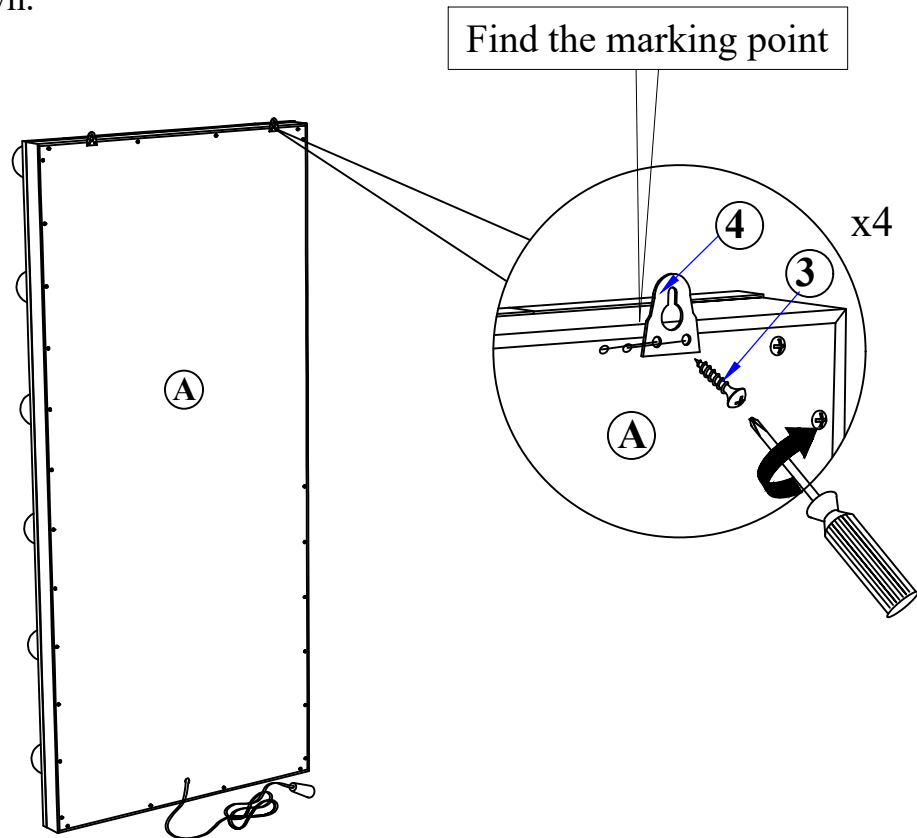
PART LIST : SMALL DRAWER

No	Description	Diagram	Quantity
B	Drawer Box		1 pc



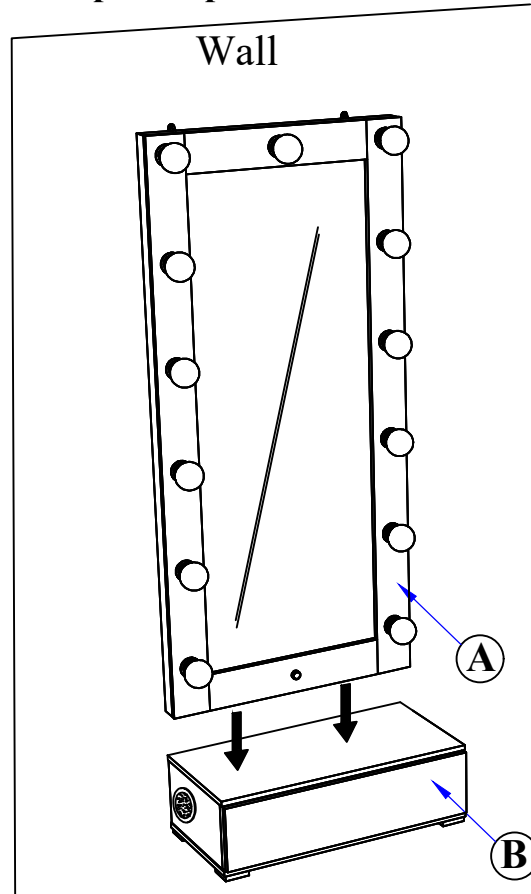
COMPLETE ASSEMBLY

STEP 1: Attach Hook(4) at Back tall mirror (A) and secure with pan head chipboard screw(3) ,Then tighten with screw driver(not included) as shown.

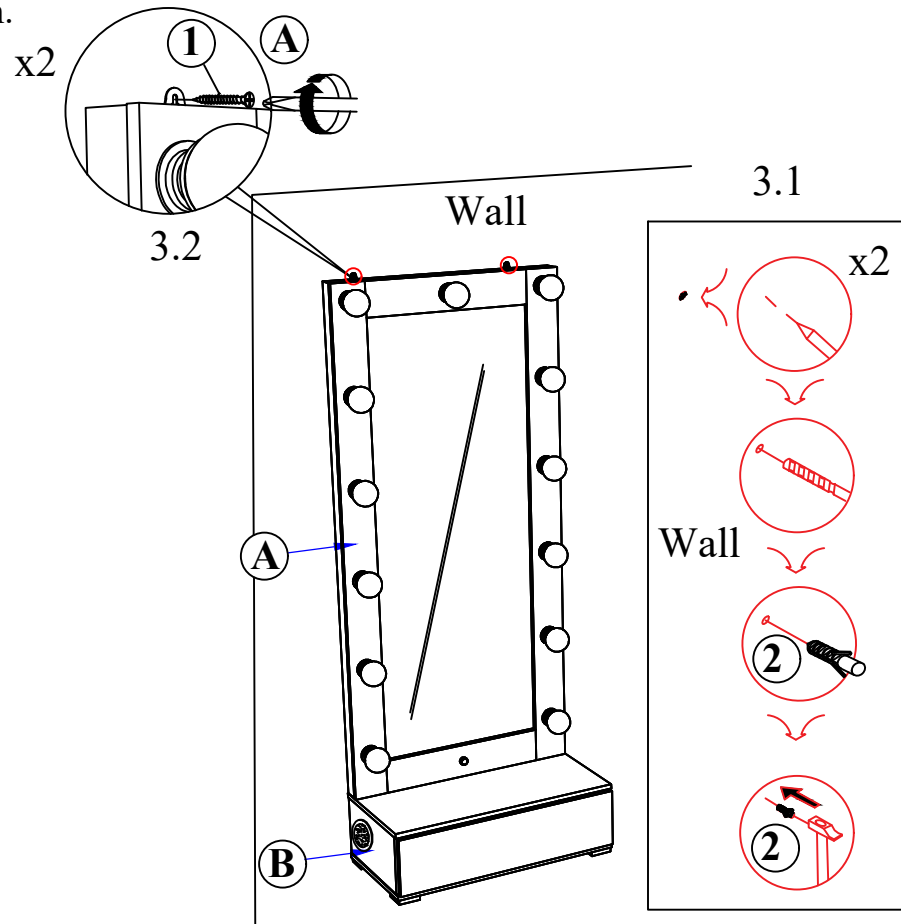


STEP 2: Align Tall mirror drawer box (B) touch the wall and Place the Tall Mirror (A) on top of Tall Mirror drawer Box(B).

WARNING! : Need two Peoples to place the Tall Mirror.



STEP 3: Please align and touch tall mirror(A) at the wall. Please marking and drill hole for Insert Wall plug(2) to the wall. Then secure Tall Mirror (A) with flat head chipboard screw(1) and tighten with screw driver(not included)as shown.



STEP 4:

