

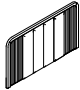


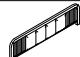

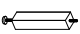

ASSEMBLY INSTRUCTION

Model : BECKETT-QB-HB/SR/FB







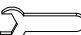

Description : Queen Bed

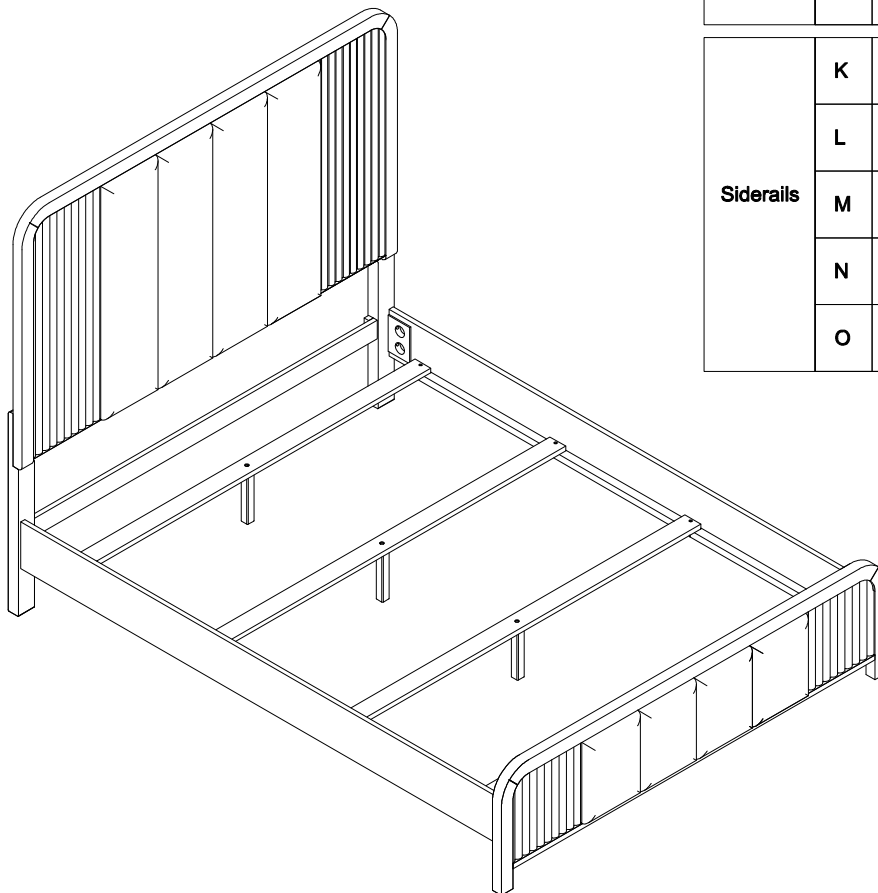
Thank you for purchasing this quality product. Be sure to check all packing materials carefully for small parts, which may have come loose inside the carton during shipment.

PART LIST:

No.	Description	Diagram	Quantity
A	Headboard Panel		1
B	Headboard Leg (L/R)		2
C	Cross Bar		1
D	Footboard		1
E	Slats		4
F	Support Leg		4
G	Siderail		2

HARDWARE LIST:

	No.	Description	Diagram	Size	Quantity
Headboard	H	Bolt		Ø1/4"x38mm	2
	I	Bolt		Ø5/16"x40mm	6
	J	Allen Key		M4	1
Siderails	K	Threaded rods		Ø5/16"x90mm	8
	L	Half moon nut		Ø5/16"	8
	M	Hex Nut		Ø5/16"	8
	N	Wrench		12mm	1
	O	Screw		Ø4x30mm	8



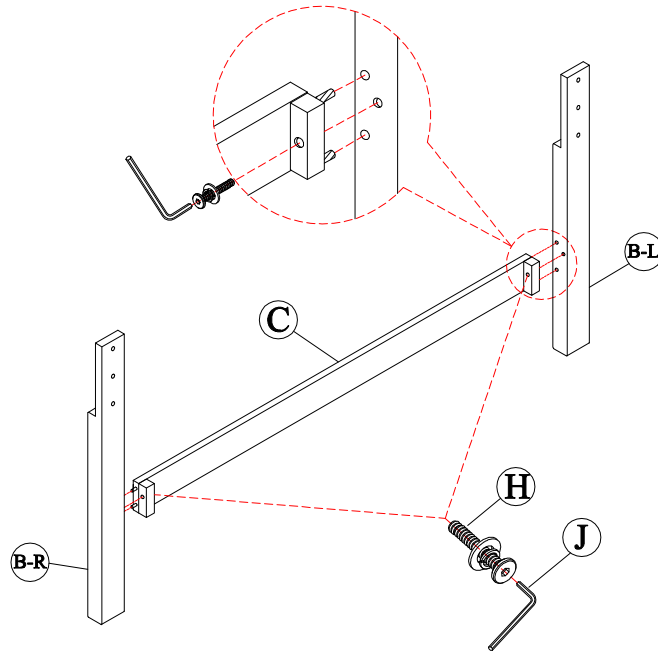
ASSEMBLY INSTRUCTION

Model : BECKETT-QB-HB/SR/FB

Description : Queen Bed

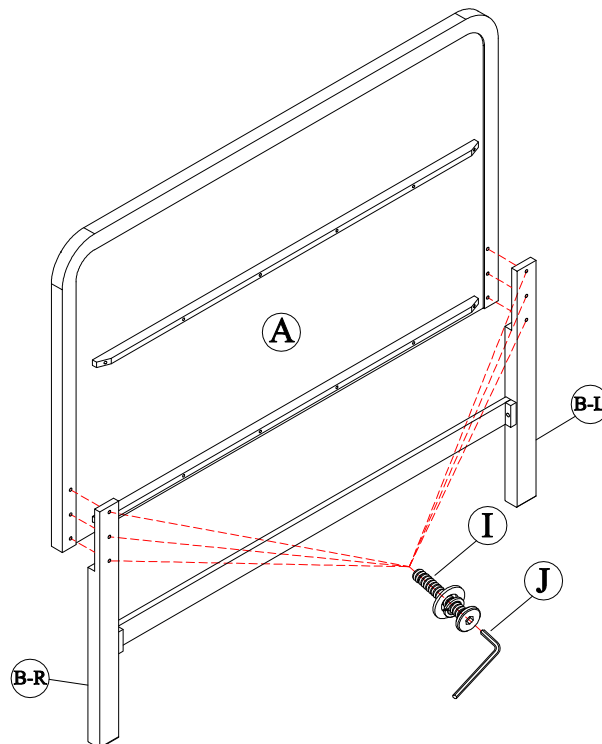
Thank you for purchasing this quality product. Be sure to check all packing materials carefully for small parts, which may have come loose inside the carton during shipment.

Step 1:



Attach Cross Bar (C) to Headboard Leg (L&R) (B) by using Bolt (H) and tighten with Allen Key (J).

Step 2:



Attach Headboard Leg (L&R) (B) to Headboard (A) by using Bolt (I) and tighten with Allen Key (J).

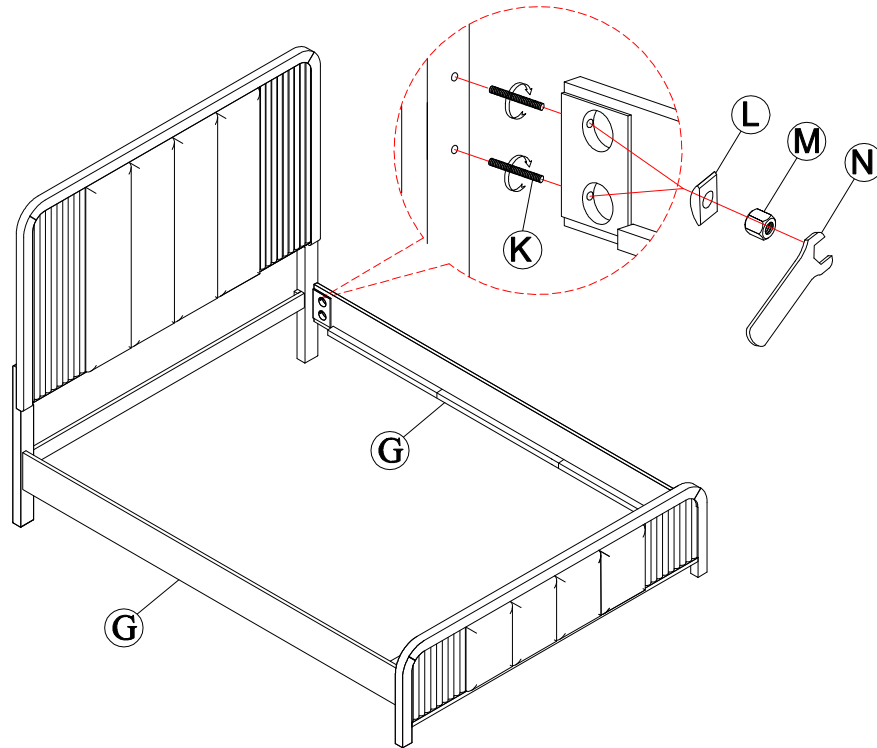
ASSEMBLY INSTRUCTION

Model : BECKETT-QB-HB/SR/FB

Description : Queen Bed

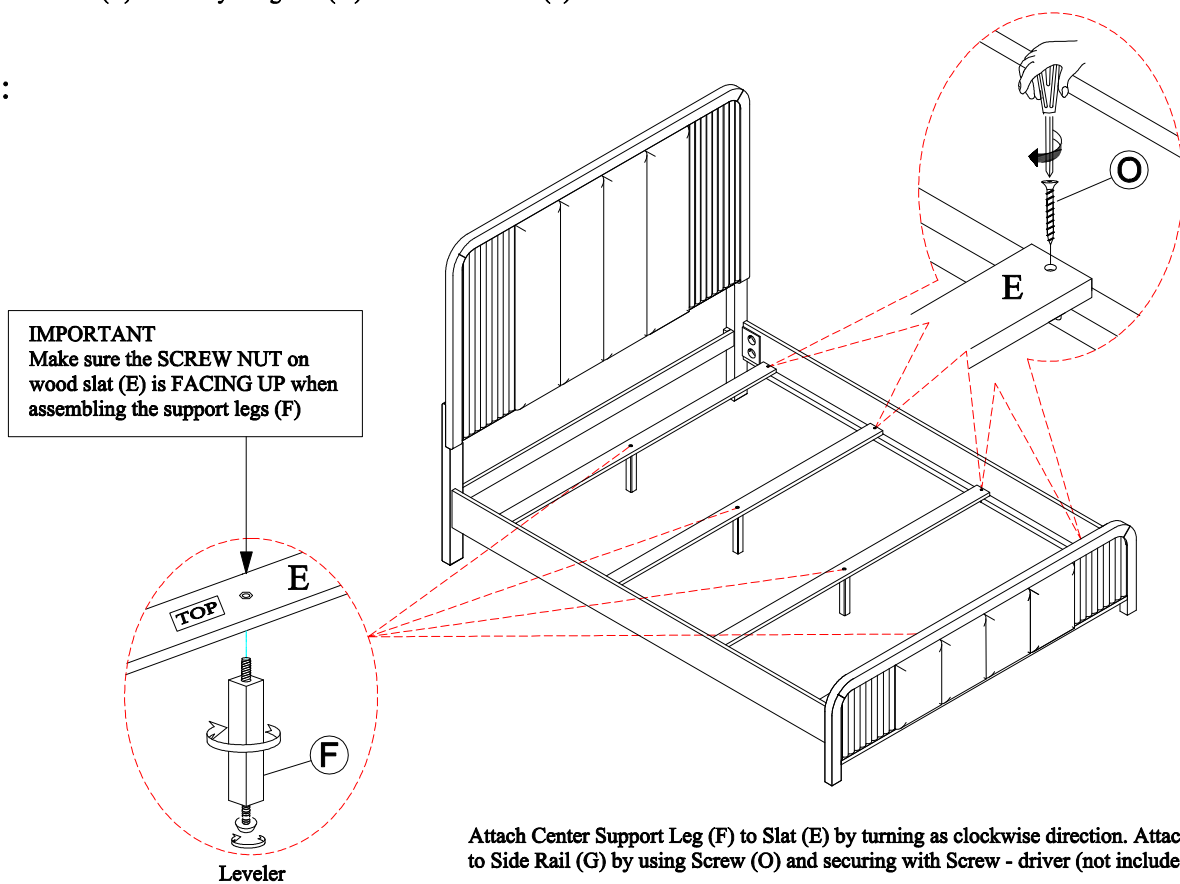
Thank you for purchasing this quality product. Be sure to check all packing materials carefully for small parts, which may have come loose inside the carton during shipment.

Step 3:



Attach Threaded Rods (K) to the Headboard and Footboard (D), then align side rail (G) to the threaded rods (K). Secure by using nuts (M) with Half moon nut (L).

Step 4:



IMPORTANT
Make sure the SCREW NUT on wood slat (E) is FACING UP when assembling the support legs (F)

Leveler

Attach Center Support Leg (F) to Slat (E) by turning as clockwise direction. Attach Slat (E) to Side Rail (G) by using Screw (O) and securing with Screw - driver (not included).

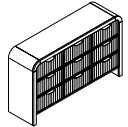
ASSEMBLY INSTRUCTION

Model : BECKETT-DR W/ LED



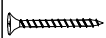
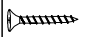
Description : Dresser w/ Led

Thank you for purchasing this quality product. Be sure to check all packing materials carefully for small parts, which may have come loose inside the carton during shipment.

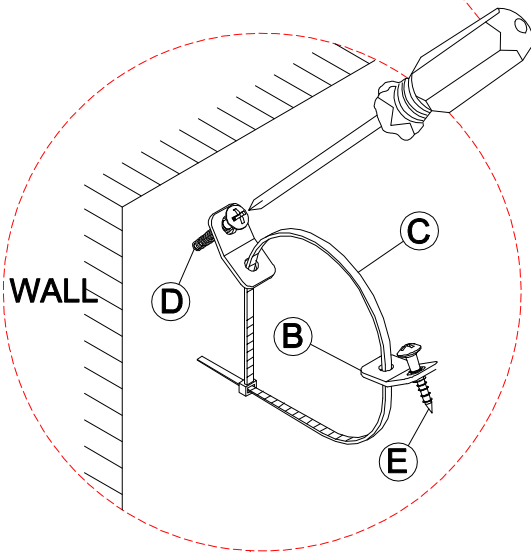
PART LIST:

No.	Description	Diagram	Quantity
A	Dresser		1

HARDWARE LIST:

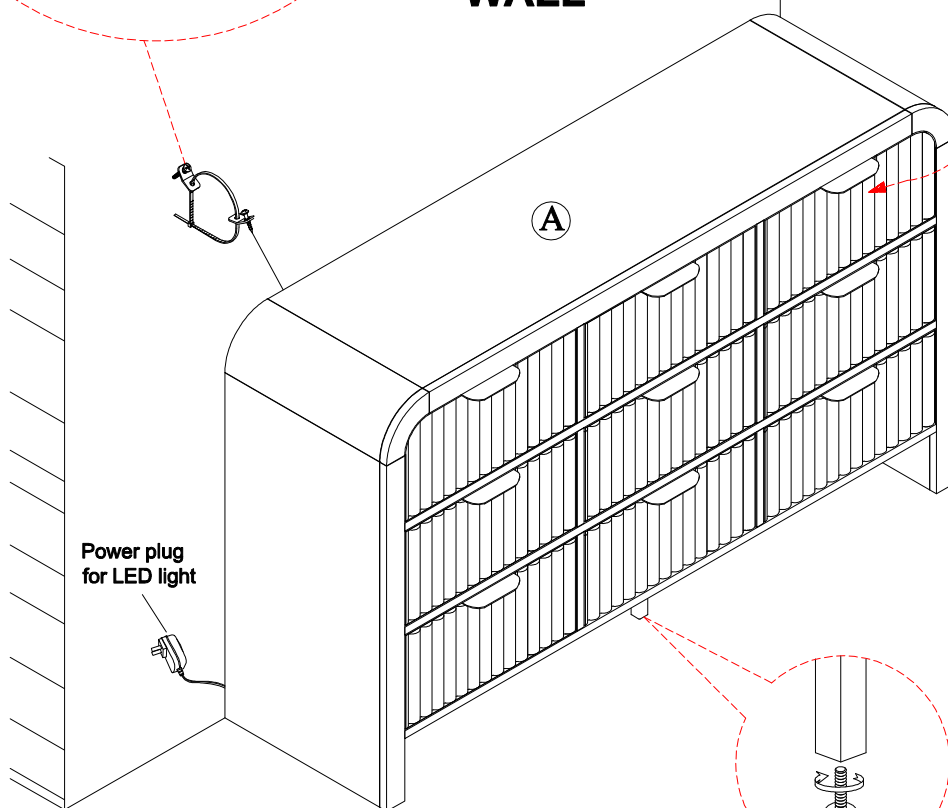
No.	Description	Diagram	Size	Quantity
B	Bracket			2
C	Tie Wrap			1
D	Long Screw		Ø4x50mm	1
E	Short Screw		Ø4x15mm	1

PHILLIPS SCREWDRIVER
(not provided)



WALL

Anti-tipping kit is located inside the top drawer



Touch

Power plug for LED light

Leveler

The tipping restraint must be attached at back of Dresser, above and on the right or left.

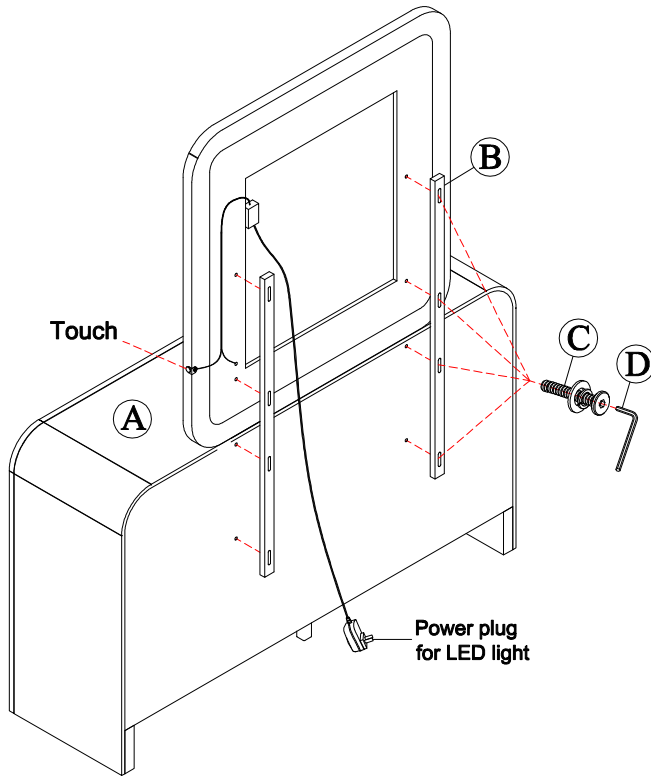
ASSEMBLY INSTRUCTION

Model : BECKETT-MR W/ LED

Description : Mirror w/ Led

Thank you for purchasing this quality product. Be sure to check all packing materials carefully for small parts, which may have come loose inside the carton during shipment.

Step 1:



PART LIST:

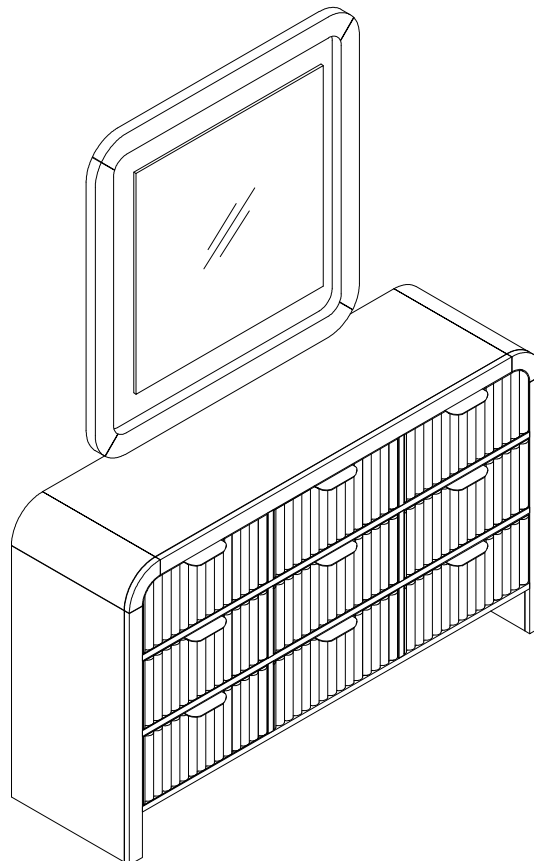
No.	Description	Diagram	Quantity
A	Mirror		1
B	Mirror Support		2

HARDWARE LIST:

No.	Description	Diagram	Size	Quantity
C	Bolt		Ø1/4"x38mm	8
D	Allen Key		M4	1

Attach Mirror Support (B) to back of Dresser, Mirror (A) by using Bolt (C) and tighten with Allen Key (D). Align holes on Mirror Support with pre-drilled holes on Dresser and Mirror.

Step 2:



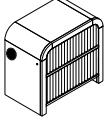
ASSEMBLY INSTRUCTION

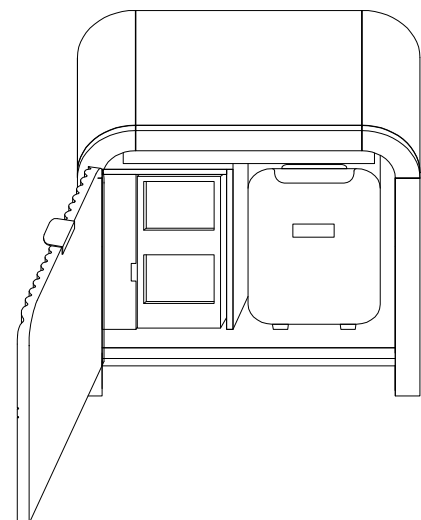
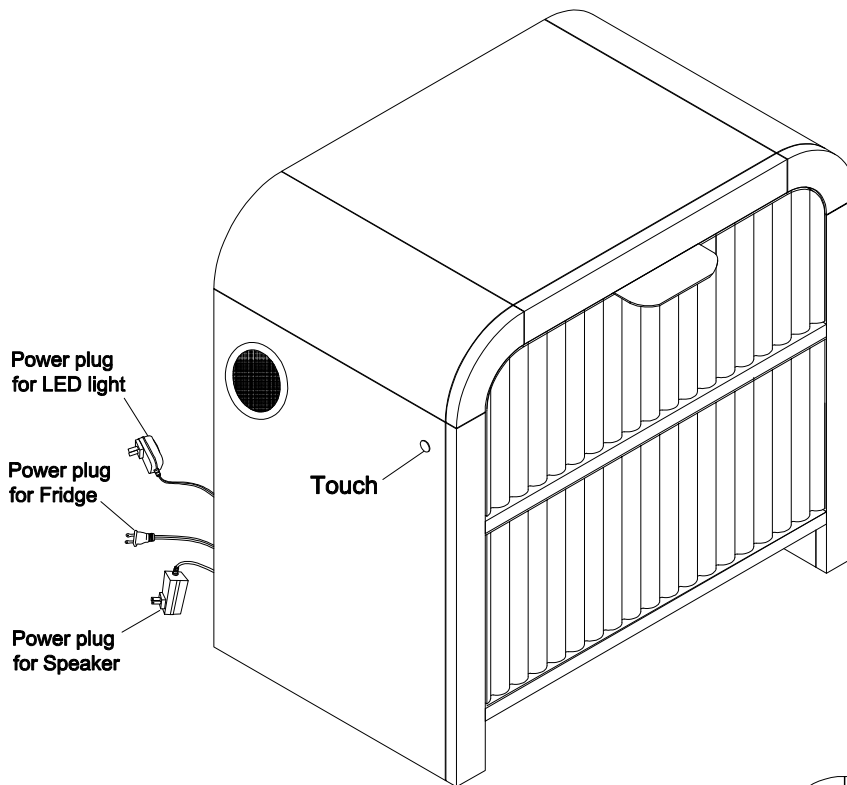
Model : BECKETT-NS W /LED COOLER& SPEAKER

Description : Nightstand W/ Led,Cooler & Speaker

Thank you for purchasing this quality product. Be sure to check all packing materials carefully for small parts, which may have come loose inside the carton during shipment.

PART LIST:

No.	Description	Diagram	Quantity
A	Nightstand		1

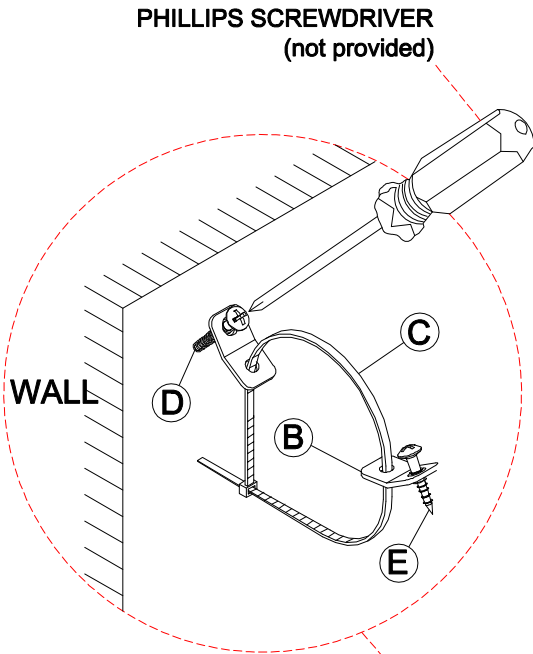


ASSEMBLY INSTRUCTION

Model : BECKETT-CH W/ LED

Description : Chest w/ Led

Thank you for purchasing this quality product. Be sure to check all packing materials carefully for small parts, which may have come loose inside the carton during shipment.

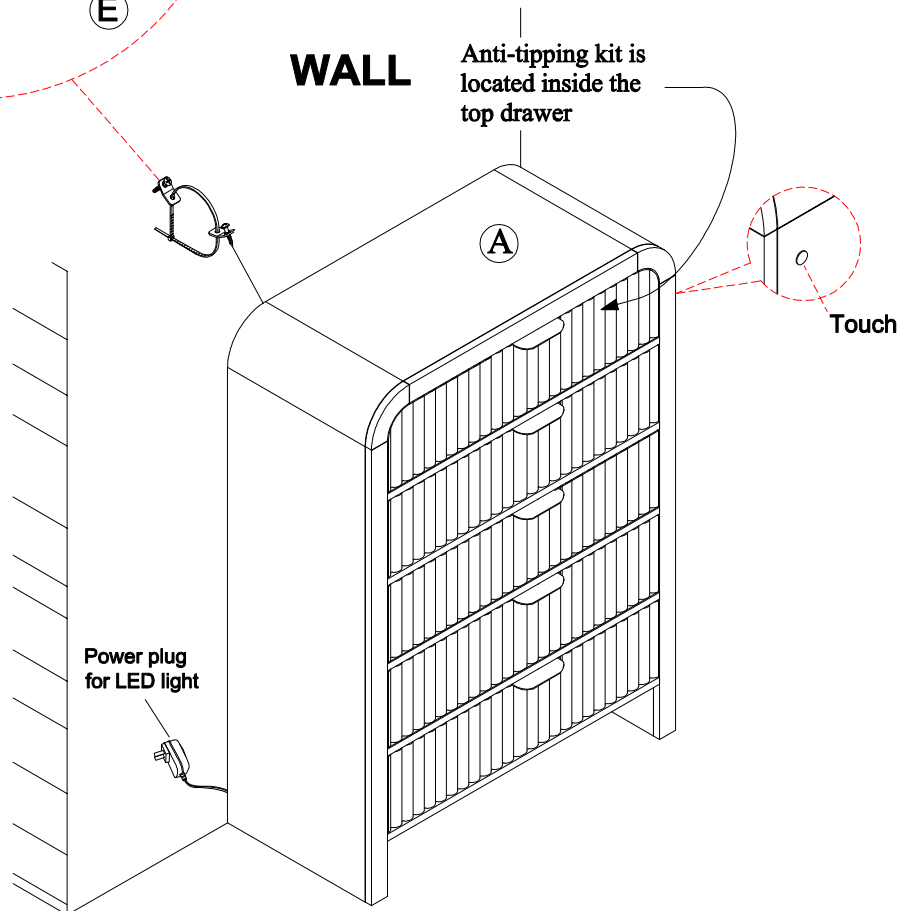


PART LIST:

No.	Description	Diagram	Quantity
A	Chest		1

HARDWARE LIST:

No.	Description	Diagram	Size	Quantity
B	Bracket			2
C	Tie Wrap			1
D	Long Screw		Ø4x50mm	1
E	Short Screw		Ø4x15mm	1



The tipping restraint must be attached at back of Chest, above and on the right or left.