


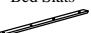
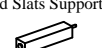


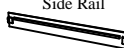
ASSEMBLY INSTRUCTIONS

MODEL : 0361A/B & 0362A
YLIME
E.KING (4+8)

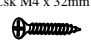


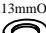
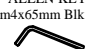
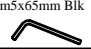

(Box 1)
 BOX OF HEADBOARD & FOOTBOARD

| No | ITEM | Qty |
|----|--|-------|
| A | Headboard  | 1 pc |
| B | Footboard  | 1 pc |
| C | Headboard Leg (L/R)  | 2 pcs |
| D | Bed Slats  | 4 pcs |
| E | Bed Slats Support  | 8 pcs |

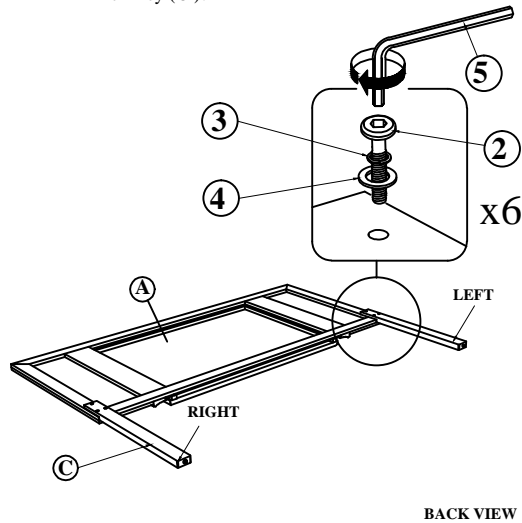
(Box 2)
 BOX OF SIDE RAIL

| No | ITEM | Qty |
|----|--|-------|
| F | Side Rail  | 2 pcs |

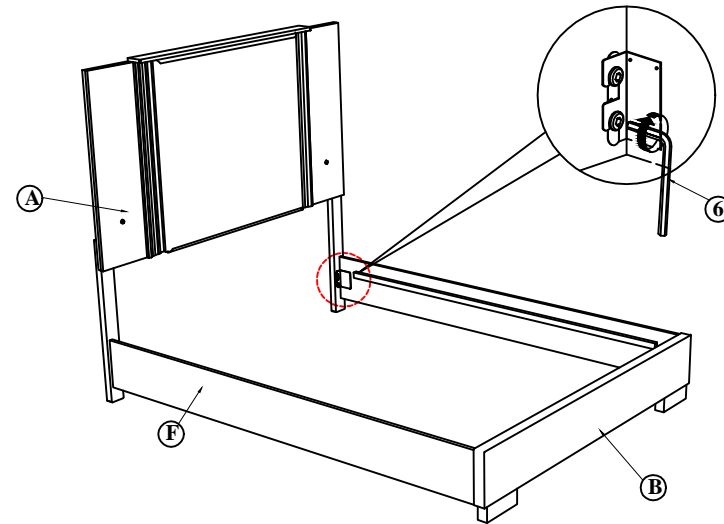
(Box 1)
 HARDWARE LIST

| No | ITEM | Qty |
|----|---|-------|
| 1 | Csk M4 x 32mm  | 8 pcs |
| 2 | JCBC Bolt m6x30mm Blk  | 6 pcs |
| 3 | Spring Washer 1/4" Blk  | 6 pcs |
| 4 | Flat Washer 1/4"IDx13mmOD Blk  | 6 pcs |
| 5 | ALLEN KEY m4x65mm Blk  | 1 pc |
| 6 | ALLEN KEY m5x65mm Blk  | 1 pc |
| 7 | 12V+12W+1A Adaptor With ETL Certificate  | 1 pc |

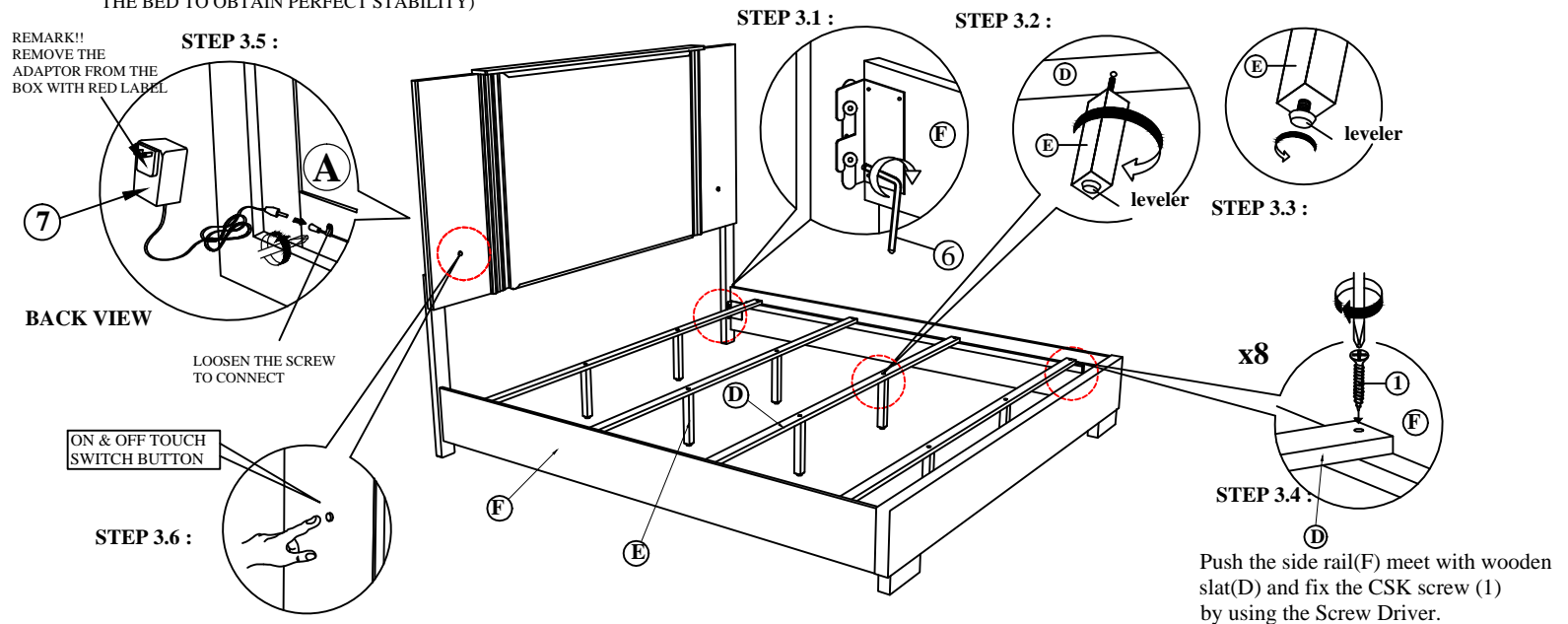
STEP 1 : Attach Head Board Leg (C) to Head Board (A) . Insert Spring Washer (3), Flat washer (4),tighten JCBC (2) using an Allen Key (5) .



STEP 2 : Hook SIDE RAIL (F) TO HEAD BOARD (A) closely and push down to fit. repeat step 2 with other end of rail to hook onto FOOTBOARD (B).



STEP 3 : Tighten the 4 Corner with Allen Key (6).Fix the Bed Slat Support Leg (E) , to Bed Slat (D) as shown . Install the bed slat (D) to side rail (F) and tighten with Csk Screw (1) as per diagram shown. (NOTE: THE SETUP MUST DONE AT THE DECIDED LOCATION FOR THE BED TO OBTAIN PERFECT STABILITY)



NOTE : MUST TIGHTEN SCREWS PERIODCALLY WITH USE SCREW WILL BECOME LOOSE CHECK TIGHTNESS OF ALL SCREW EVERY 6-8 WEEKS.

ASSEMBLY INSTRUCTIONS

MODEL : 0361A/B & 0362A
YLIME
QUEEN (4+4)

(Box 1)
 BOX OF HEADBOARD & FOOTBOARD

| No | ITEM | Qty |
|----|---------------------|-------|
| A | Headboard | 1 pc |
| B | Footboard | 1 pc |
| C | Headboard Leg (L/R) | 2 pcs |
| D | Bed Slats | 4 pcs |
| E | Bed Slats Support | 4 pcs |

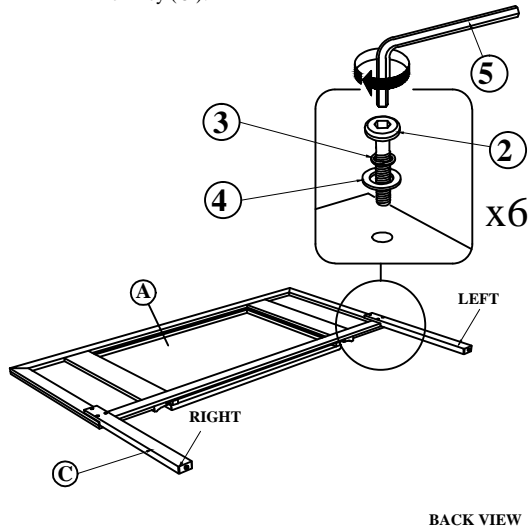
(Box 2)
 BOX OF SIDE RAIL

| No | ITEM | Qty |
|----|-----------|-------|
| F | Side Rail | 2 pcs |

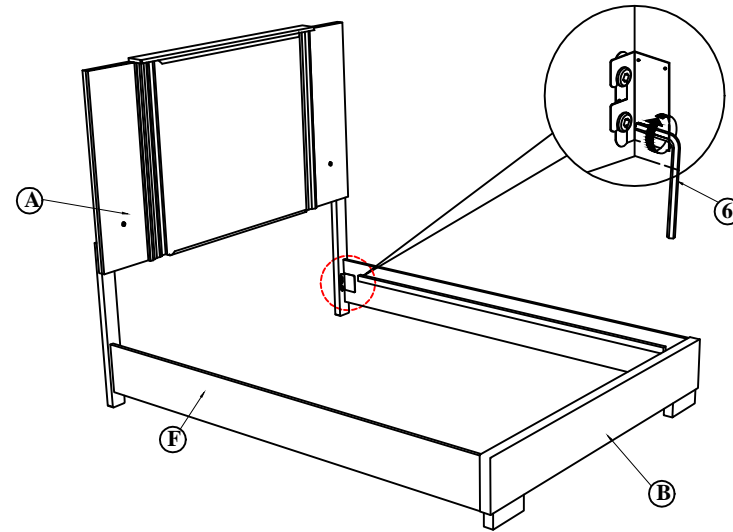
(Box 1)
 HARDWARE LIST

| No | ITEM | Qty |
|----|---|-------|
| 1 | Csk M4 x 32mm | 8 pcs |
| 2 | JCBC Bolt m6x30mm Blk | 6 pcs |
| 3 | Spring Washer 1/4" Blk | 6 pcs |
| 4 | Flat Washer 1/4"IDx13mmOD Blk | 6 pcs |
| 5 | ALLEN KEY m4x65mm Blk | 1 pc |
| 6 | ALLEN KEY m5x65mm Blk | 1 pc |
| 7 | 12V+12W+1A Adaptor With ETL Certificate | 1 pc |

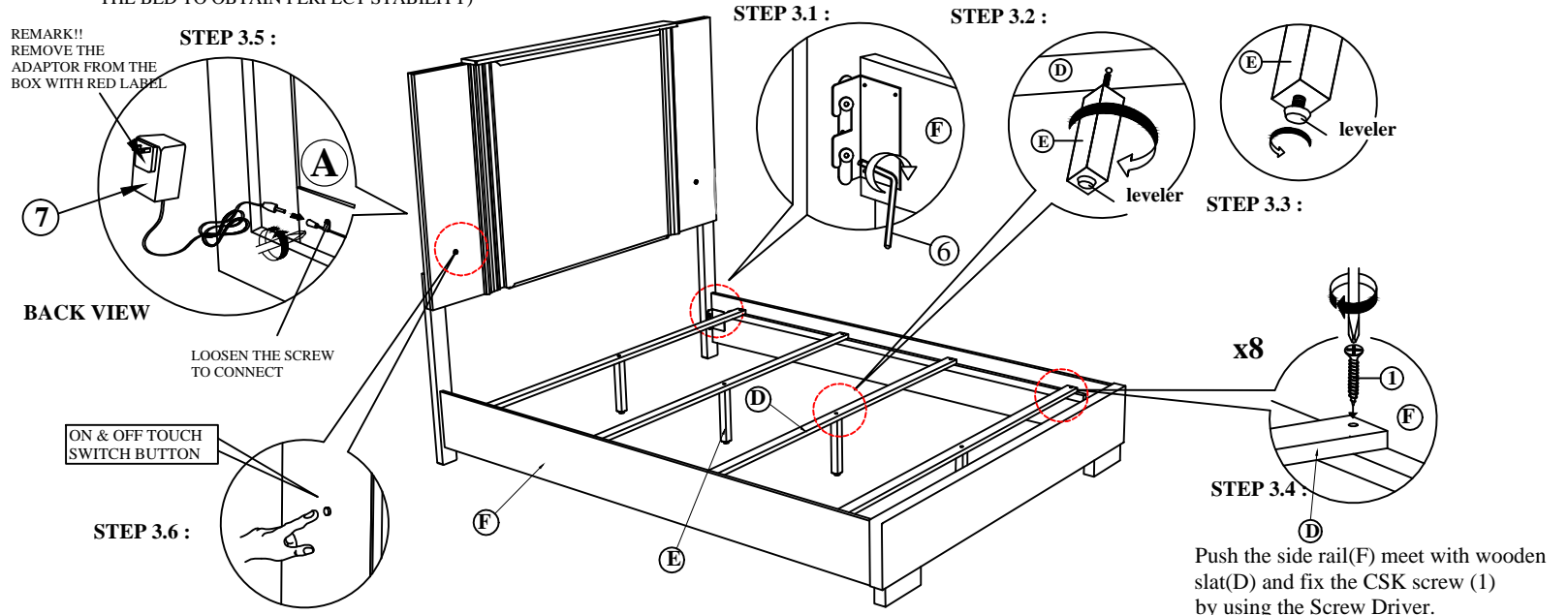
STEP 1 : Attach Head Board Leg (C) to Head Board (A) . Insert Spring Washer (3), Flat washer (4),tighten JCBC (2) using an Allen Key (5) .



STEP 2 : Hook SIDE RAIL (F) TO HEAD BOARD (A) closely and push down to fit. repeat step 2 with other end of rail to hook onto FOOTBOARD (B).



STEP 3 : Tighten the 4 Corner with Allen Key (6).Fix the Bed Slat Support Leg (E), to Bed Slat (D) as shown . Install the bed slat (D) to side rail (F) and tighten with Csk Screw (1) as per diagram shown. (NOTE: THE SETUP MUST DONE AT THE DECIDED LOCATION FOR THE BED TO OBTAIN PERFECT STABILITY)




NOTE : MUST TIGHTEN SCREWS PERIODCALLY WITH USE SCREW WILL BECOME LOOSE CHECK TIGHTNESS OF ALL SCREW EVERY 6-8 WEEKS.


ASSEMBLY INSTRUCTIONS

**MODEL : 0361A/B & 0362A
YLIME
CHEST**

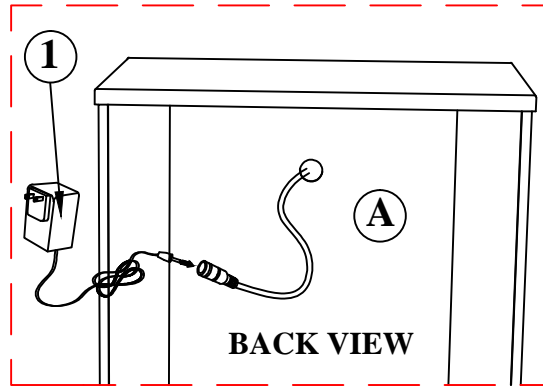
**(BOX 1)
BOX OF CHEST**

| NO | ITEM | QTY |
|----|---|------|
| | CHEST | |
| A |  | 1 PC |

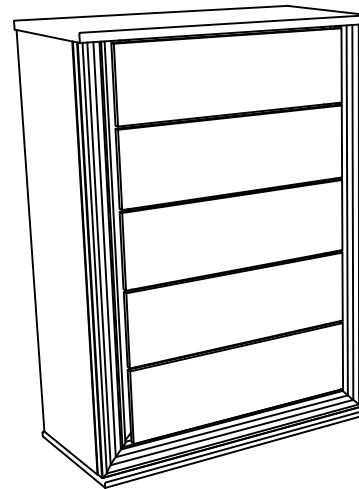
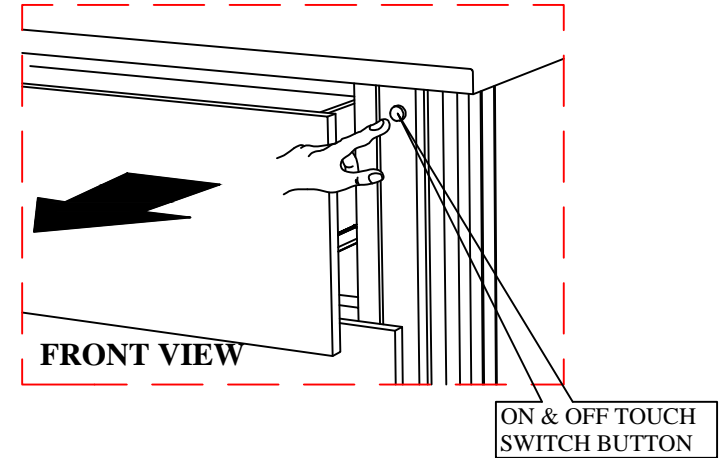
**(BOX 1)
HARDWARE LIST**

| NO | ITEM | QTY |
|----|---|------|
| | 12V+12W+1A Adaptor With ETL Certificate | |
| 1 |  | 1 PC |

STEP 1 : Remove The Adaptor (1) from the Top Drawer then Connect the LED terminal socket which is place at back of Chest (A) as shown.



STEP 2 : Pull out the drawer to find the switch button as shown.



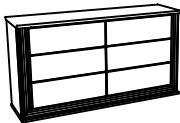
COMPLETED ASSEMBLY

NOTE : MUST TIGHTEN SCREWS PERIODCALLY OR SCREWS WILL BECOME LOOSE.CHECK TIGHTNESS OF ALL SCREWS EVERY 6-8 WEEKS.


ASSEMBLY INSTRUCTIONS

**MODEL : 0361A/B & 0362A
YLIME
DRESSER**

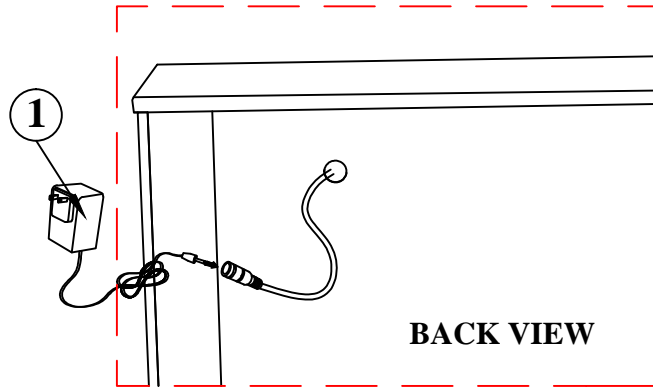
**(BOX 1)
BOX OF DRESSER**

| NO | ITEM | QTY |
|----|---|------|
| | DRESSER | |
| A |  | 1 PC |

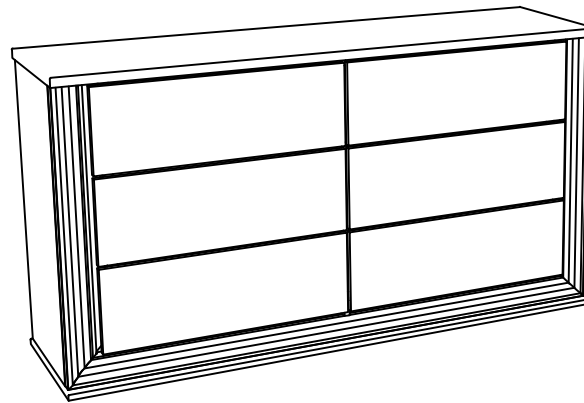
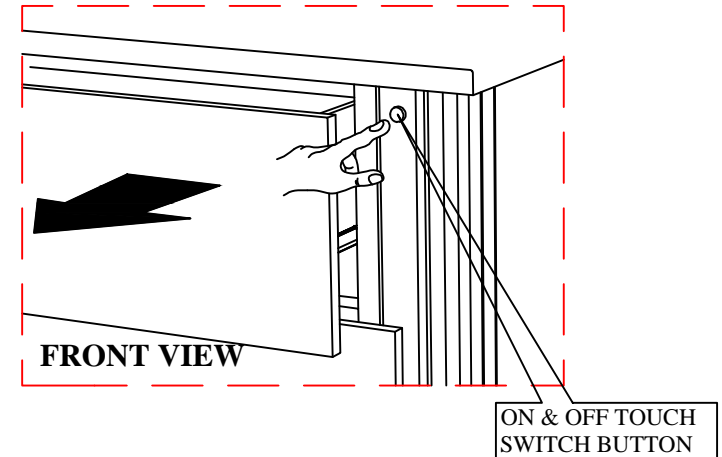
HARDWARE LIST

| NO | ITEM | QTY |
|----|---|------|
| | 12V+12W+1A Adaptor With ETL Certificate | |
| 1 |  | 1 PC |

STEP 1 : Remove The Adaptor (1) from the Top Drawer then Connect the LED terminal socket which is place at back of Dresser (A) as shown.



STEP 2 : Pull out the drawer to find the switch button as shown.



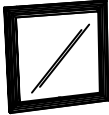
COMPLETED ASSEMBLY

NOTE : MUST TIGHTEN SCREWS PERIODCALLY OR SCREWS WILL BECOME LOOSE.CHECK TIGHTNESS OF ALL SCREWS EVERY 6-8 WEEKS.

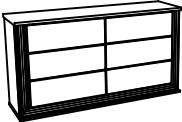

ASSEMBLY INSTRUCTIONS

**MODEL :0361A/B & 0362A
YLIME
DRESSER & MIRROR**



(Box 1)
BOX OF MIRROR

| NO | ITEM | QTY |
|----|---|-----|
| | MIRROR | |
| A |  | 1PC |

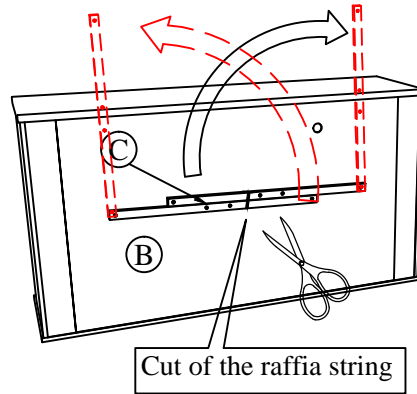
(Box 2)
BOX OF DRESSER

| NO | ITEM | QTY |
|----|---|-------|
| | DRESSER | |
| B |  | 1 PC |
| | MIRROR SUPPORT | |
| C |  | 2 PCS |

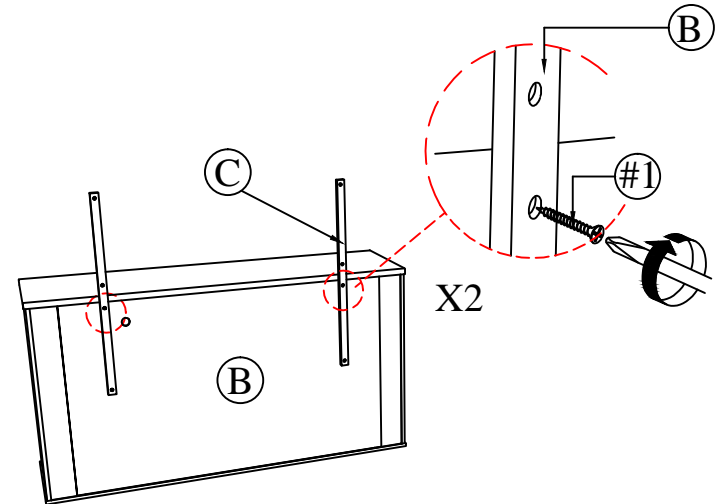
(Box 1)
HARDWARE LIST

| NO | ITEM | QTY |
|----|---|-------|
| 1 | Flat Head Chipboard Screw m4x32mm Rbw  | 6 PCS |
| 2 | 12V+12W+1A Adaptor With ETL Certificate  | 1 PCS |

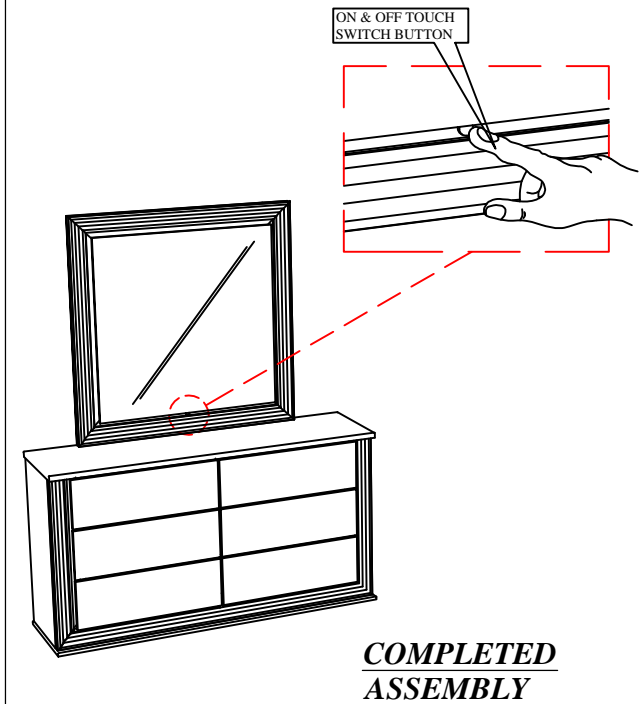
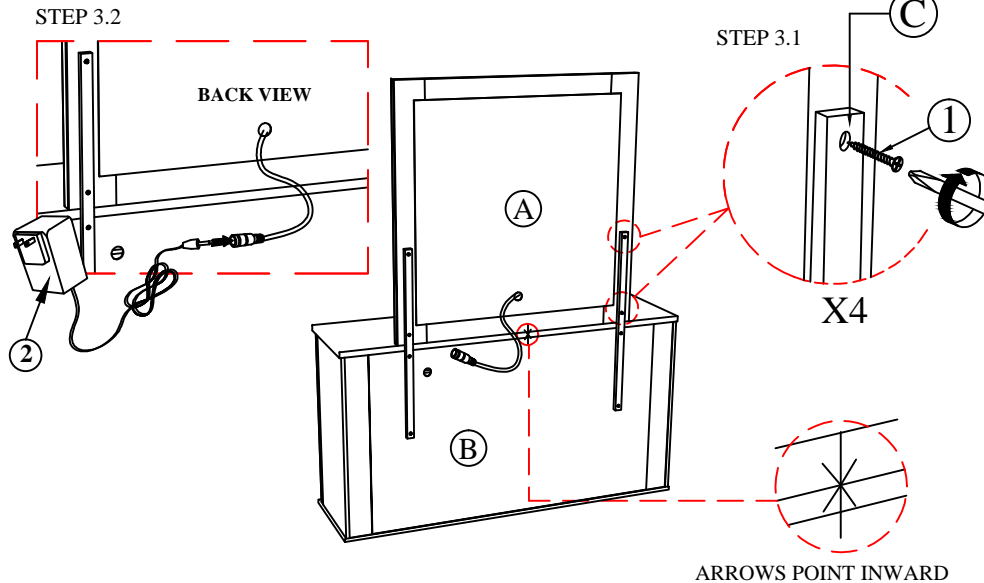
STEP 1 : Cut the raffia string before assembly at back of Dresser as shown.
STEP 1.1 : Centralize the Mirror Support (C) to Vertical position as shown.



STEP 2 : Secure the mirror support (C) with Csk Screw (1) and tighten them with Screw Driver (NOT PROVIDED).



STEP 3 : Place mirror (A) on top of dresser (B). Align & fasten mirror support (C) to the back of dresser (B) using Csk Screw (1) and tighten them with ScrewDriver (NOT INCLUDED).




NOTE : MUST TIGHTEN SCREWS PERIODCALLY WITH USE SCREW WILL BECOME LOOSE CHECK TIGHTNESS OF ALL SCREW EVERY 6-8 WEEKS.

ASSEMBLY INSTRUCTIONS

**MODEL : 0361A/B & 0362A
YLIME
NIGHTSTAND**

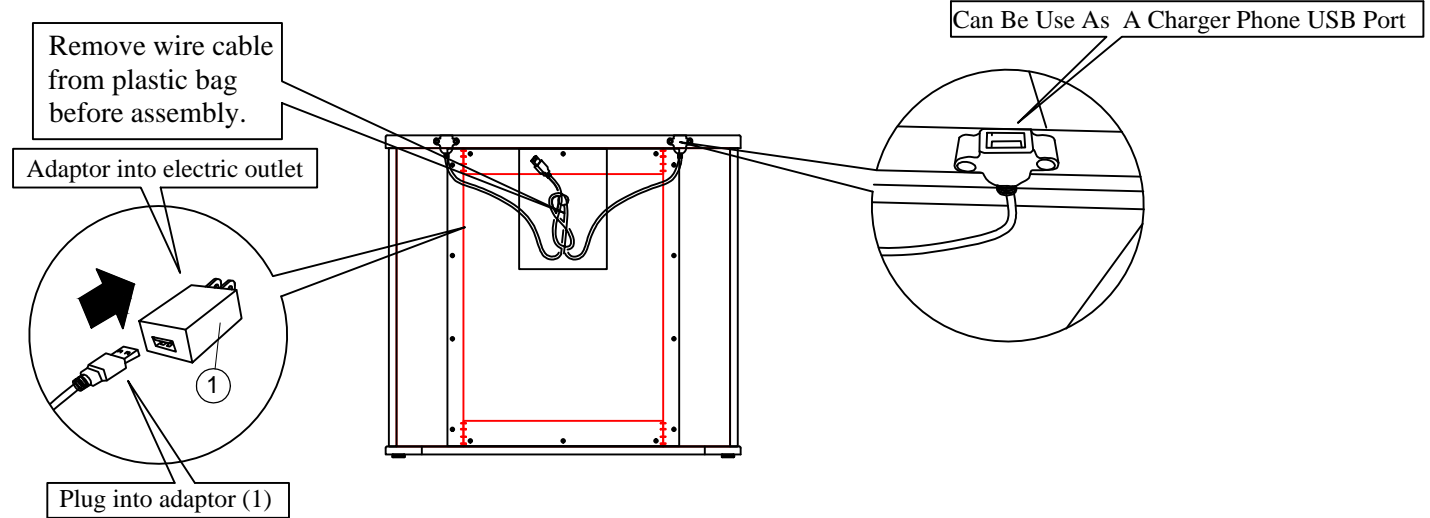
**(BOX 1)
BOX OF NIGHT STAND**

| NO | ITEM | QTY |
|----|---|------|
| | NIGHT STAND | |
| A |  | 1 PC |

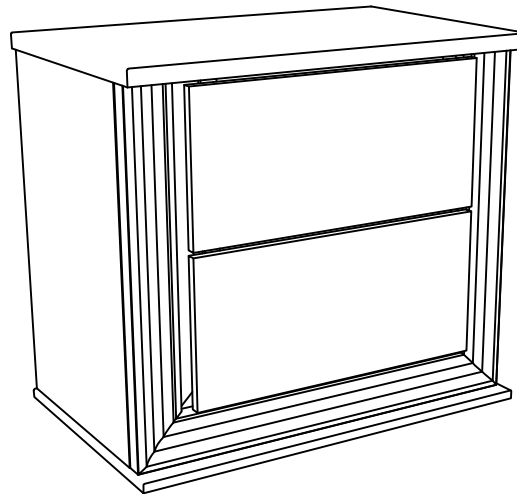
**(BOX 1)
HARDWARE LIST**

| NO | ITEM | QTY |
|----|---|------|
| 1 | 0361A/361B/362A Night Stand 5V2 Adaptor With UL Certificate To 2 USB SUB Part | 1 PC |

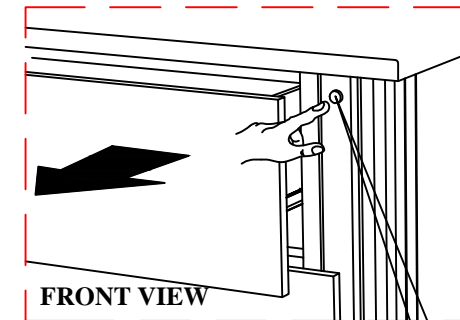
STEP 1 : Remove The Adaptor (1) from the Top Drawer then Connect the LED terminal socket which is place at back of Nightstand (A) as shown.



STEP 2 : Pull out the drawer to find the switch button as shown.



COMPLETED ASSEMBLY




**ON & OFF TOUCH
SWITCH BUTTON**

NOTE : MUST TIGHTEN SCREWS PERIODCALLY OR SCREWS WILL BECOME LOOSE.CHECK TIGHTNESS OF ALL SCREWS EVERY 6-8 WEEKS.



ASSEMBLY INSTRUCTIONS

**MODEL : 0361A/B & 0362A
YLIME
VANITY MIRROR & 3
DRAWER VANITY (L&R)**

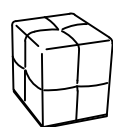
**(BOX 1)
BOX OF VANITY MIRROR**

| NO | ITEM | QTY |
|----|--|------|
| A | VANITY MIRROR  | 1 PC |

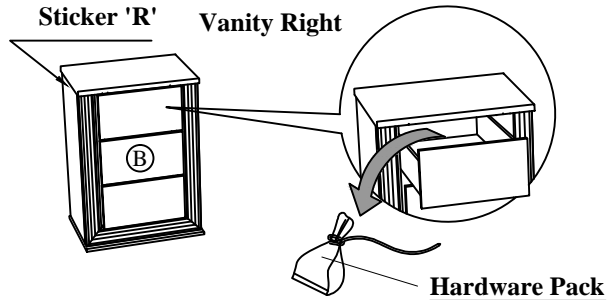
**(BOX 2)
BOX OF 3 DRW VANITY (L&R)**

| NO | ITEM | QTY |
|----|--|-------|
| B | VANITY (L&R)  | 2 PCS |
| C | Tempered Glass Shelf 8mmx330mmx644mm  | 1 PC |

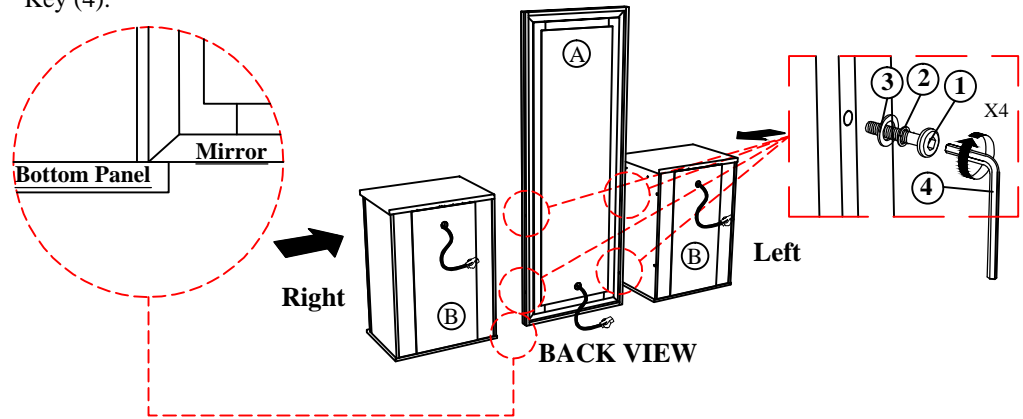
**(BOX 3)
BOX OF STOOL**

| NO | ITEM | QTY |
|----|--|------|
| D | STOOL  | 1 PC |





STEP 1 : Before start your assembly please remove hardware pack from Top drawer of Vanity Right Side.




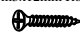

STEP 2 : Attach Mirror (A) to Vanity(L&R)(B) as shown. Insert ,Spring washer (2) , Flat Washer (3) and tighten JCBC Screw (1) using an Allen Key (4).



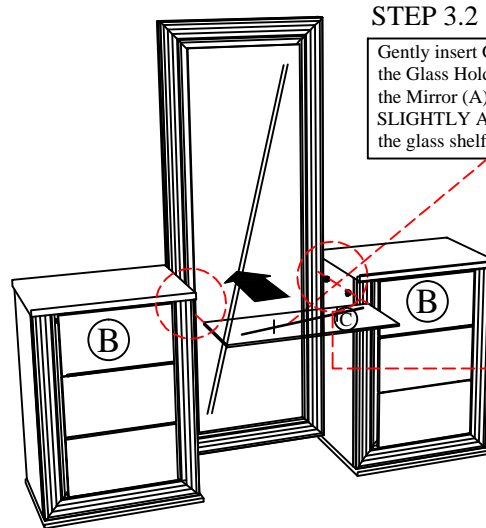
**(BOX 1)
HARDWARE LIST ENCLOSED INSIDE
VANITY MIRROR**


| No | ITEM | Qty |
|----|---|-------|
| 1 | JCBC Bolt m6x35mm Blk  | 4 pcs |
| 2 | Spring Washer 1/4" Blk  | 4 pcs |
| 3 | Flat Washer 1/4"IDx13mmOD Blk  | 4 pcs |
| 4 | ALLEN KEY m4x65mm Blk  | 1 pc |

**(BOX 2)
HARDWARE LIST ENCLOSED INSIDE
VANITY RIGHT**

| No | ITEM | Qty |
|----|---|-------|
| 5 | 612V+12W+1A Adaptor With ETL Certificate  | 1 pc |
| 6 | Flat Head Chipboard Screw m3x12mm Rbw  | 4 pcs |
| 7 | Shelf Glass Holder  | 4 pcs |

STEP 3 : Fixed the Glass holder (7) to the L&R Vanity (B) by following the pre-drilled hole provided . Secure with Csk Screw (6) and tighten them with Screw Driver(NOT PROVIDED).

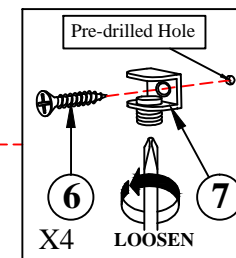


| No | ITEM | Qty |
|----|--|------|
| 8 | Led Wire  | 1 pc |

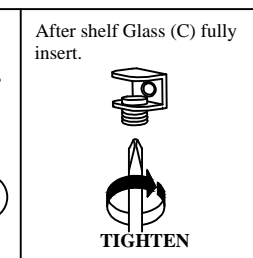
STEP 3.2

Gently insert Glass Shelf (C) inside the Glass Holder (7) and push it to the Mirror (A) frame as shown. SLIGHTLY ADJUST the Vanity if the glass shelf is difficult to push.

STEP 3.1

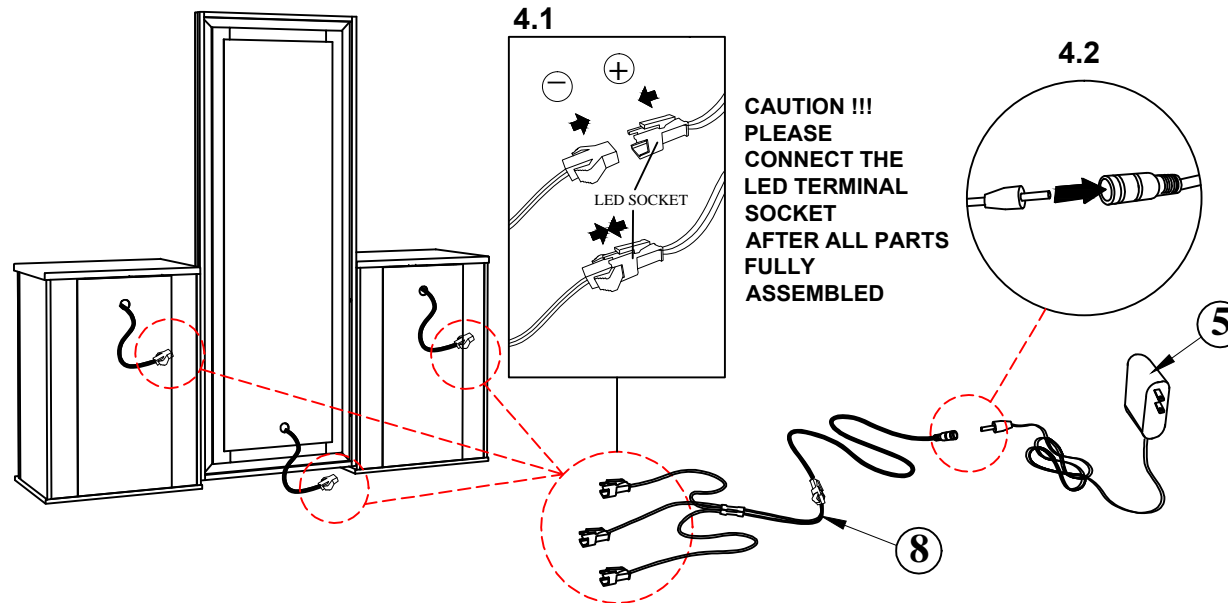


STEP 3.3

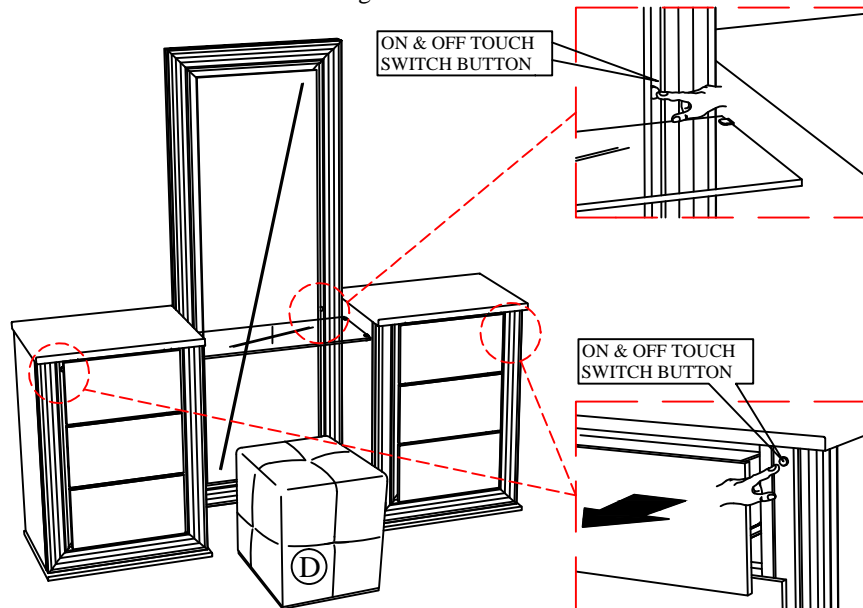


ASSEMBLY INSTRUCTIONS

STEP 4 : Connect the LED wire (8) to the Mirror (A) and Vanity L&R (B) wire cord as Diagram shown. Then Connect LED wire (8) to the Adaptor (5) accordingly.



STEP 5 : After Adaptor is Plug in, touch the switch button to activate the LED light as shown.



WARNING!!
After Fix Do Not Move.

COMPLETED ASSEMBLY