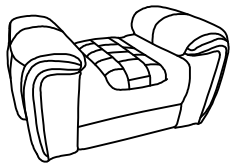
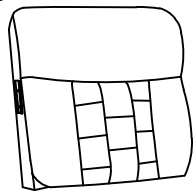


Assembly Instruction

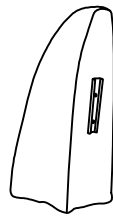
A*1



B*1



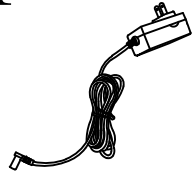
C*1



D*1

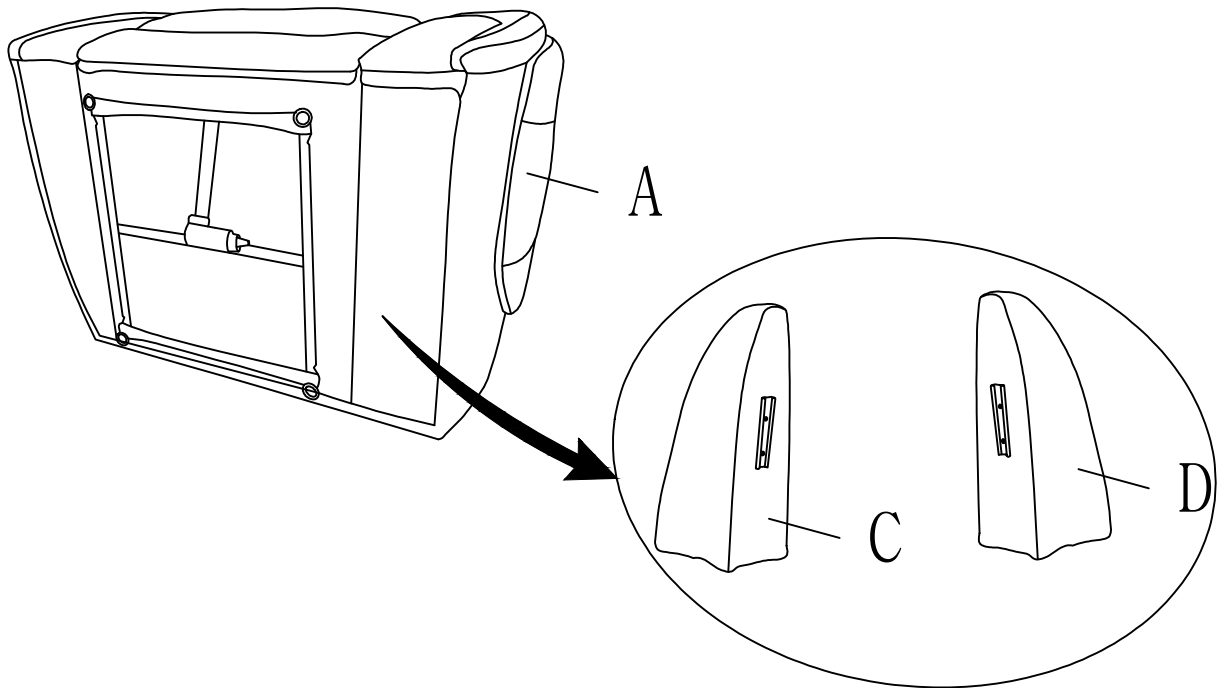


E*1

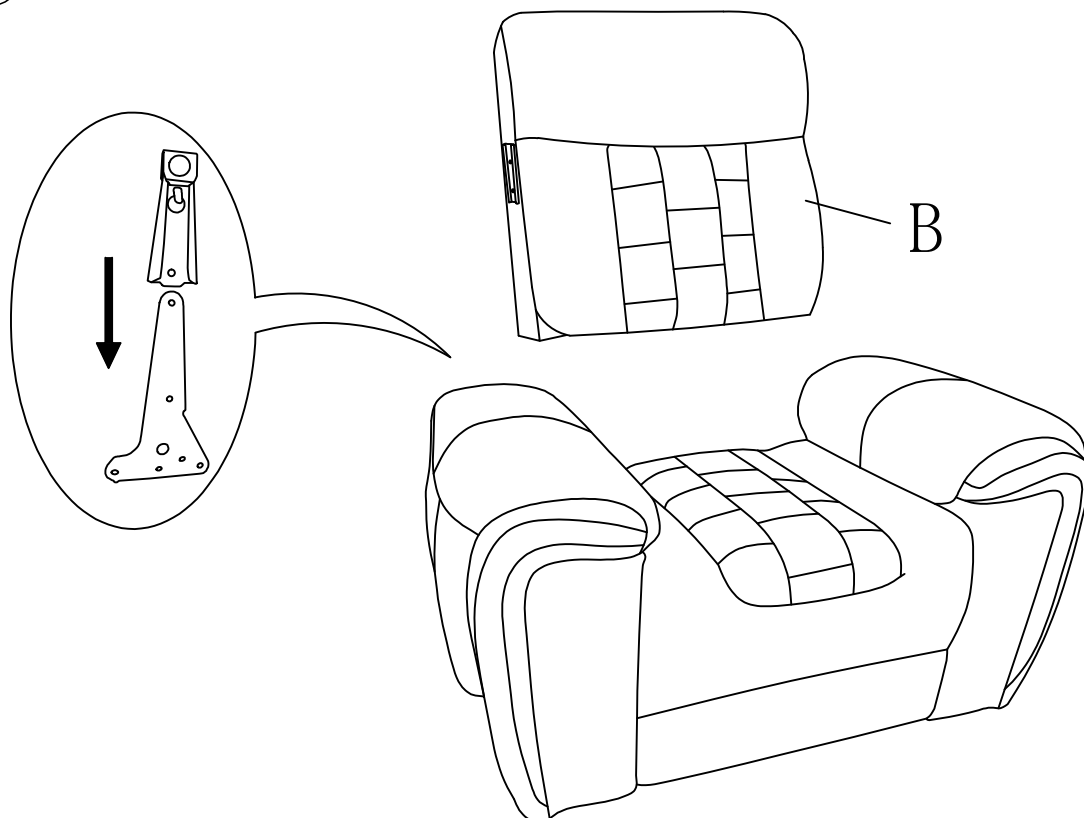


Please follow the drawings below to assemble the item

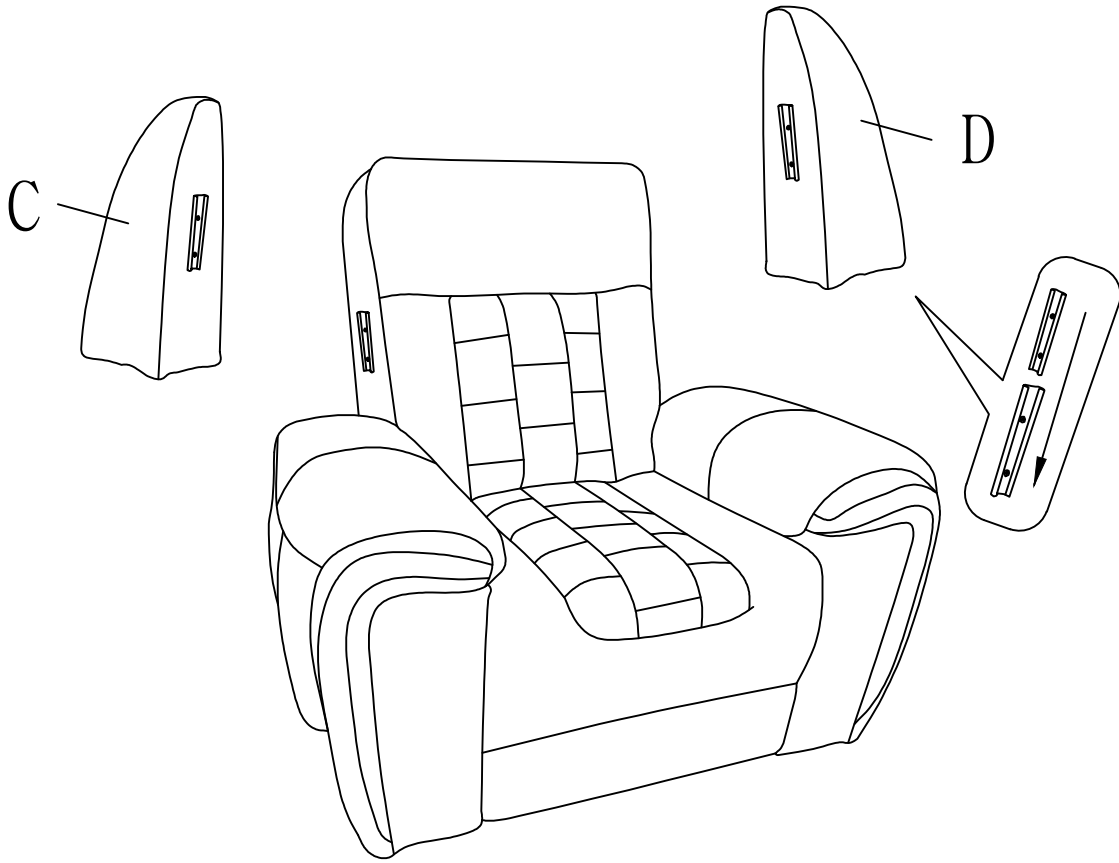
①



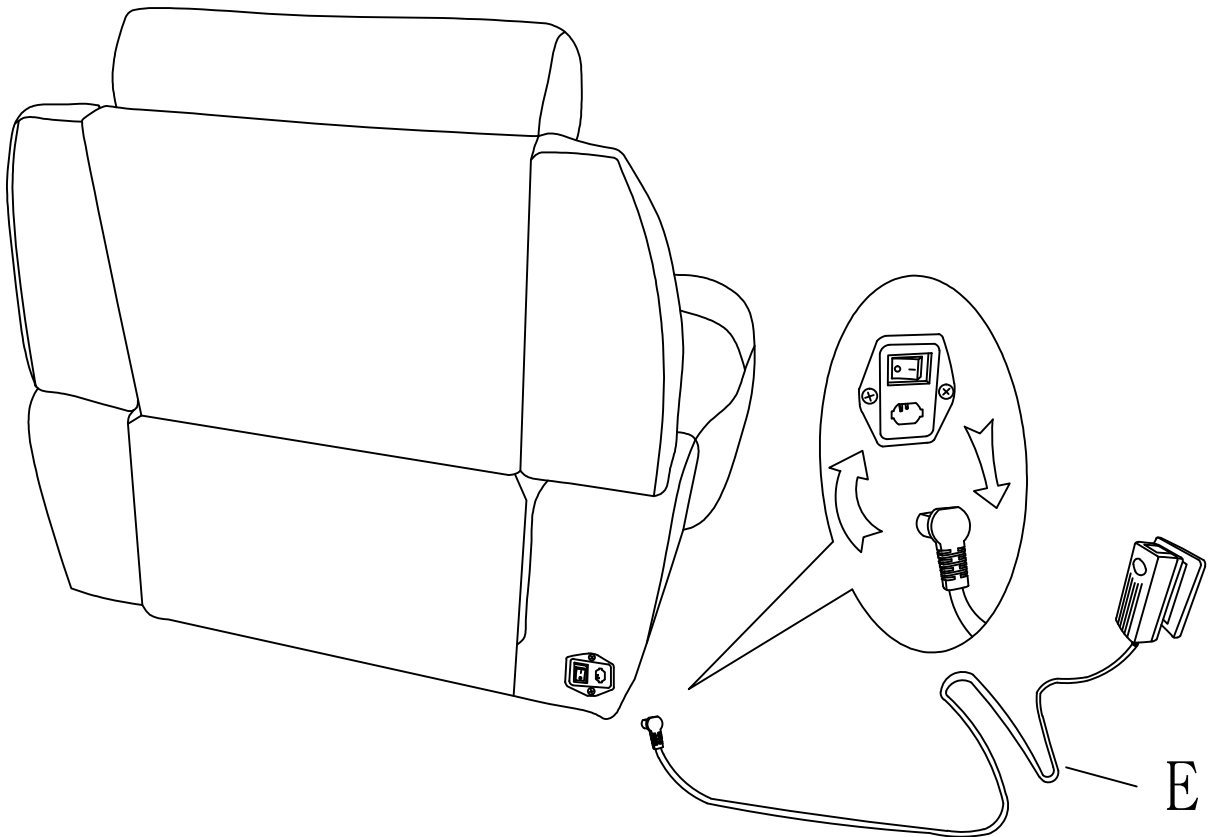
②



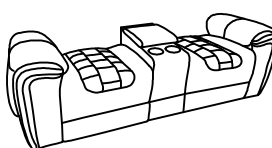
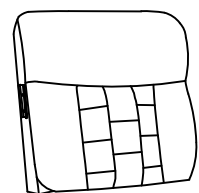

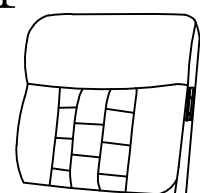

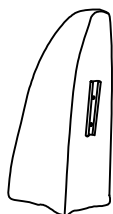

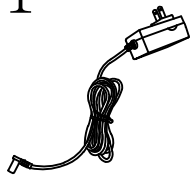
③

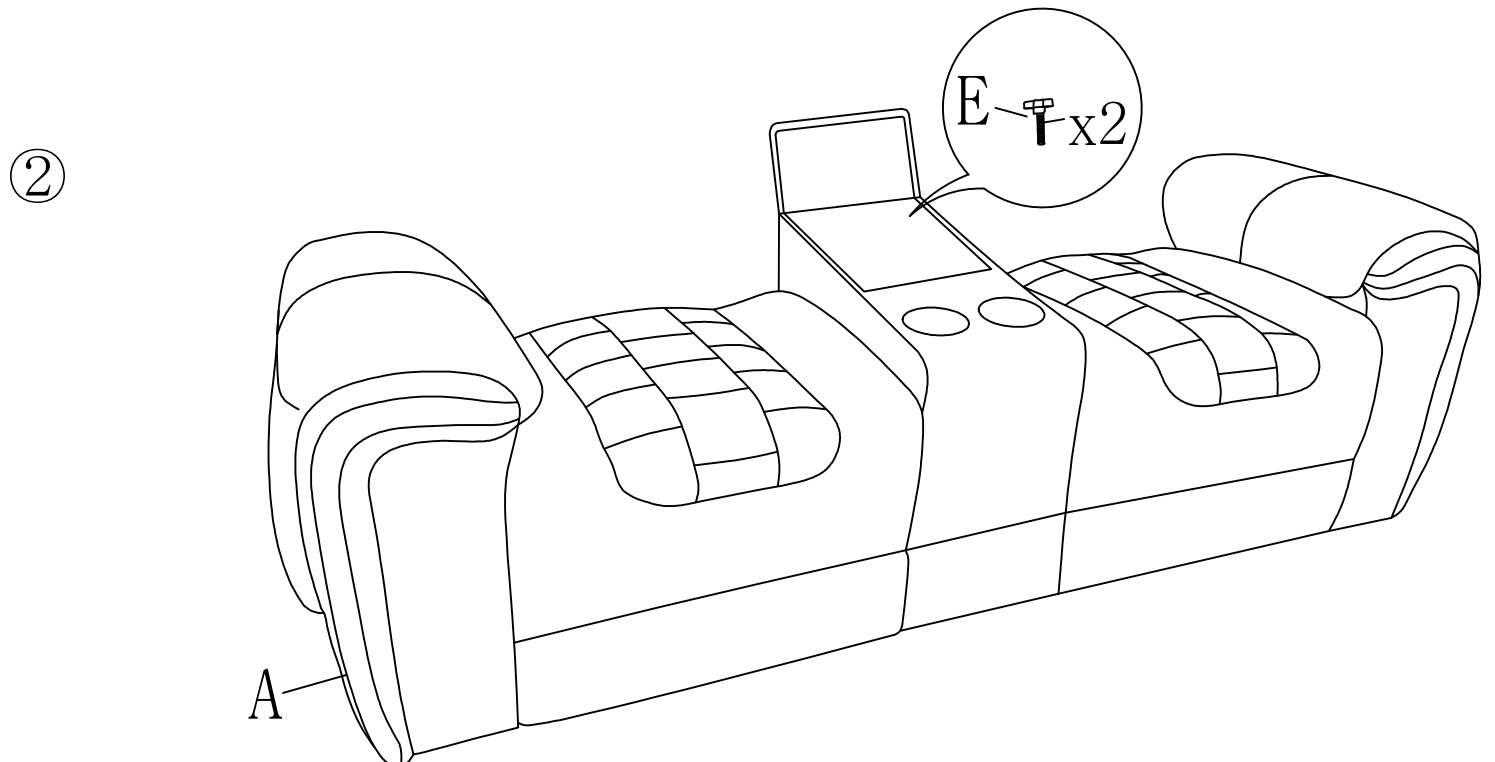
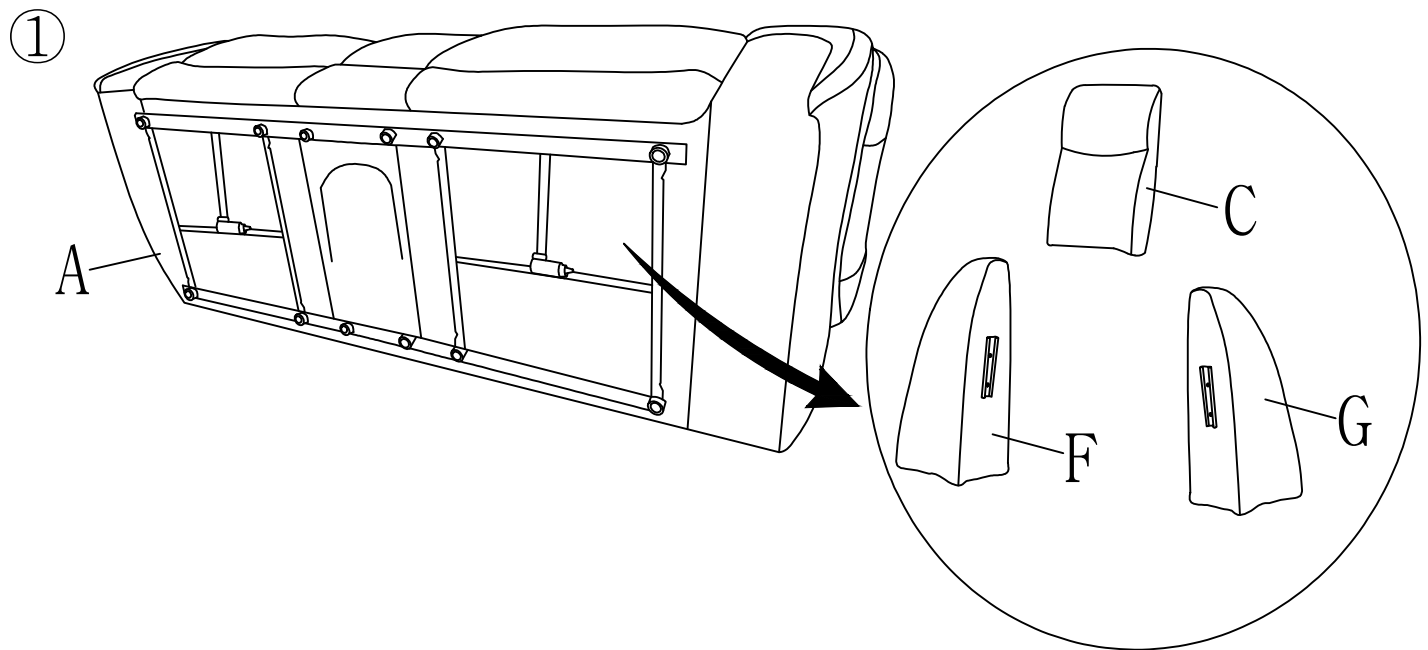


④

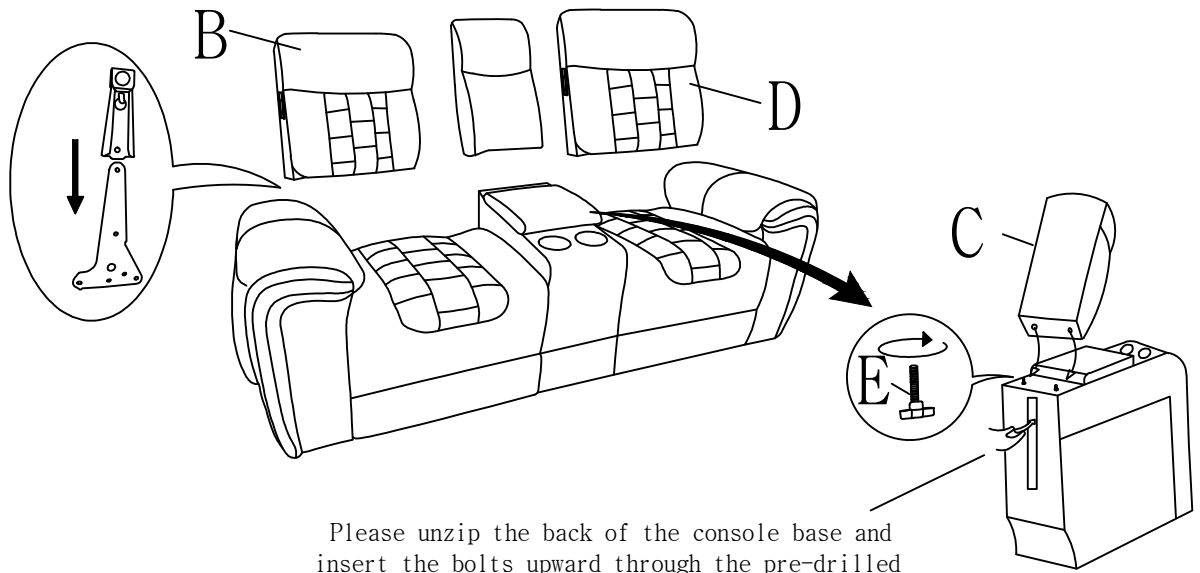


Assembly Instruction

A*1 	B*1 	C*1 	D*1 
E*2 	F*1 	G*1 	H*1 

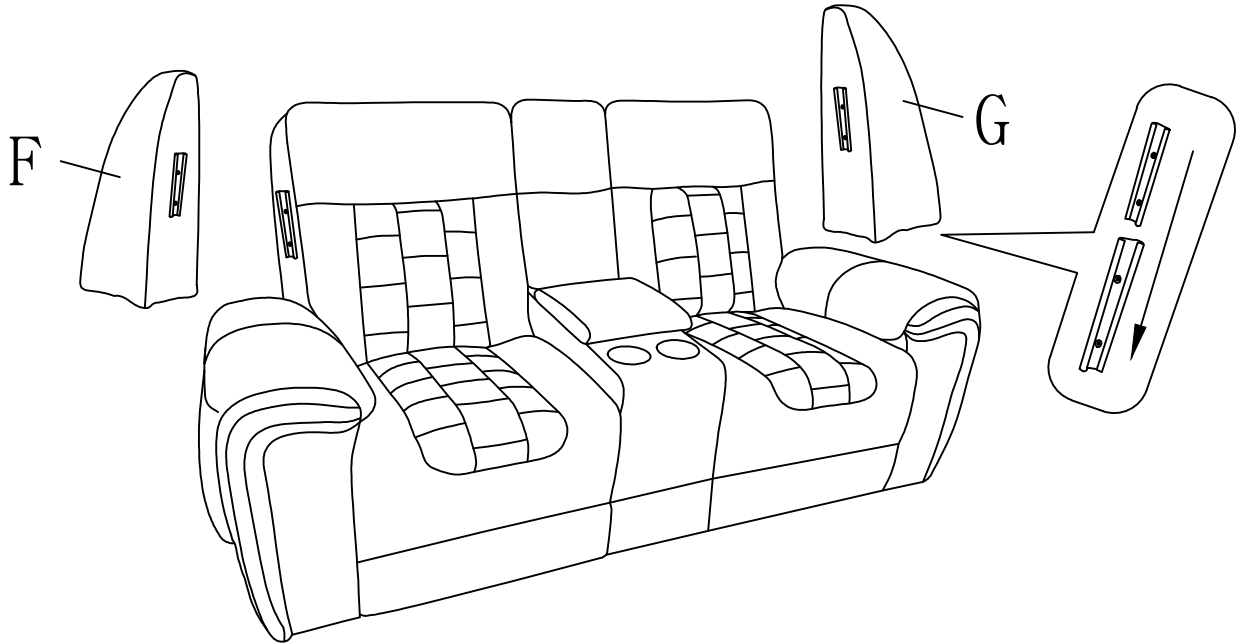


③

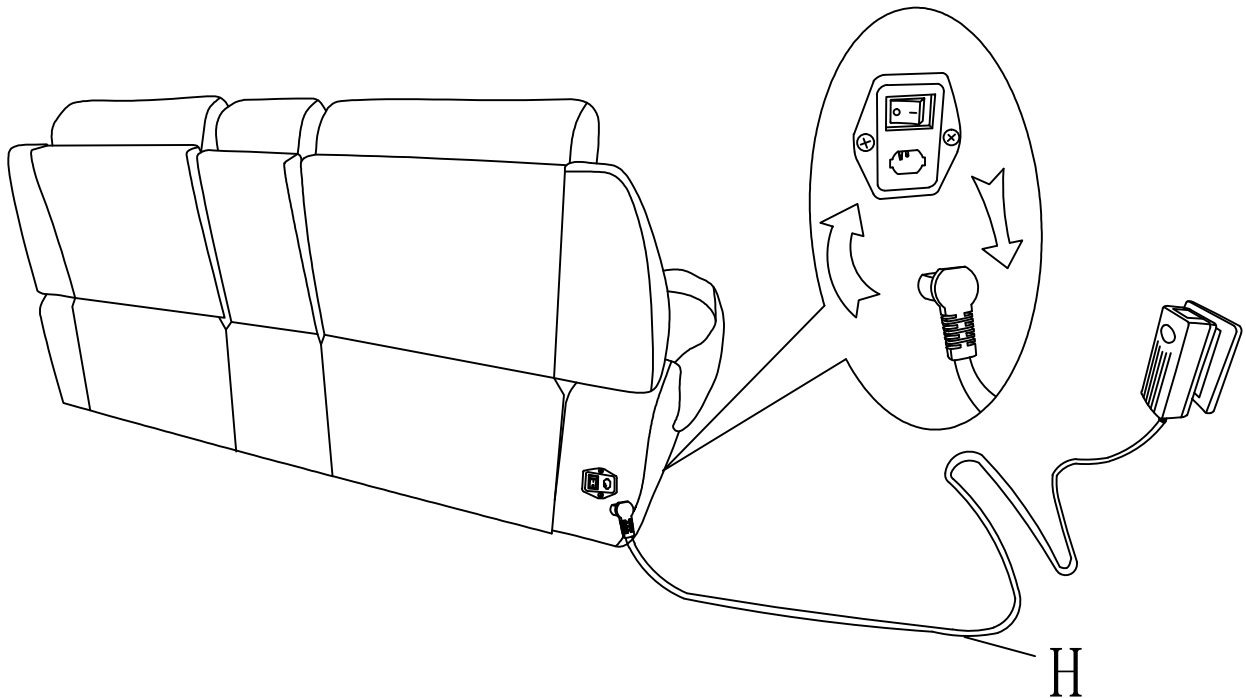


Please unzip the back of the console base and insert the bolts upward through the pre-drilled holes and align it through the holes on the bottom of the console back. Tighten each bolt by turning it counter-clockwise until the console back is secured in place.

④

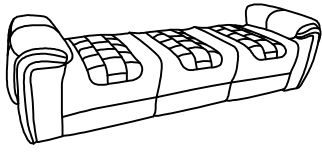


⑤

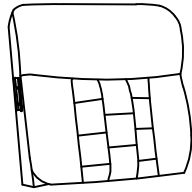


Assembly Instruction

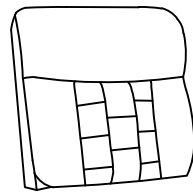
A*1



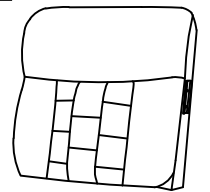
B*1



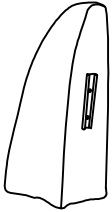
C*1



D*1



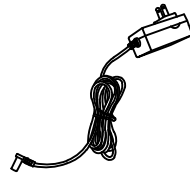
E*1



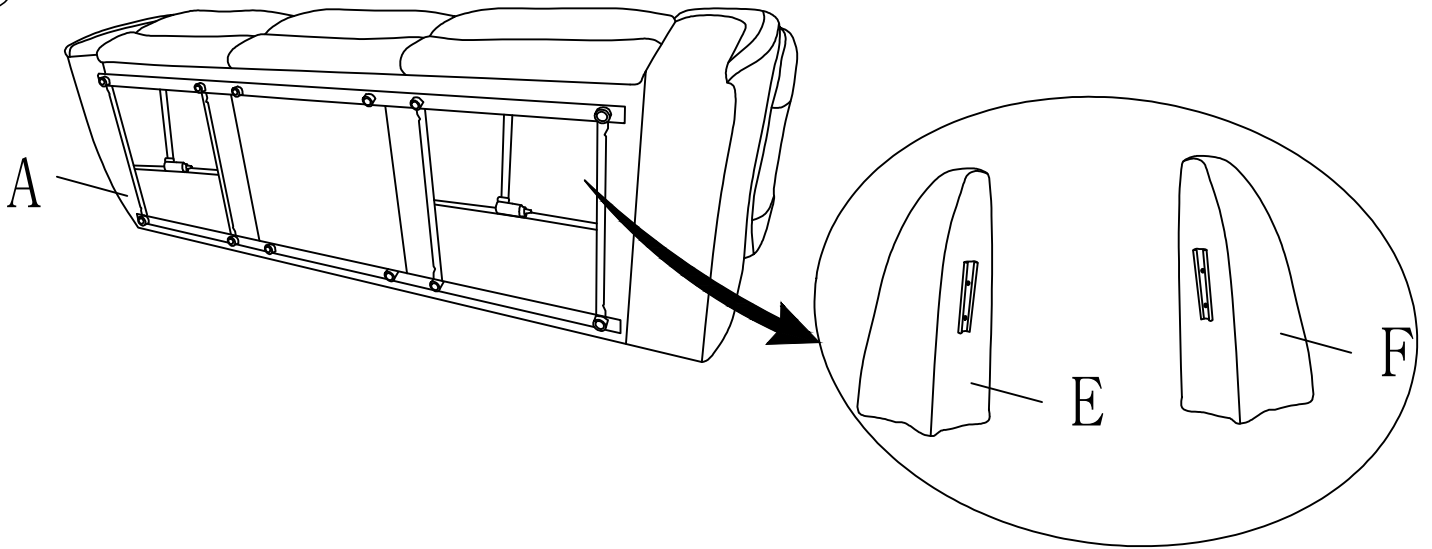
F*1



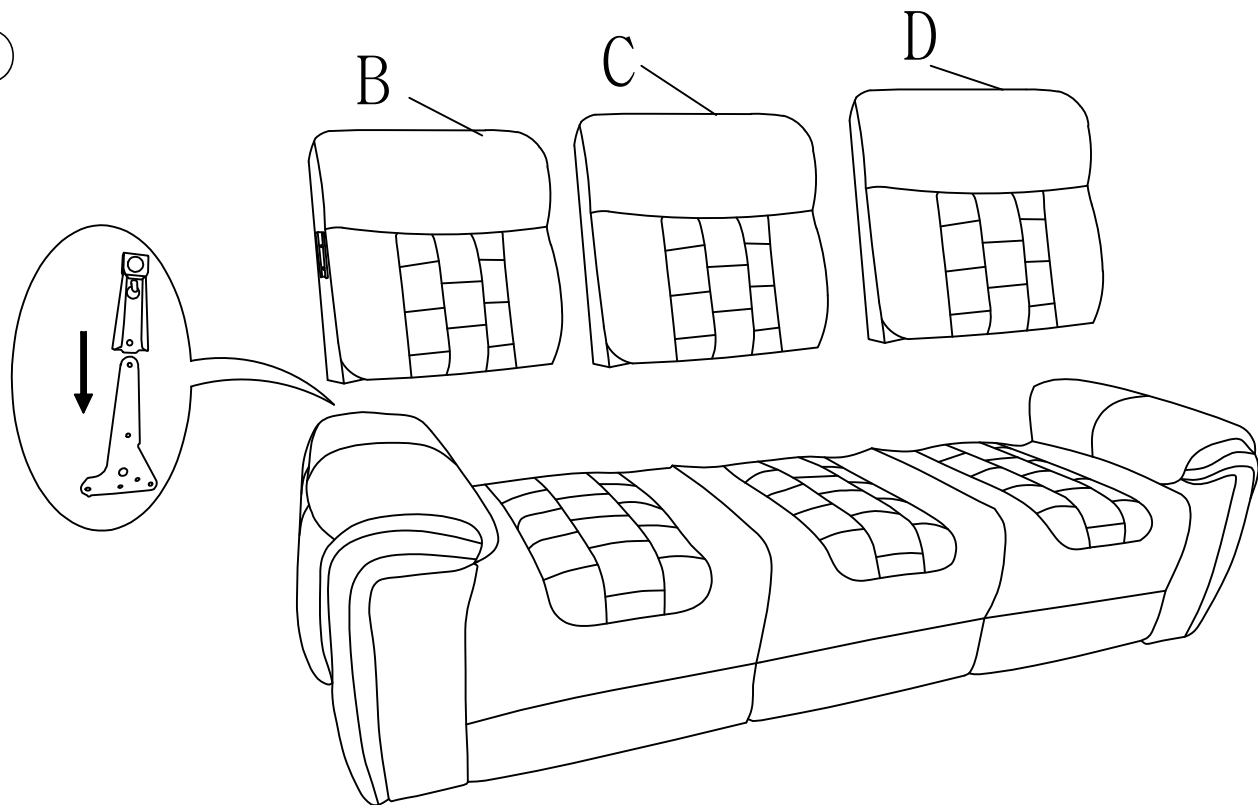
G*1



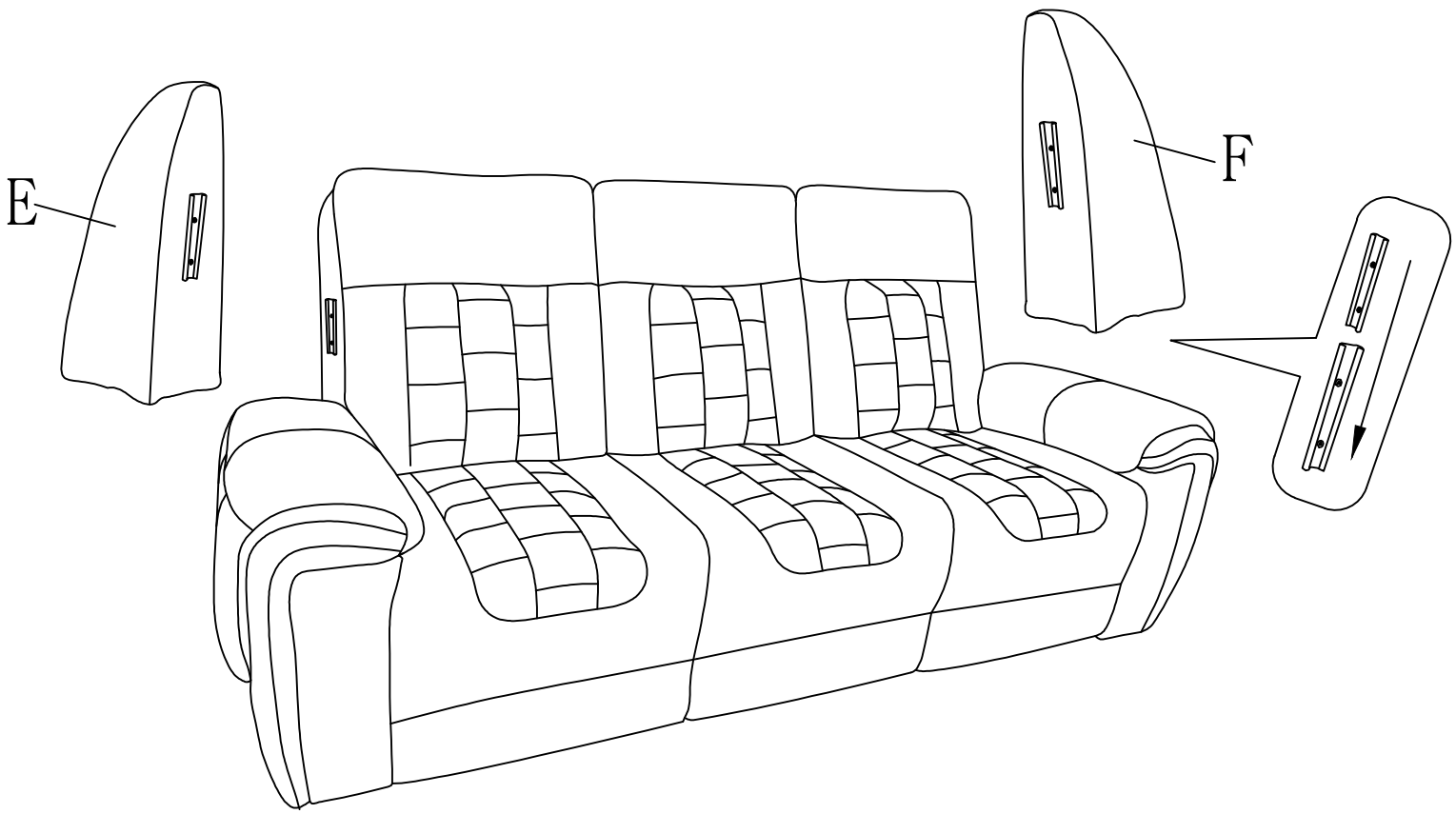
①



②



③



④

