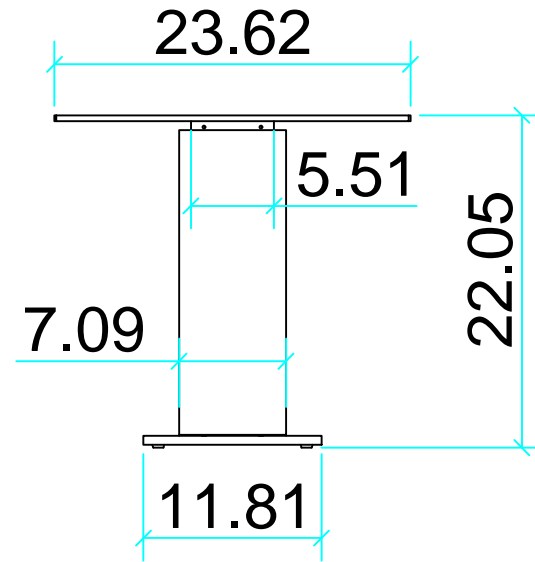
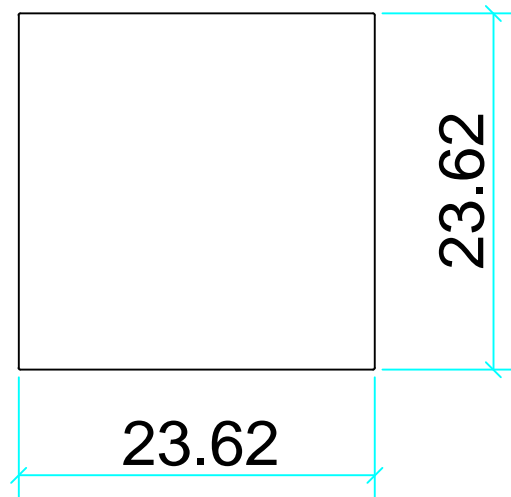


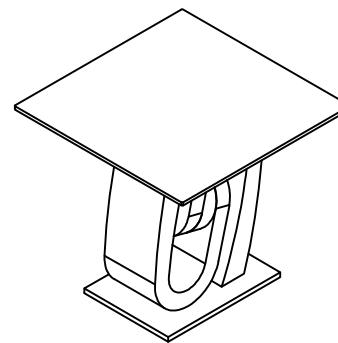
Front View



Side View



Top View



Isometric View