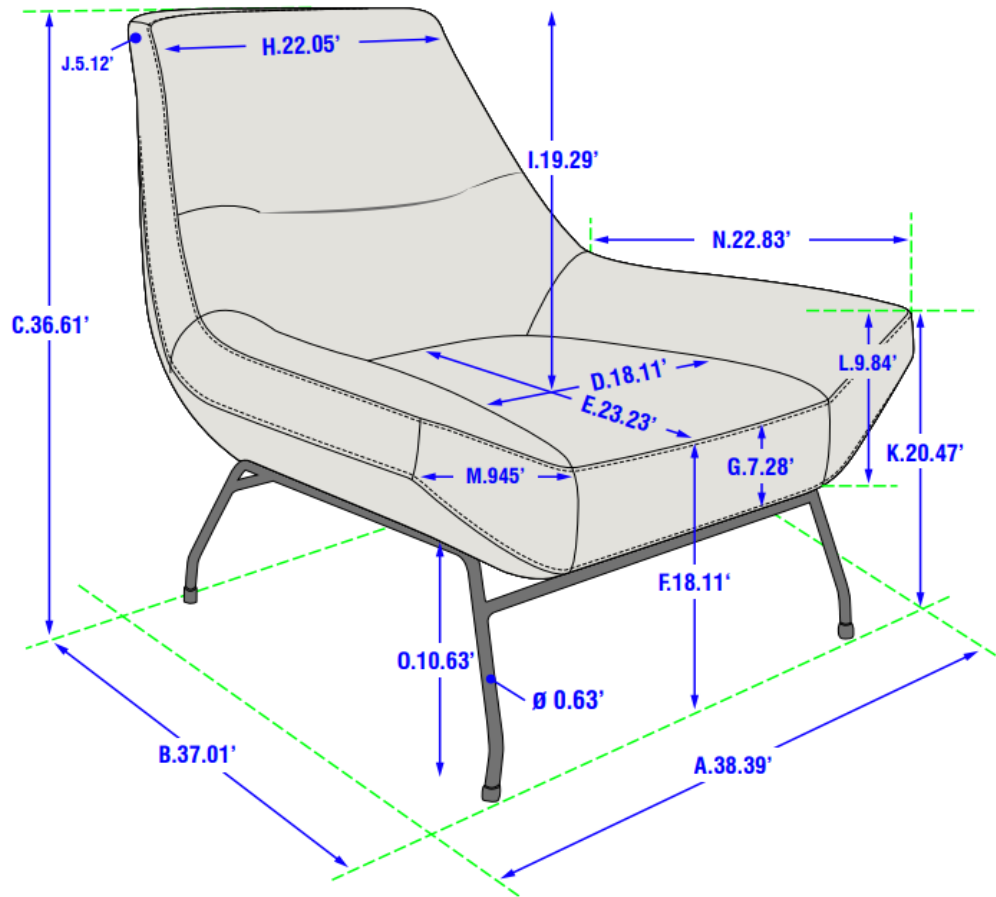


LINE DRAWING

Model : U8949



- A** Overall Width - Side to Side
- B** Overall Depth - Front to Back
- C** Overall Height - Top to Bottom
- D** Seat Width
- E** Seat Depth - Front to Back
- F** Seat Height - Floor to Seat
- G** Seat Cushion Height
- H** Back Width
- I** Back Height - Seat to Top of Back
- J** Back Thickness
- K** Arm Height - Floor to Arm
- L** Arm Height (Bottom to Arm)
- M** Arm Width - Side to Side
- N** Arm Depth
- O** Leg Height - Top to Bottom
- P** Beam Height