

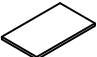


ASSEMBLY INSTRUCTION

Model : D02DT





Description : Dining Table

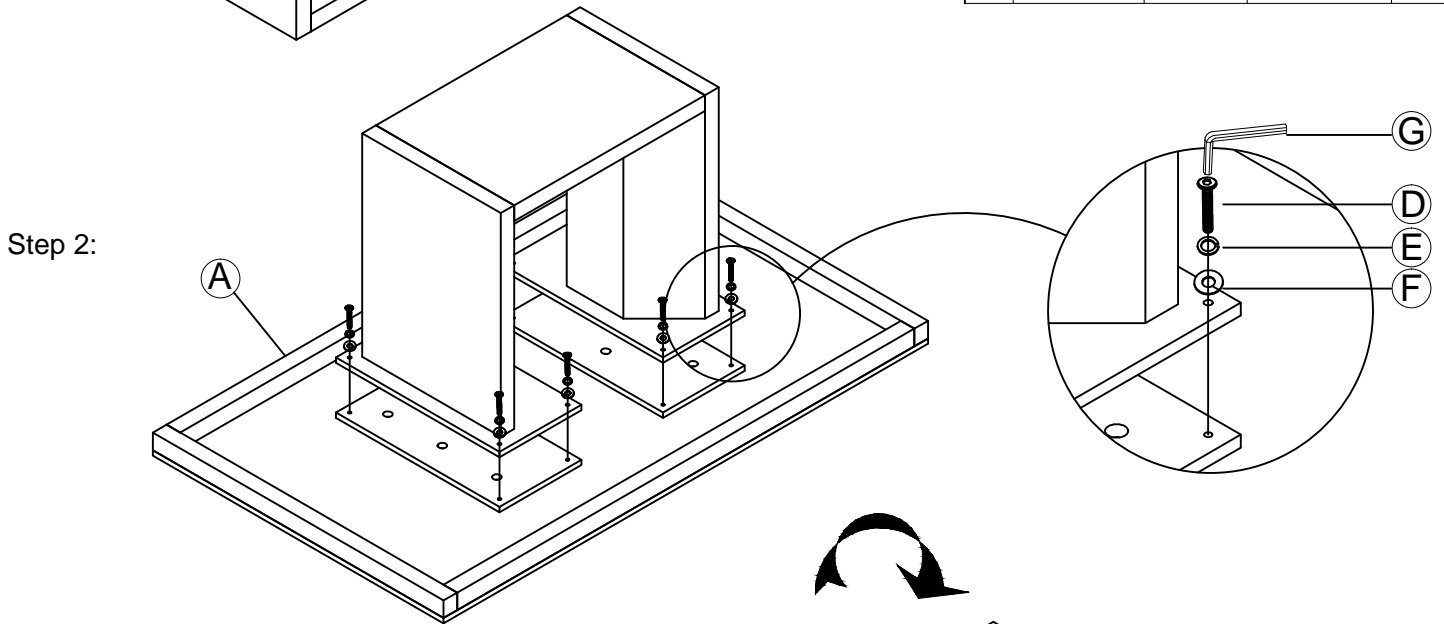
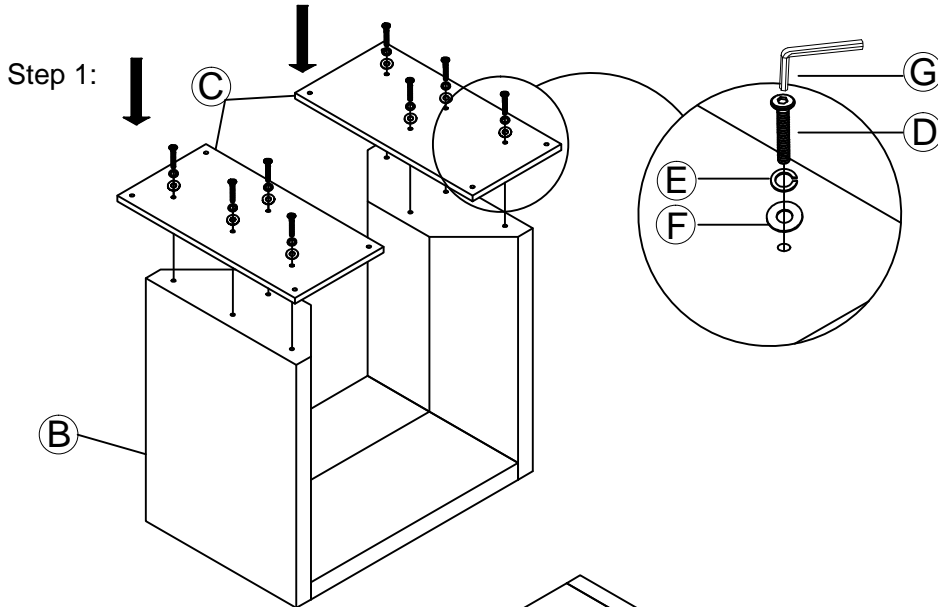
Thank you for purchasing this quality product. Be sure to check all packing material carefully for small parts that may have come loose inside the carton during shipment.

PART LIST:

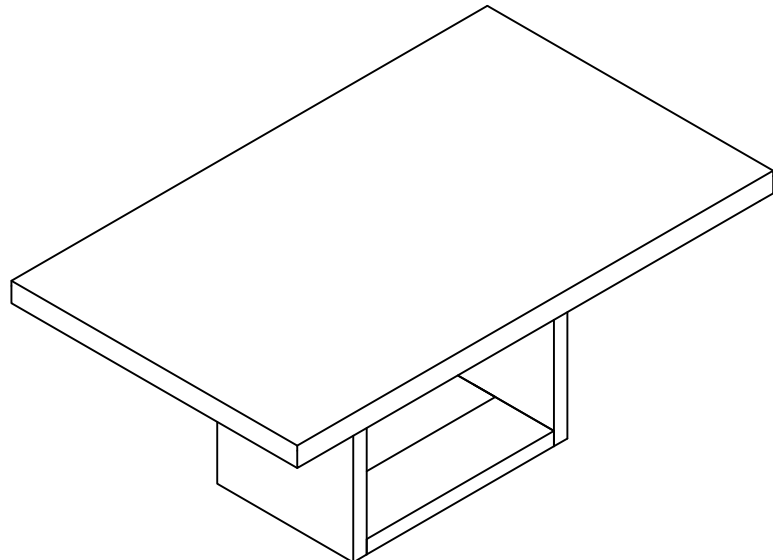
No.	Description	Diagram	Quantity
A	Table Top		1
B	Table Base		1
C	Connection Panel		2

HARDWARE LIST:

No.	Description	Diagram	size	Quantity
D	Bolt		Ø1/4" x 1-3/8"	16
E	Lock Washer		Ø1/4"	16
F	Flat Washer		Ø1/4"	16
G	Allen Key		M4	1



Finished



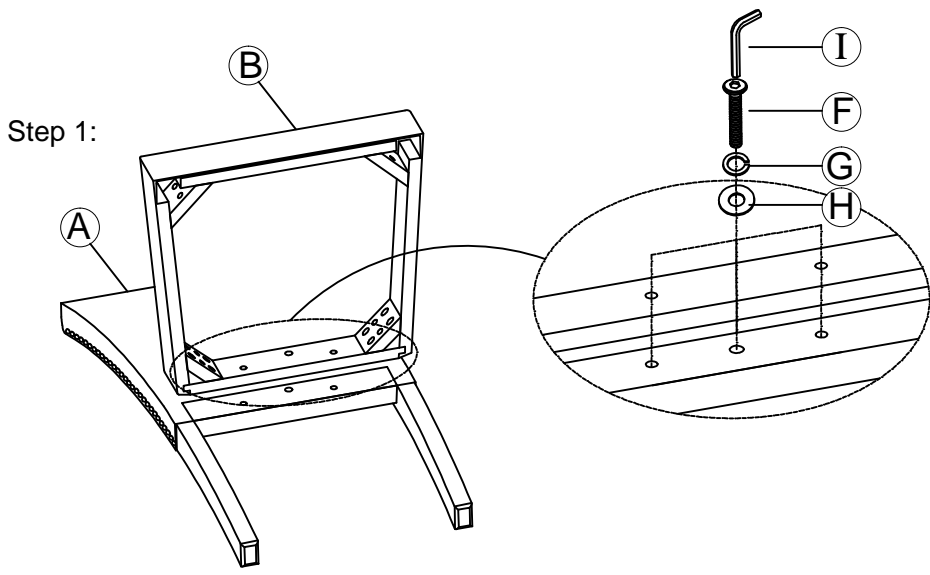
Made in Viet Nam

ASSEMBLY INSTRUCTION

Model : D03DC

Description : Dining Chair

Thank you for purchasing this quality product. Be sure to check all packing material carefully for small parts that may have come loose inside the carton during shipment.

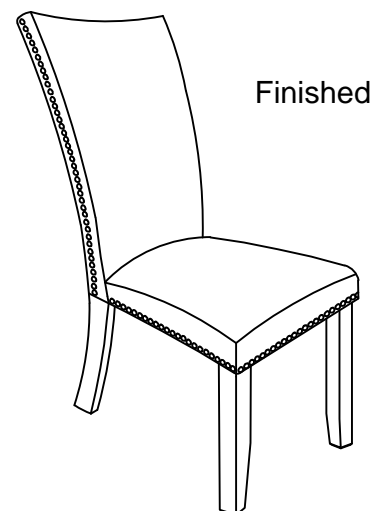
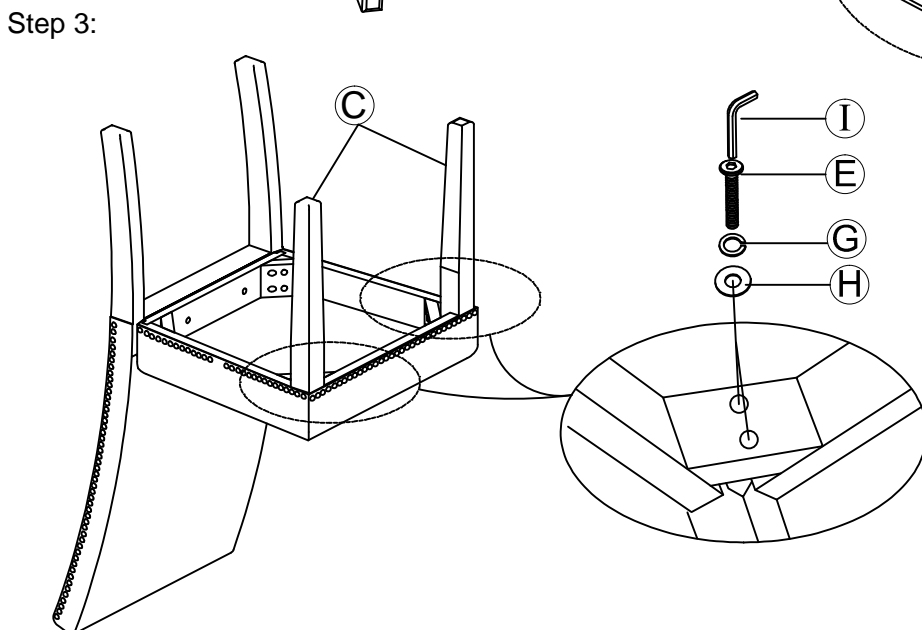
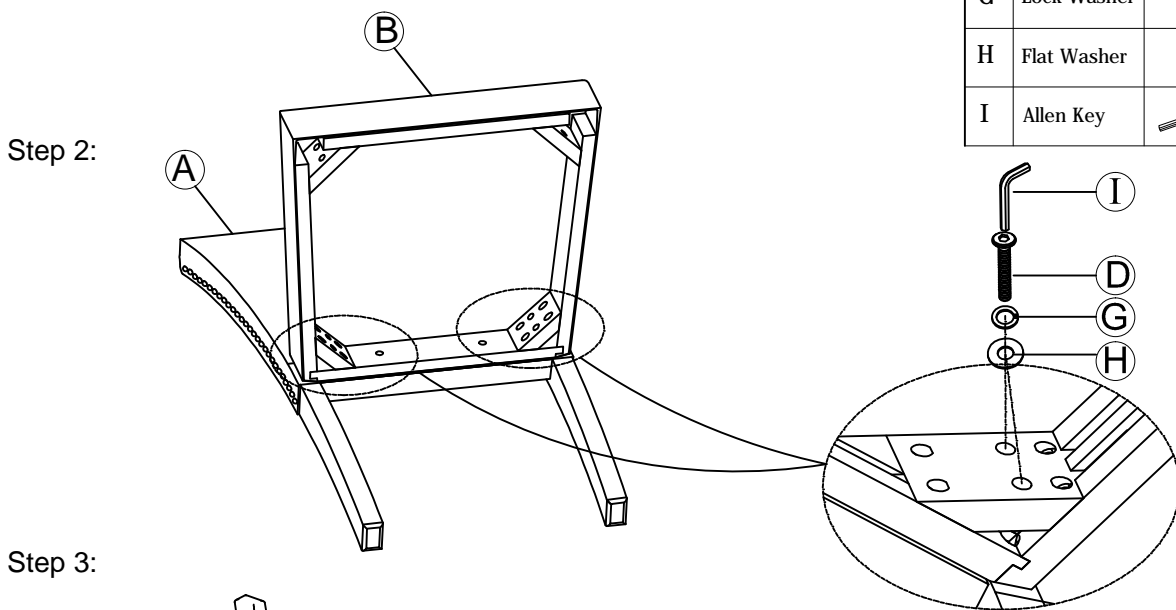


PART LIST:

No.	Description	Diagram	Quantity
A	Table Top		1
B	Table Base		1
C	Connection Panel		2

HARDWARE LIST:

No.	Description	Diagram	size	Quantity
D	Bolt		Ø1/4" x 3-1/4"	4
E	Bolt		Ø1/4" x 2-1/4"	4
F	Bolt		Ø1/4" x 1-1/2"	3
G	Lock Washer		Ø1/4"	11
H	Flat Washer		Ø1/4"	11
I	Allen Key		M4	1



Made in Viet Nam