




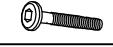


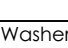


ASSEMBLY INSTRUCTIONS

**MODEL : 9024B
MONACO DINING CHAIR**

(Box 1)
BOX OF DINING CHAIR (X2)

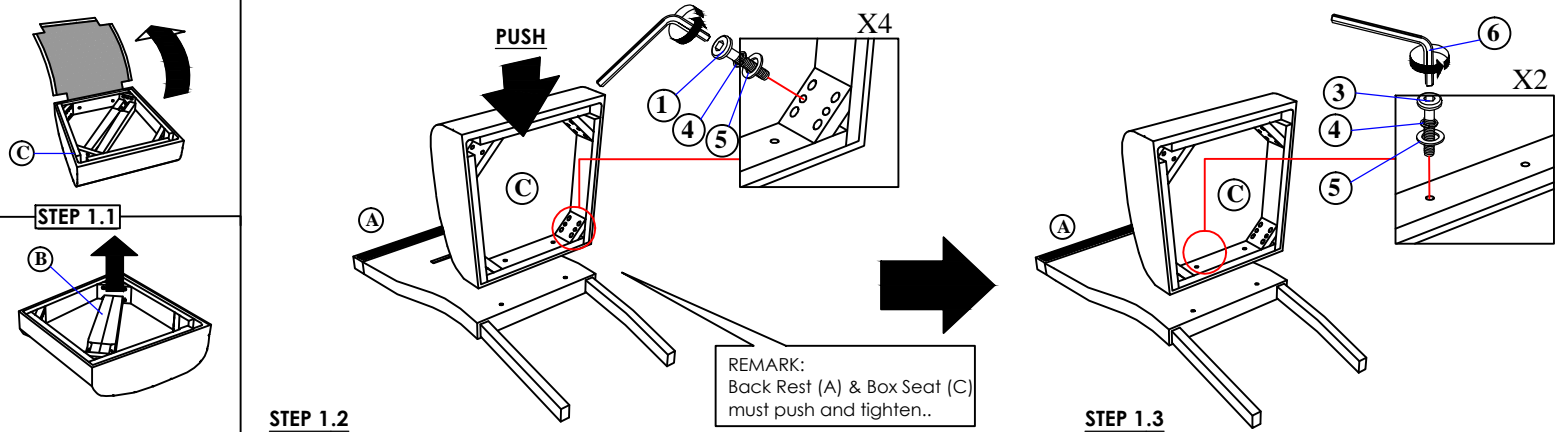
No	ITEM	Qty
A	Back Rest 	1 pcs
B	Front Leg 	2 pcs
C	Cusion Seat 	1 pcs

(Box 1)
HARDWARE LIST(X2)

No	ITEM	Qty
1	JCBB Bolt M8x80mm Blk 	4 pcs
2	JCBB Bolt M8x50mm Blk 	4 pcs
3	JCBB Bolt M8x40mm Blk 	2 pcs
4	Spring Washer M8 Blk 	10 pcs
5	Flat Washer M8 x 22 Blk 	10 pcs
6	Allen Key M5 	1 pcs

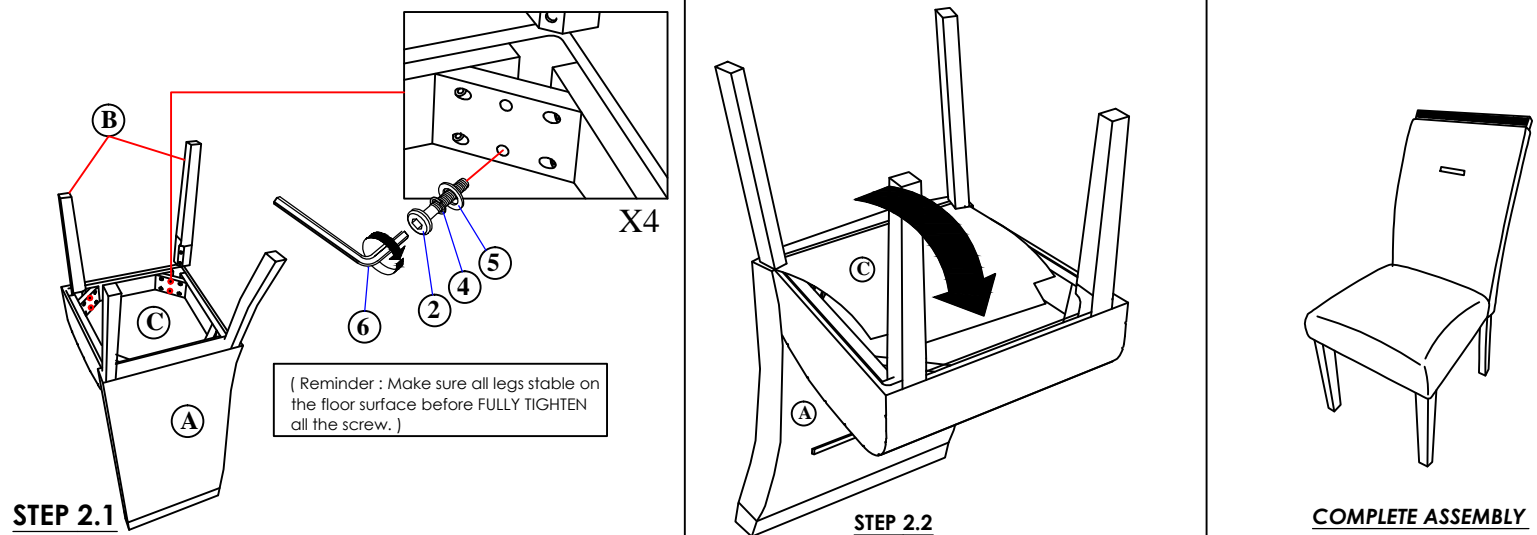
STEP 1.1 : Remove chair leg from the box seat (C) by open the bottom seat cover as shown.

STEP 1.2 : Align the cusion seat (C) to the Back Rest (A) by secure with JCBB Bolt (1) ,Spring Washer (4) & flat washer (5) and tighten them with Allen Key (6)
(DO NOT TIGHTEN BOLTS DURING THIS STEPS)



STEP 2.1 : Align Front Leg (B) into cusion seat (C) and fix with JCBB Bolt (2),Spring Washer (4),Flat Washer(5) tighten them with Allen Key(6) as shown.

STEP 2.2 : Closed down the cover of bottom cusion seat (C) after all parts completely fixed.



NOTE : MUST TIGHTEN SCREWS PERIODCALLY WITH USE SCREW WILL BECOME LOOSE CHECK TIGHTNESS OF ALL SCREW EVERY 6-8 WEEKS.

ASSEMBLY INSTRUCTIONS

MODEL : 8030A MONACO DINING TABLE

(BOX 1)

BOX OF DINING TABLE

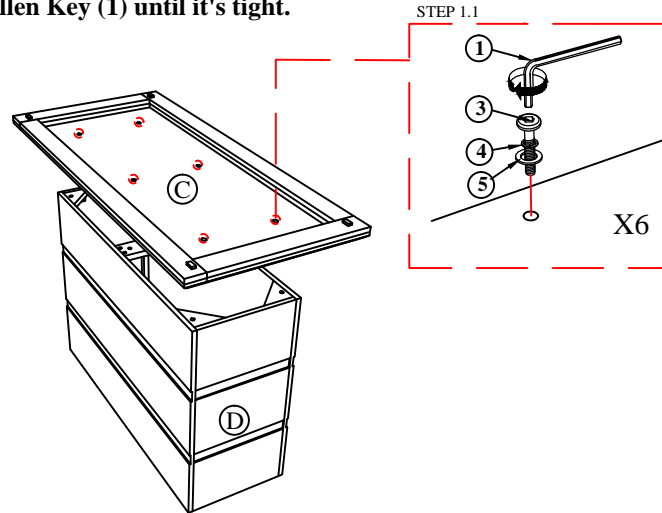
NO	ITEM	QTY
A	TABLE TOP	1 PC
B	CENTER PANEL	1 PC
C	TABLE BOTTOM	1 PC
D	TABLE LEG	1PC

(BOX 1)

HARDWARE LIST

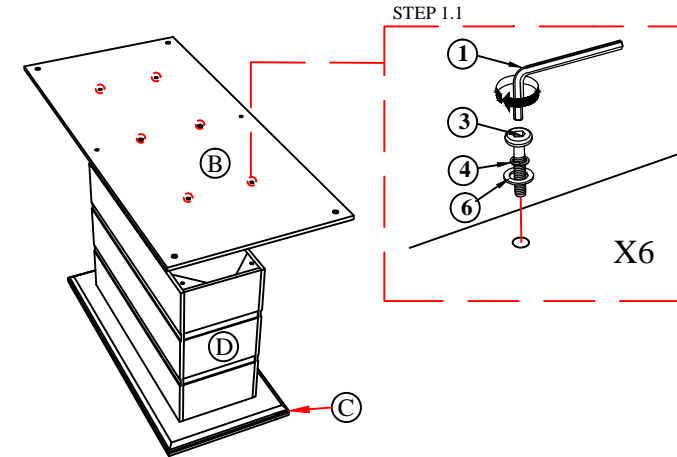
No	ITEM	Qty
1	Allen Key M4 X 65mm	1 pcs
2	JCBC Bolt m6x25mm Blk	6 pcs
3	JCBC Bolt m6x35mm	12 pcs
4	Spring Washer 1/4" Blk	18 pcs
5	Flat Washer 1/4"Dx19mmOD Blk	6 pc
6	Flat Washer 1/4"Dx13mmOD Blk	12 pc

STEP 1 : Place the Table Bottom (C) on the Table Leg (D), fasten it the JCBC Bolt (3) together with Spring Washer (4) & Flat Washer (5) use an Allen Key (1) until it's tight.

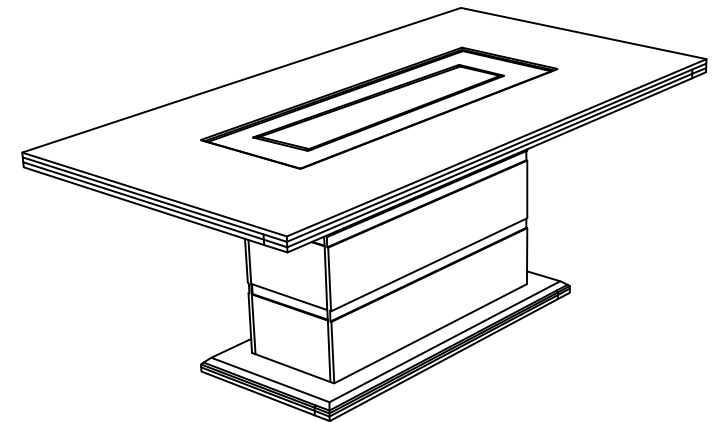
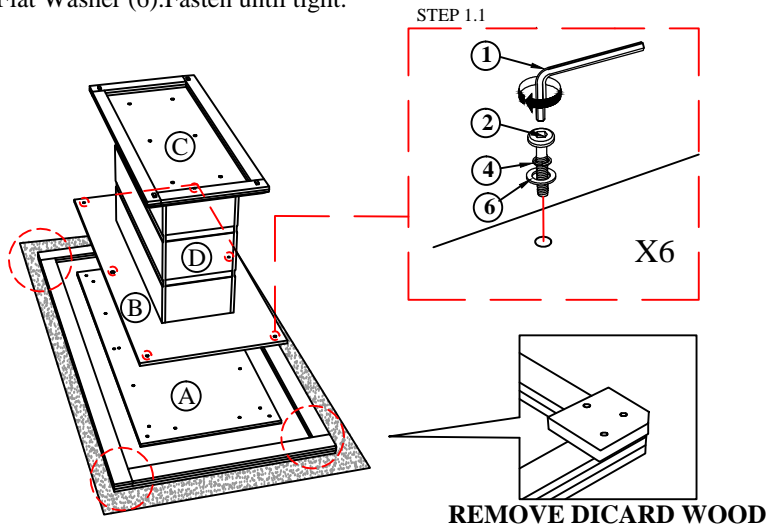


STEP 2 :

Turn it upside down and place the Center Panel (B) on the Table Leg (D), fasten it the JCBC Bolts (3) together with Spring Washers (4) & Flat Washers (6) using an Allen Key (1) until tight.



STEP 3 : Place the Table Top (A) upside down on a soft surface, then turn the Table Leg upside down and place it under the Table Top (A) as shown below. fasten the screw JCBC Bolt (2) together with Spring Washer (4) & Flat Washer (6). Fasten until tight.



COMPLETED ASSEMBLY