

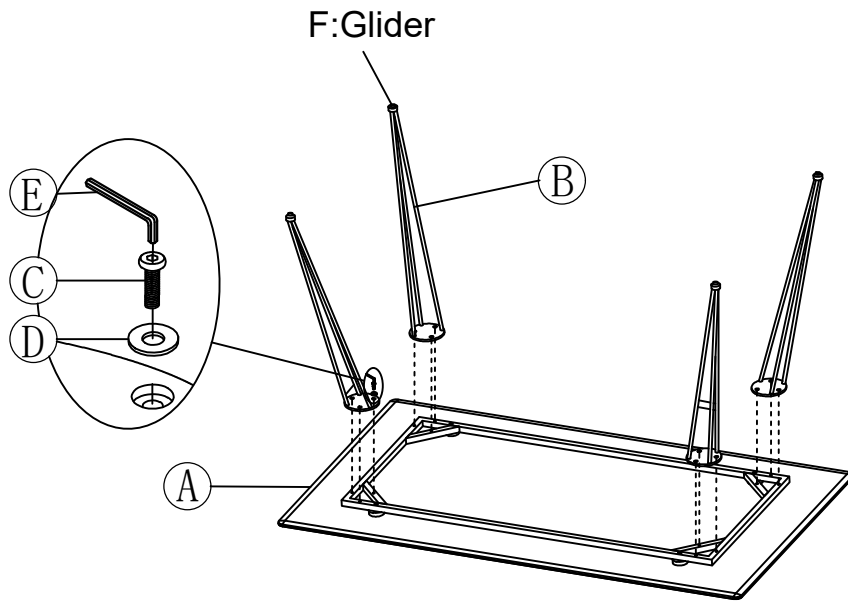
ASSEMBLY INSTRUCTION

Model : D90102DT

Description : DINING TABLE

Thank you for purchasing this quality product. Be sure to check all packing material carefully for small parts that may have come loose inside the carton during shipment.

Step 1:



PART LIST :

No.	Description	Diagram	Quantity
A	Table glass top		1
B	Table leg		4

HARDWARE LIST :

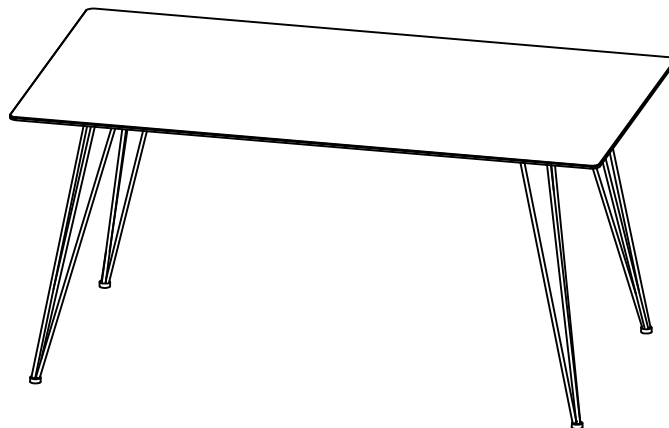
Located in carton 2 of 2
(D90102DT-LEG)

No.	Description	Diagram	Size	Quantity
C	Bolt		M8 x 20mm	12
D	Flat washer		Ø20xØ10x2mm	12
E	Allen key		M5	1

PREFIX HARDWARE :

F	Glider		4
---	--------	--	---

Finished



Made In China

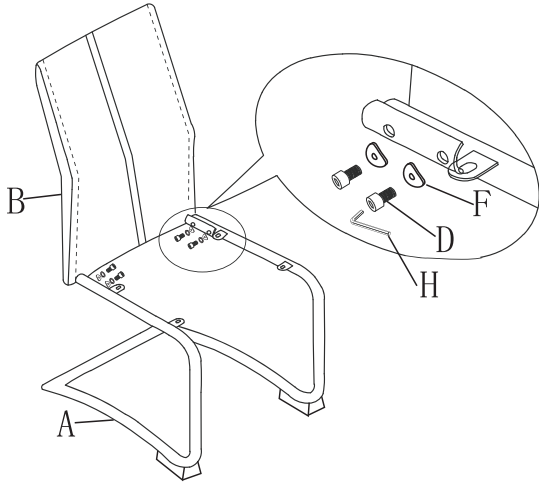
ASSEMBLY INSTRUCTION

Model:D41DC

Description:Dining Chair

Thank you for purchasing this quality product. Be sure to check all packing material carefully for small parts that may have come loose inside the carton during shipment.

Step 1:



Firstly, fix the backrest with the chair leg but do not fully tighten the bolt(D).

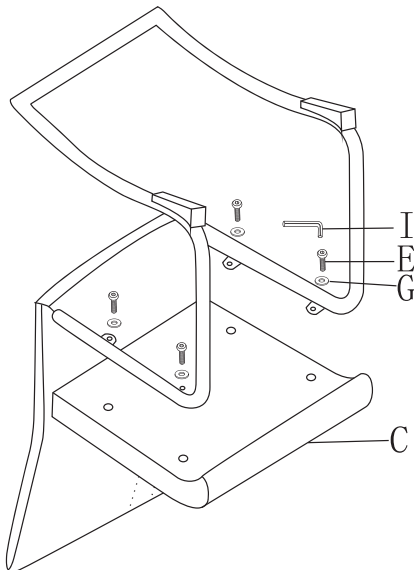
PART LIST:

NO.	Description	Diagram	Quantity
A	Chair leg		1
B	Chair backrest		1
C	Chair seat		1

HARDWARE LIST:

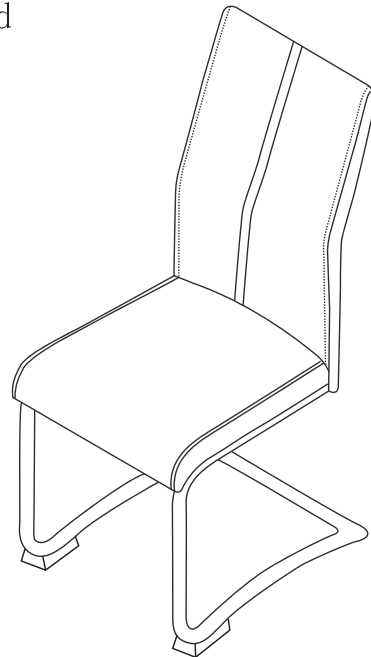
NO.	Description	Diagram	Size	Quantity
D	Bolt		M8X20	4
E	Bolt		M6X16	4
F	Flat washer		M8X22	4
G	Flat washer		M6X16	4
H	Allen key		M6	1
I	Allen key		M4	1

Step 2:



Assemble the chair seat with the chair leg but do not fully tighten the bolt(E).

Finished



Finally, lean the chair with extra care and tighten the bolt.(D&E).

Made In China