

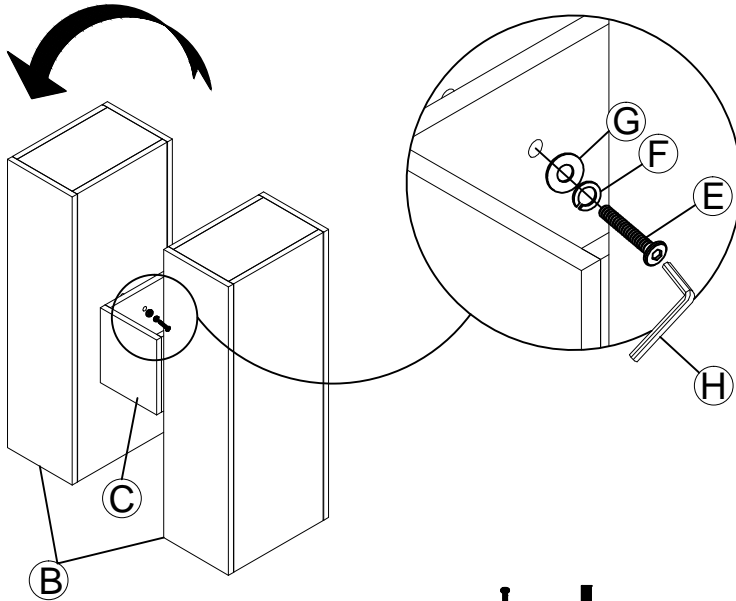
ASSEMBLY INSTRUCTION

Model : D04BT

Description : Bar Table

Thank you for purchasing this quality product. Be sure to check all packing material carefully for small parts that may have come loose inside the carton during shipment.

Step 1:



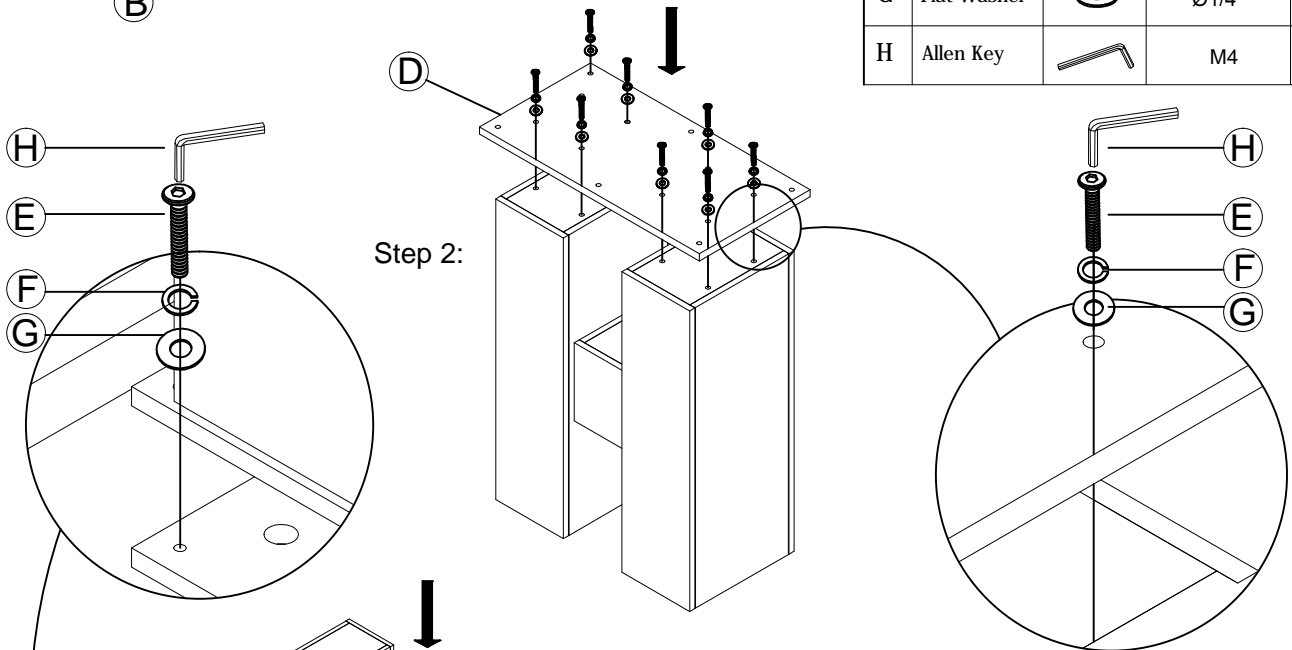
PART LIST:

No.	Description	Diagram	Quantity
A	Table Top		1
B	Table Legs		4
C	Connection Box		2
D	Connection Panel		2

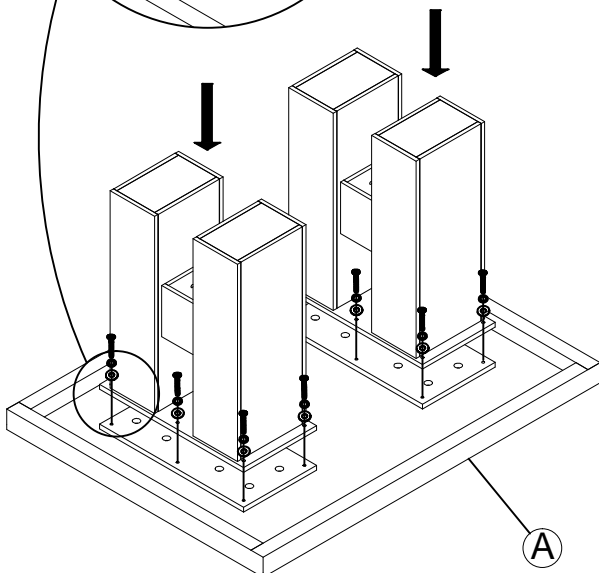
HARDWARE LIST:

No.	Description	Diagram	size	Quantity
E	Bolt		Ø1/4" x 1-3/8"	36
F	Lock Washer		Ø1/4"	36
G	Flat Washer		Ø1/4"	36
H	Allen Key		M4	1

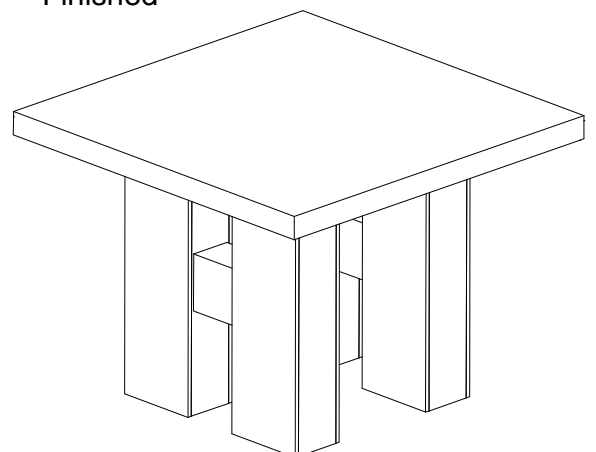
Step 2:



Step 3:



Finished



Made in Viet Nam

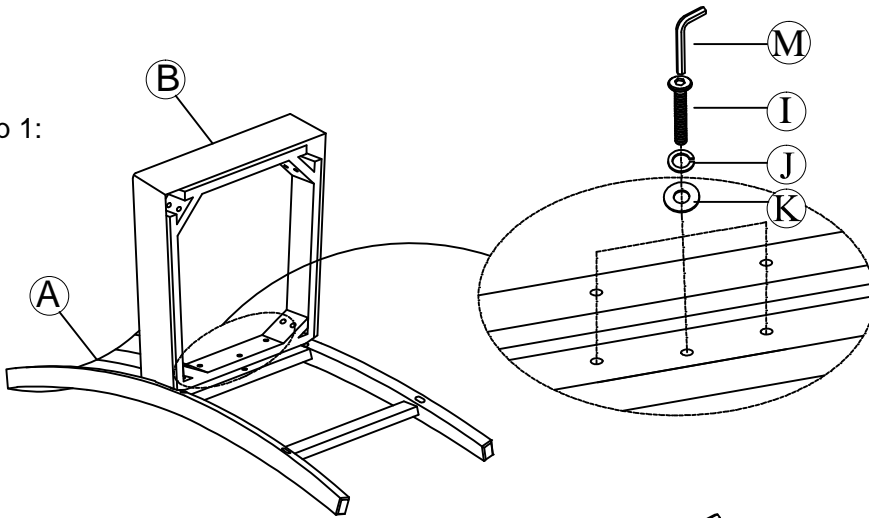
ASSEMBLY INSTRUCTION

Model : D8685BS

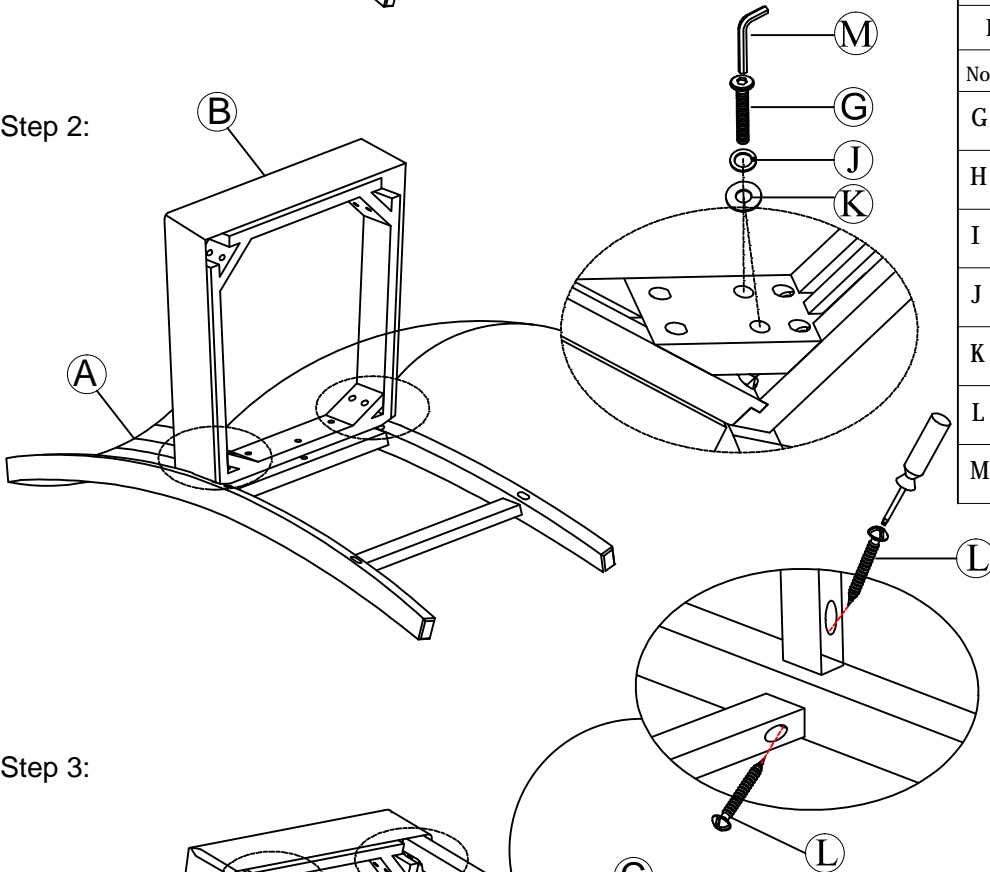
Description : Bar Stool

Thank you for purchasing this quality product. Be sure to check all packing material carefully for small parts that may have come loose inside the carton during shipment.

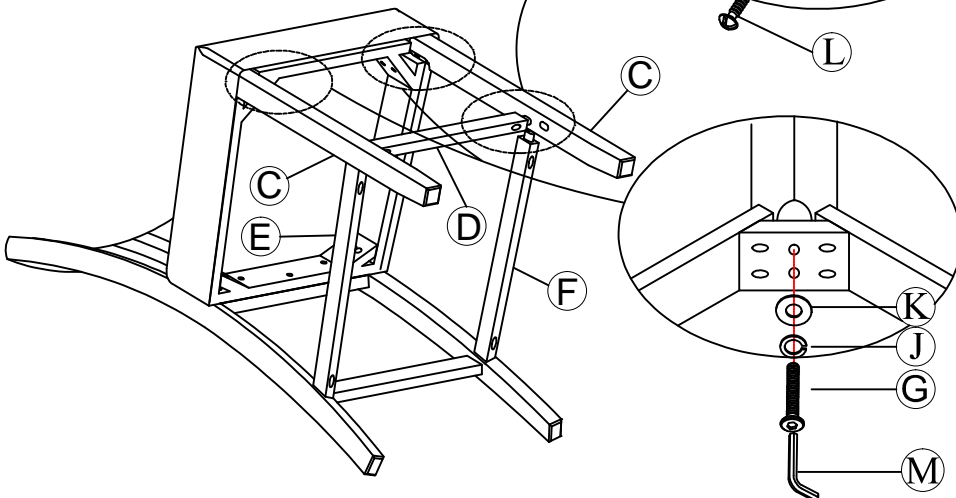
Step 1:



Step 2:



Step 3:

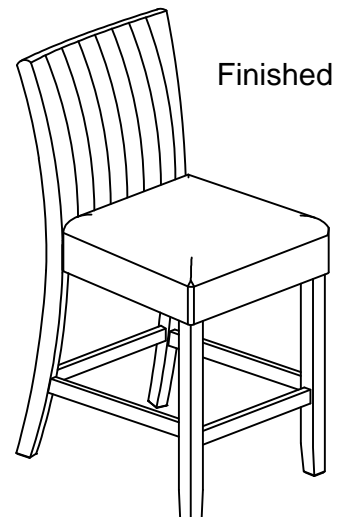


PART LIST:

No.	Description	Diagram	Quantity
A	Chair Back		1
B	Seat Cushion		1
C	Chair Legs		2
D	Front Stretcher		1
E	Left Stretcher		1
F	Right Stretcher		1

HARDWARE LIST:

No.	Description	Diagram	size	Quantity
G	Bolt		Ø5/16" x 3-1/4"	4
H	Bolt		Ø5/16" x 2-3/8"	4
I	Bolt		Ø5/16" x 1-3/4"	3
J	Lock Washer		Ø5/16"	11
K	Flat Washer		Ø5/16"	11
L	Screw		M3*1-1/2"	6
M	Allen Key		M5	1



Made in Viet Nam