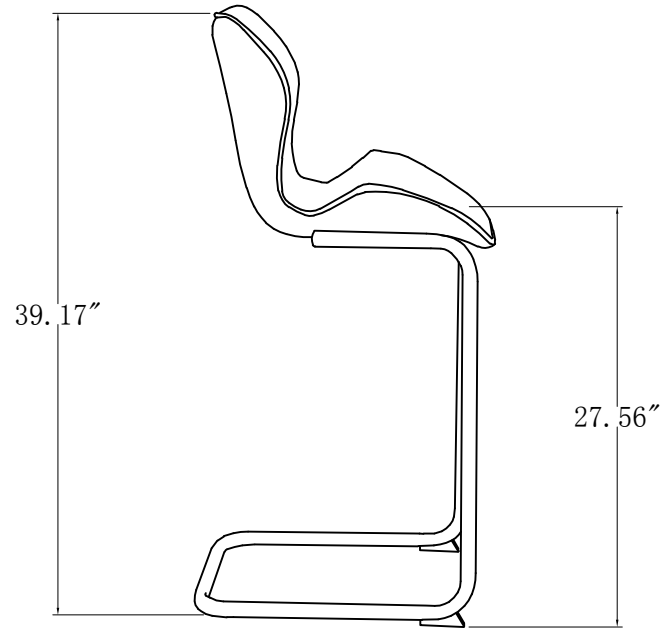
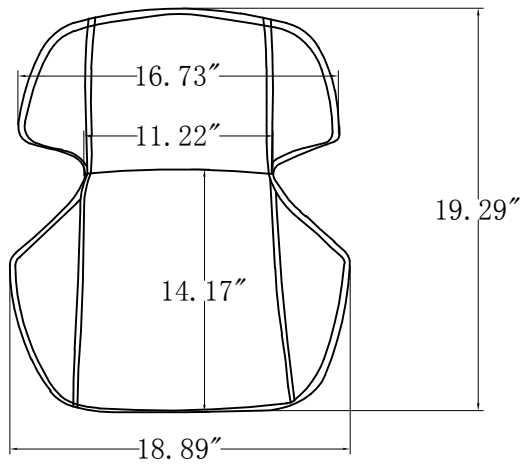


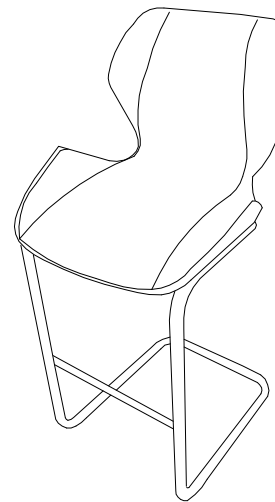
Front View



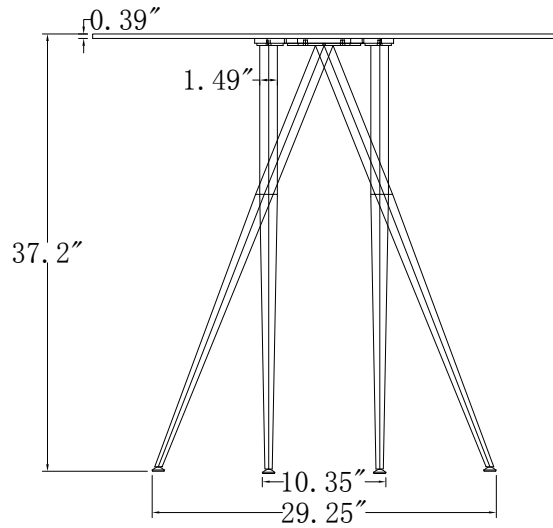
Side View



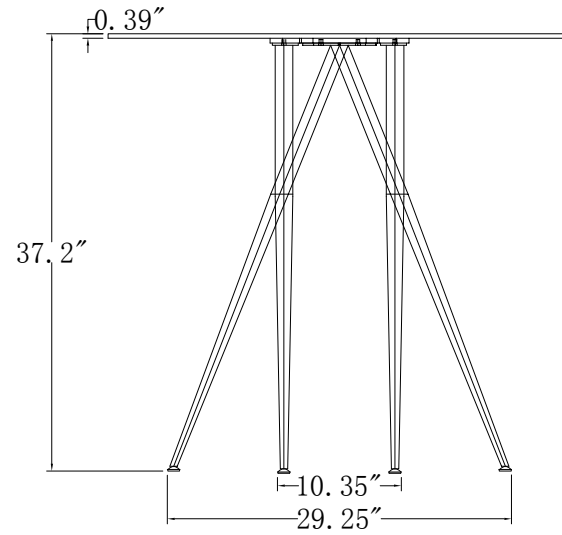
Top View



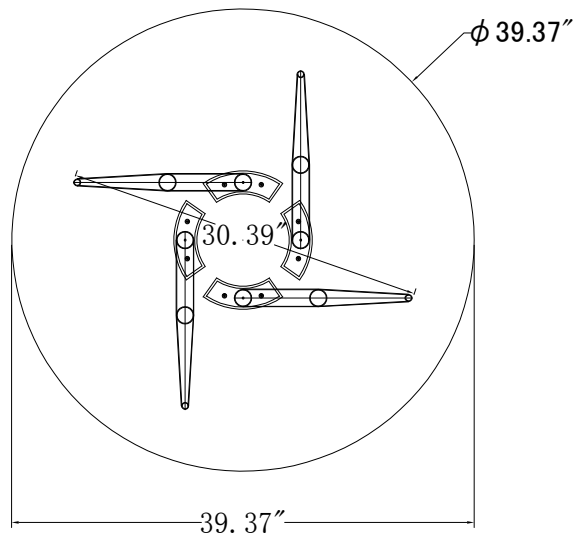
Isometrie View



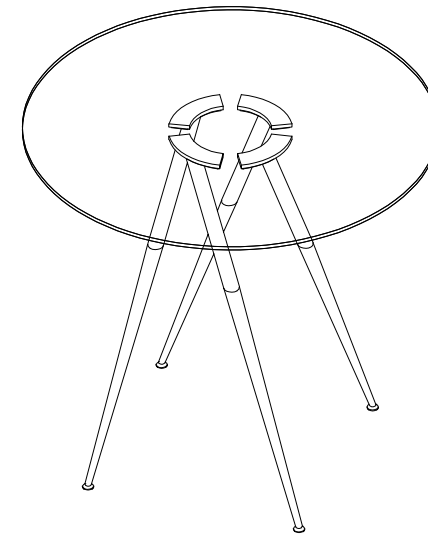
Front View



Side View



Top View



Isometrie View