




ASSEMBLY INSTRUCTIONS

**MODEL : 9024B
MONACO DINING CHAIR**






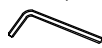
(Box 1)

BOX OF DINING CHAIR (X2)

No	ITEM	Qty
A	Back Rest 	1 pcs
B	Front Leg 	2 pcs
C	Cusion Seat 	1 pcs

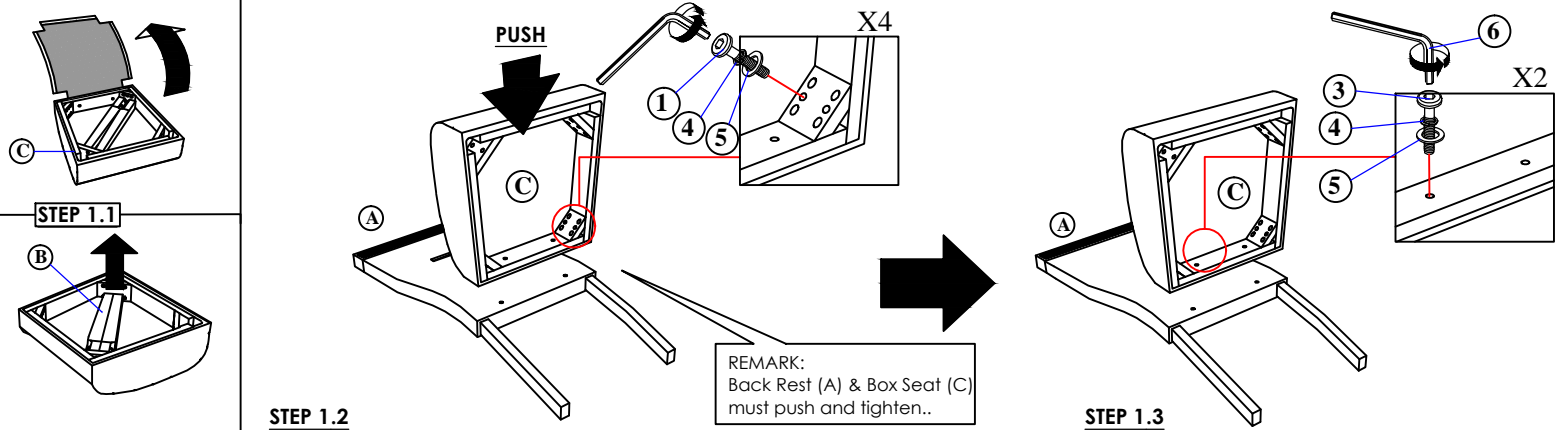
(Box 1)

HARDWARE LIST(X2)

No	ITEM	Qty
1	JCBB Bolt M8x80mm Blk 	4 pcs
2	JCBB Bolt M8x50mm Blk 	4 pcs
3	JCBB Bolt M8x40mm Blk 	2 pcs
4	Spring Washer M8 Blk 	10 pcs
5	Flat Washer M8 x 22 Blk 	10 pcs
6	Allen Key M5 	1 pcs

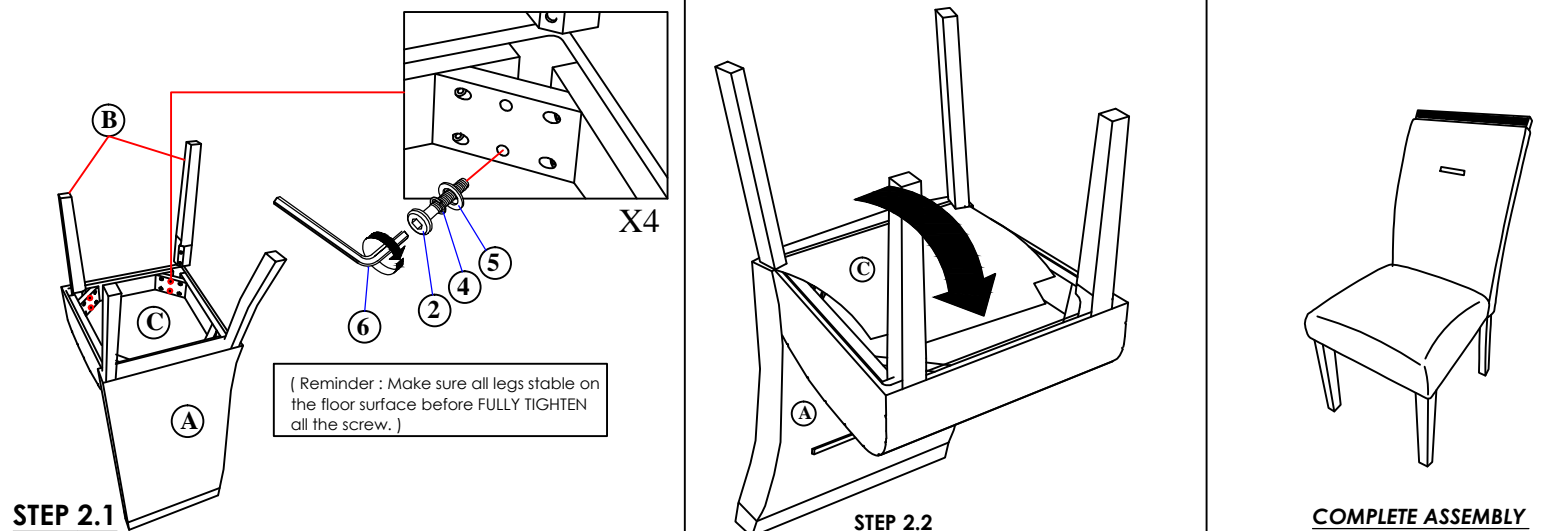
STEP 1.1 : Remove chair leg from the box seat (C) by open the bottom seat cover as shown.

STEP 1.2 : Align the cusion seat (C) to the Back Rest (A) by secure with JCBB Bolt (1) ,Spring Washer (4) & flat washer (5) and tighten them with Allen Key (6)
(DO NOT TIGHTEN BOLTS DURING THIS STEPS)



STEP 2.1 : Align Front Leg (B) into cusion seat (C) and fix with JCBB Bolt (2),Spring Washer (4),Flat Washer(5) tighten them with Allen Key(6) as shown.

STEP 2.2 : Closed down the cover of bottom cusion seat (C) after all parts completely fixed.



NOTE : MUST TIGHTEN SCREWS PERIODCALLY WITH USE SCREW WILL BECOME LOOSE CHECK TIGHTNESS OF ALL SCREW EVERY 6-8 WEEKS.