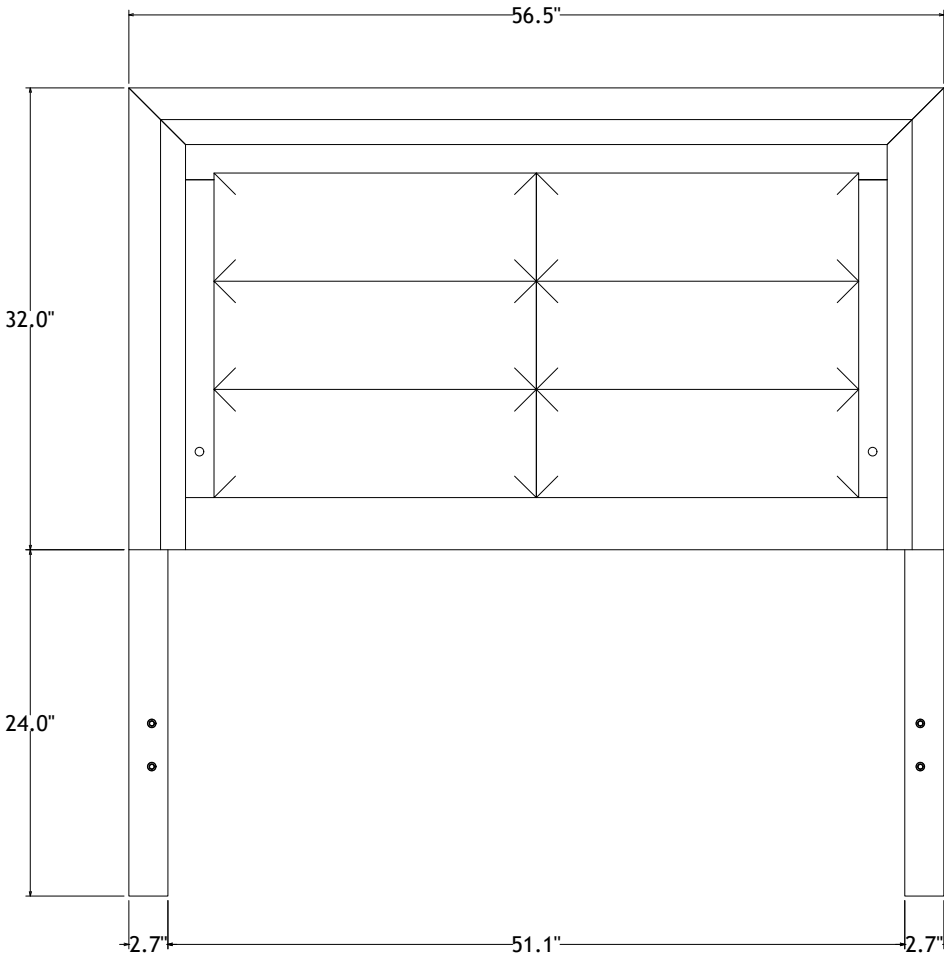
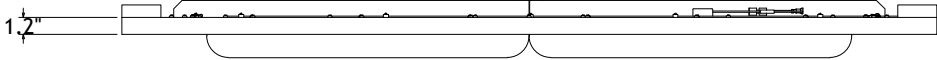
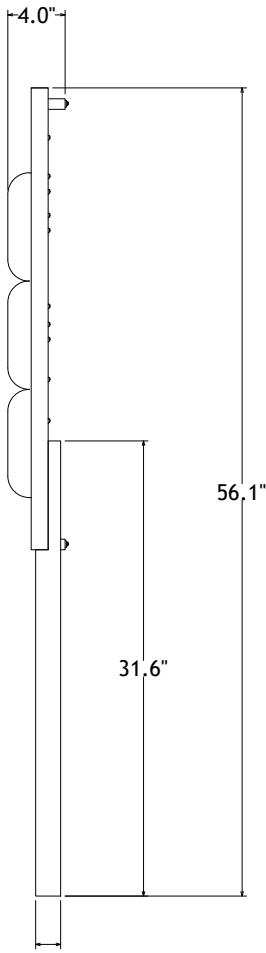


# Nolan Full Bed HB

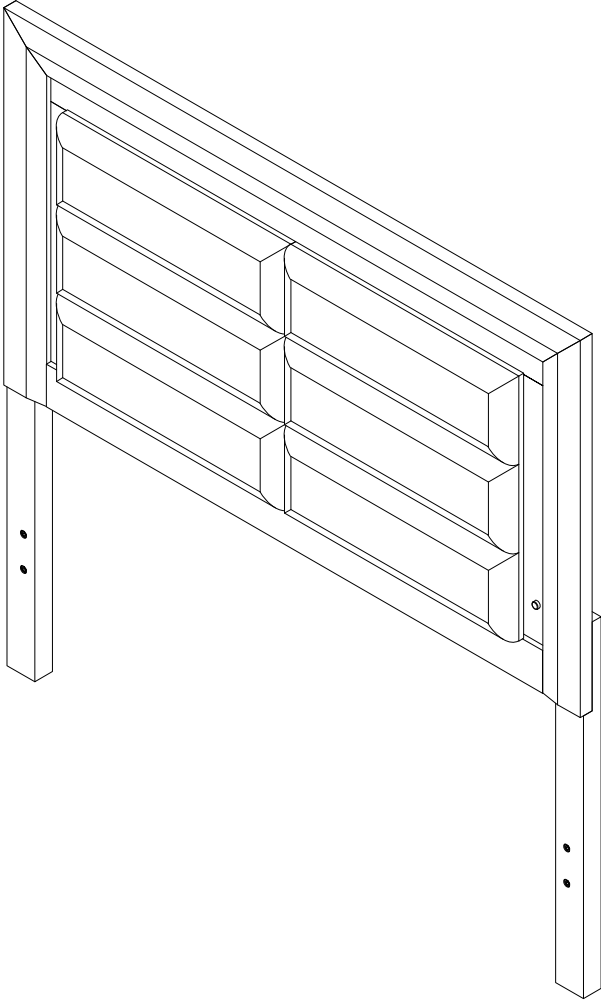
*Top View*



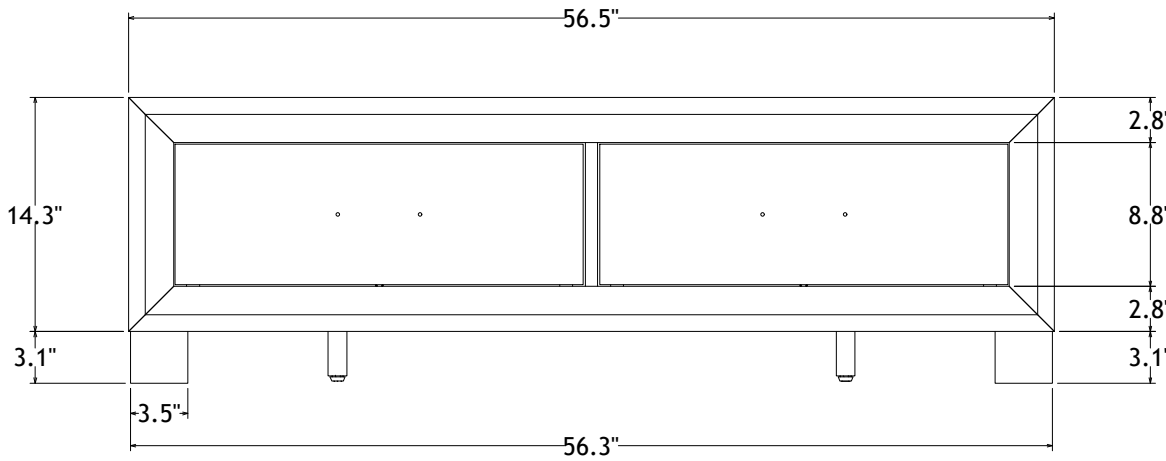
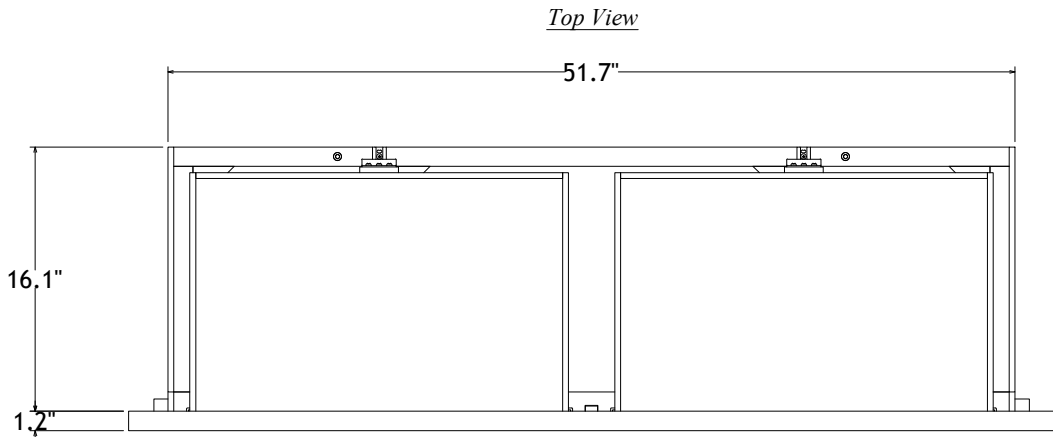
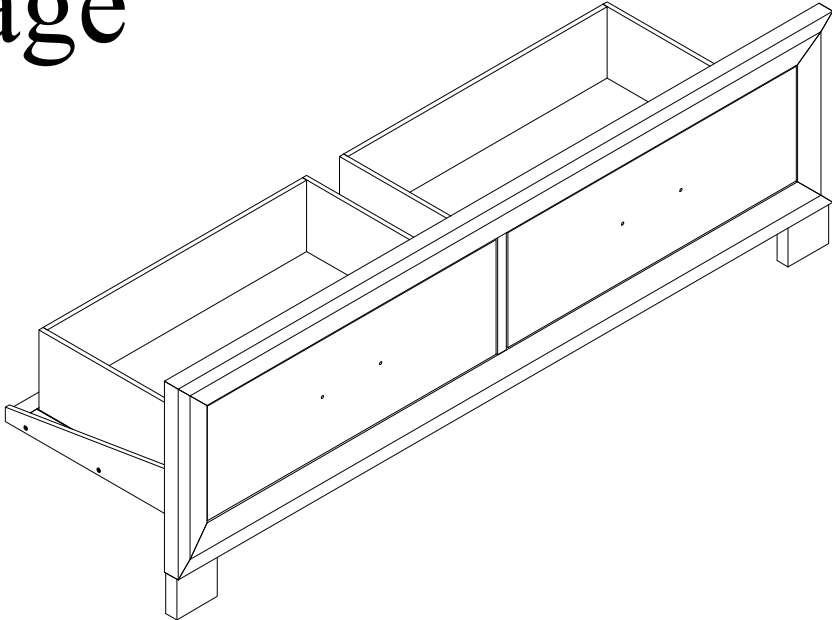
*Front View*



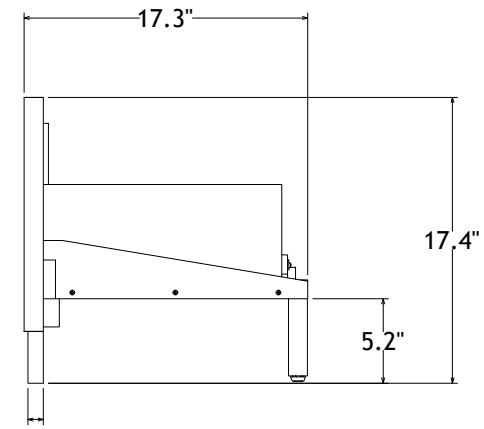
*Side View*



# Nolan Full Bed FB w/ Storage



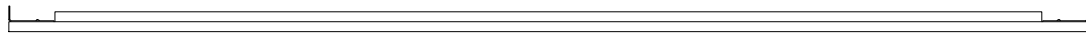
*Front View*



*Side View*

# Nolan Full Bed Side Rails

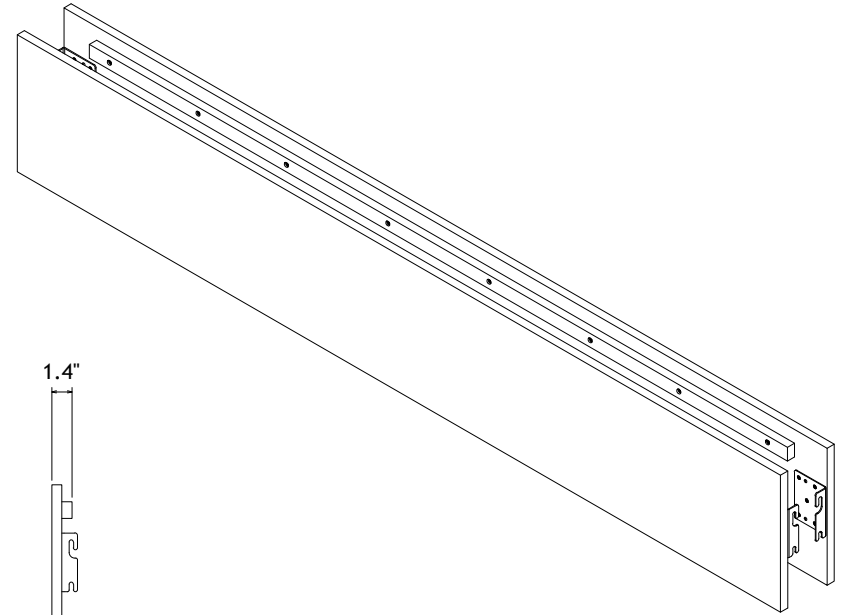
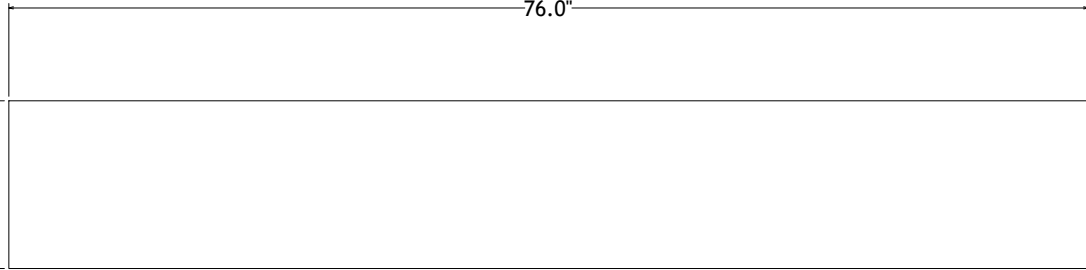
*Top View*



76.0"

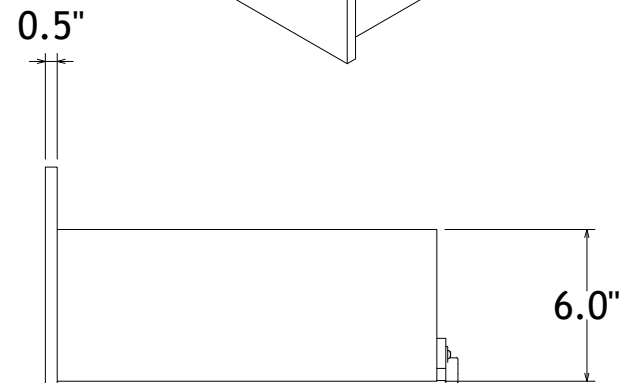
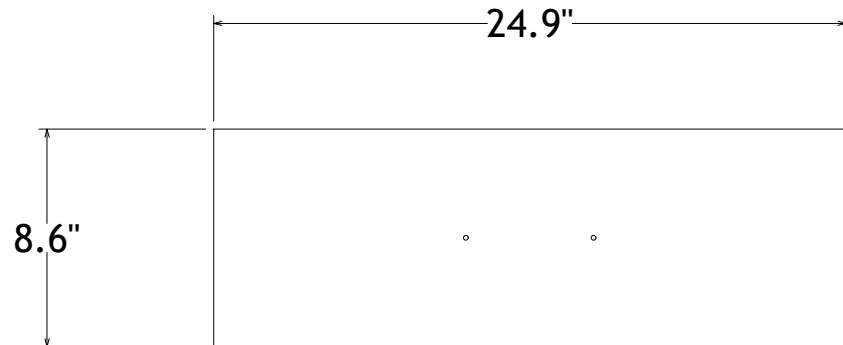
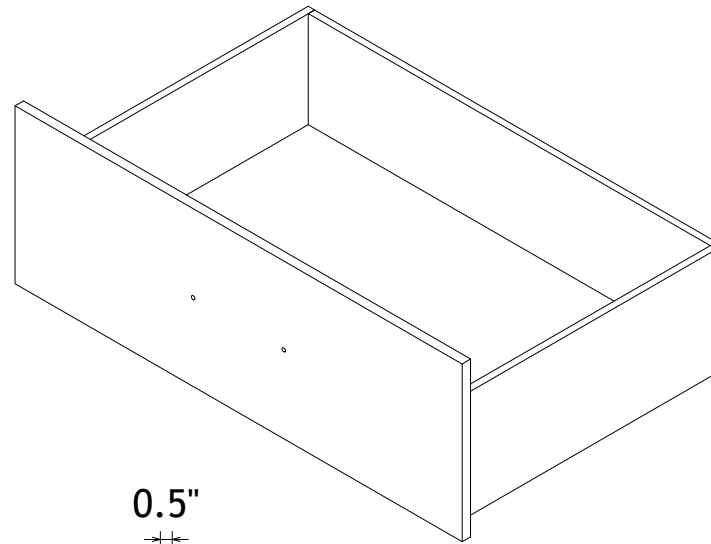
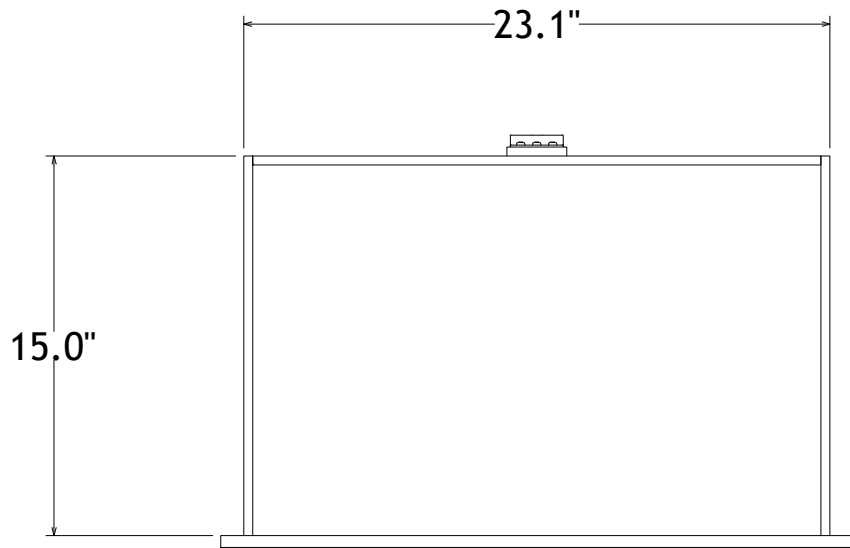
11.8"

*Front View*



1.4"

*Side View*



# Nolan Full Bed Drawer