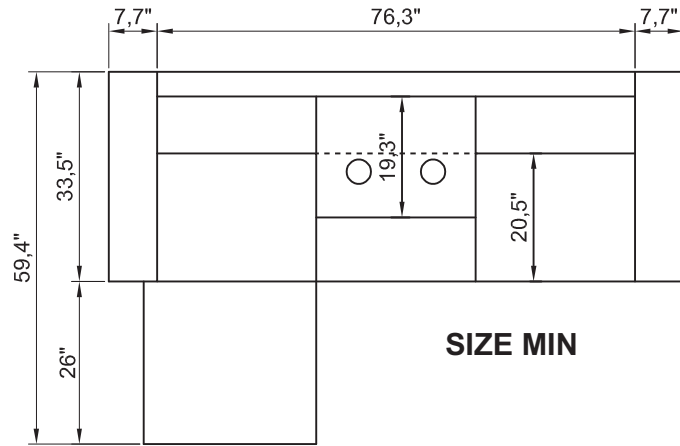
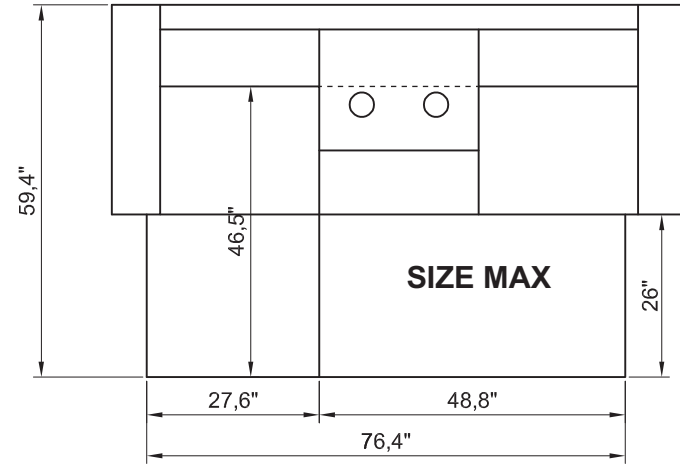


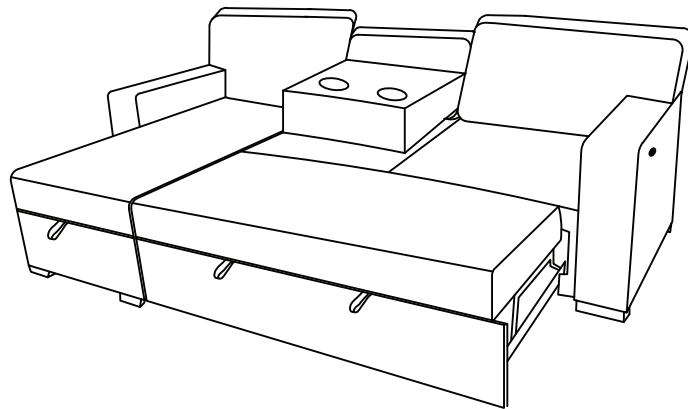
TOP VIEW



SIZE MIN

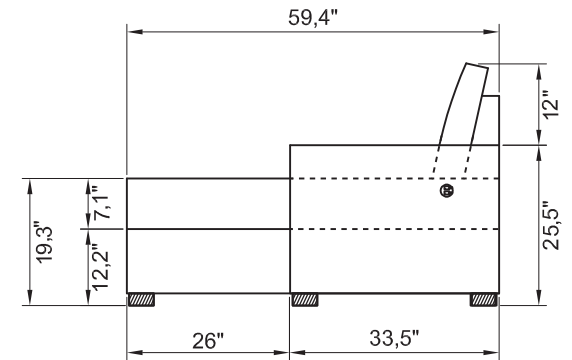


SIZE MAX



ISOMETRIC VIEW

SIDE VIEW



FRONT VIEW

