

ASSEMBLY INSTRUCTION

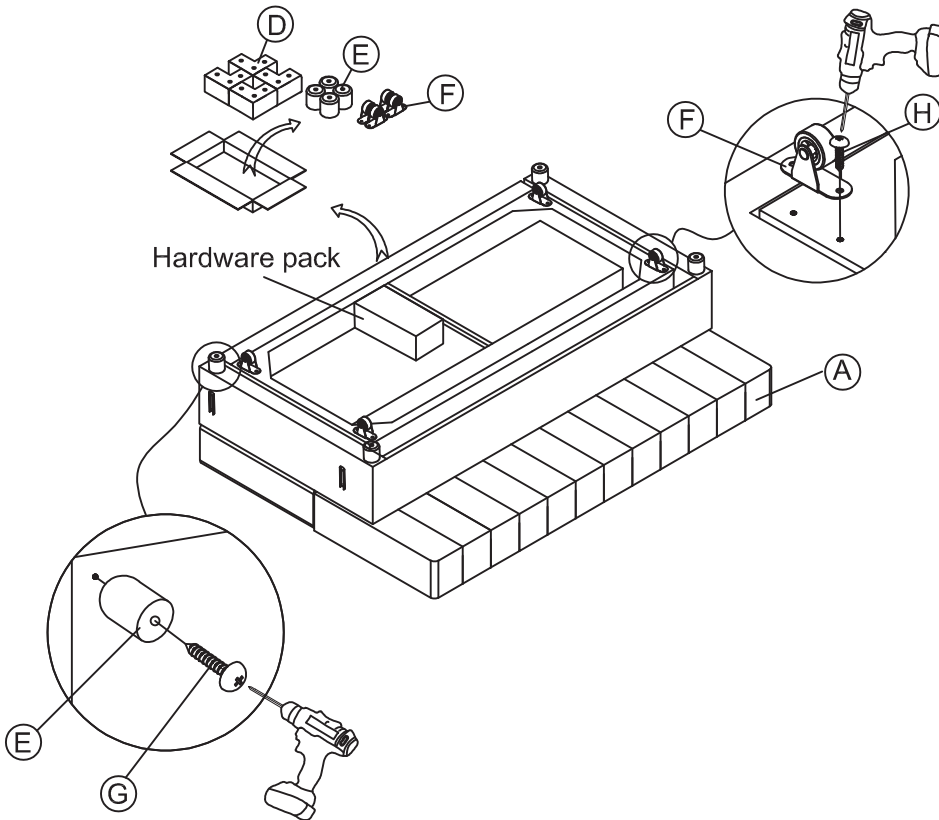
Model :U0201 SOFA BED W/PULL OUT
U0201 ARMS W/USB

Description : PULL-OUT SOFA BED 2 ARMS WITH USB

Thank you for purchasing this quality product. Be sure to check all packing material carefully for small parts that may have come loose inside the carton during shipment.

Step 1:

Screw up (G) into round leg (E); screw up (H) into rotating wheel (F)



PART LIST :

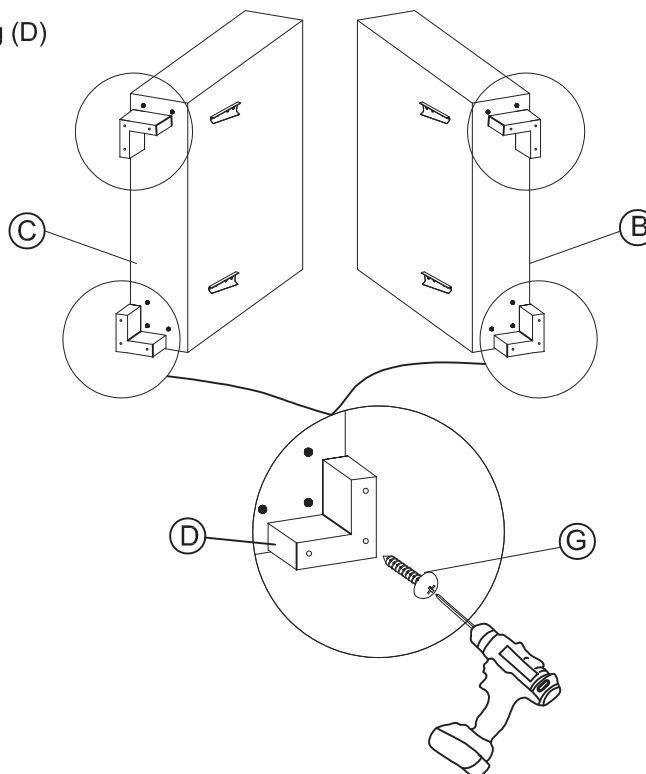
No.	Description	Diagram	Quantity
A	POP-UP SLEEPER SEAT		1
B	RSF ARM		1
C	LSF ARM		1
D	TRI-ANGLE LEGSEAT		4
E	ROUND LEG		4
F	ROTATING WHEEL		4

HARDWARE LIST :

No.	Description	Diagram	Size	Quantity
G	SCREW		Ø8x45mm	16
H	SCREW		Ø8x25mm	8

Step 2:

Screw up (G) into tri-angle leg (D)



ASSEMBLY INSTRUCTION

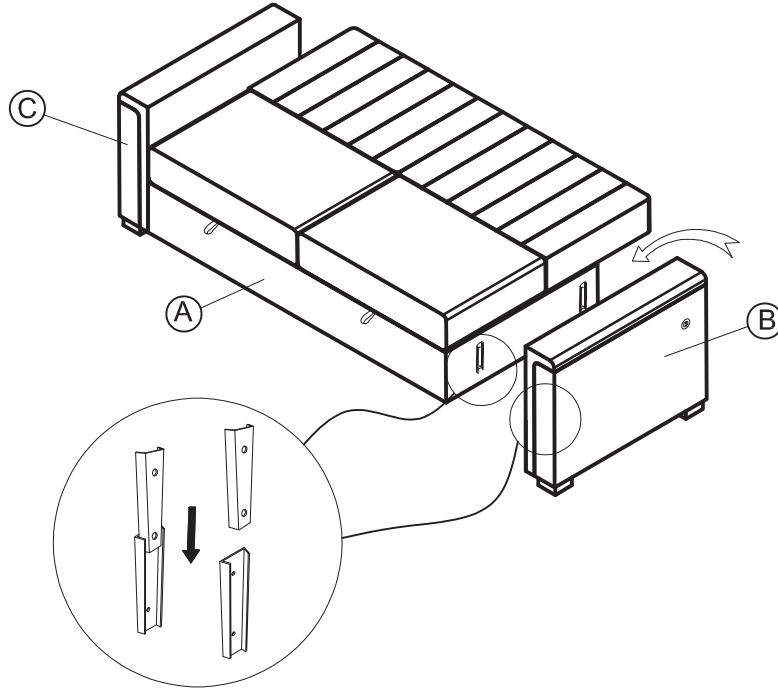
Model :U0201 SOFA BED W/PULL OUT
U0201 ARMS W/USB

Description : PULL-OUT SOFA BED 2 ARMS WITH USB

Thank you for purchasing this quality product. Be sure to check all packing material carefully for small parts that may have come loose inside the carton during shipment.

Step 3:

Slide RSF arm (B) and LSF arm (C) into pop-up sleeper seat (A)



Step 4:

Finally, we finish set-up this sofa.

