

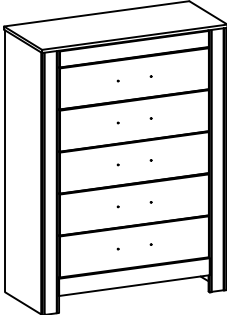
LOGAN CH ASSEMBLY INSTRUCTIONS

Thank you for purchasing this quality product. Be sure any small parts and hardware not for children under 3 years. Adult assembly required.

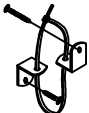
"DO NOT TIGHTEN SCREWS UNTIL COMPLETELY ASSEMBLED"

"DO NOT OVER TIGHT ANY HARDWARE"

PART LIST

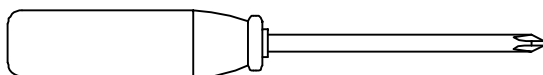
ITEM	DESCRIPTION	DRAWING	QTY
A	CHEST		1 PC

HARDWARE LIST

ITEM	DESCRIPTION	DRAWING	QTY
1	TIPPING RESTRAINT		1 PC

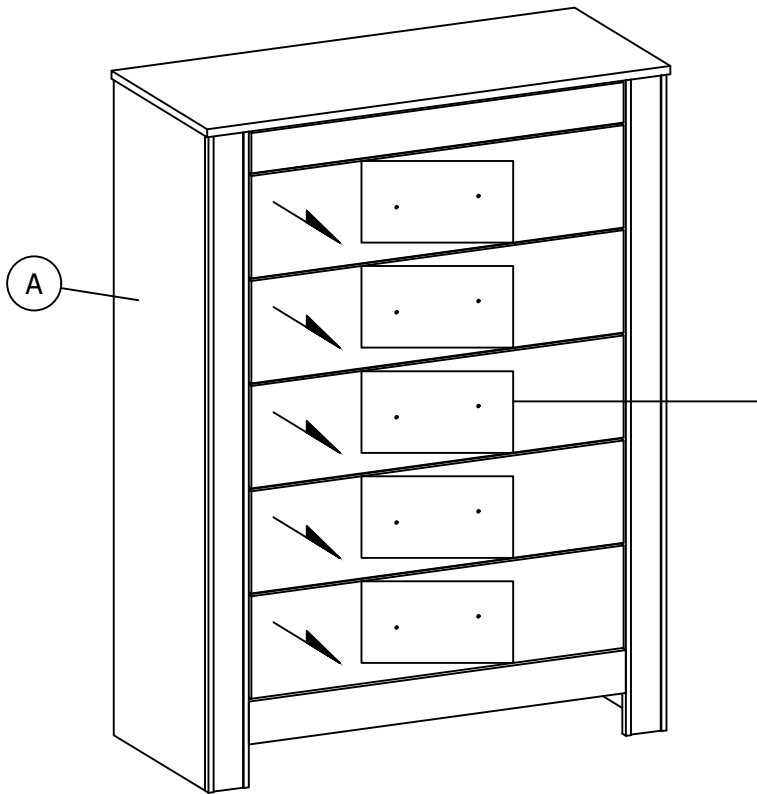
ASSEMBLY TOOLS REQUIRED

1. Screwdriver (not provide)

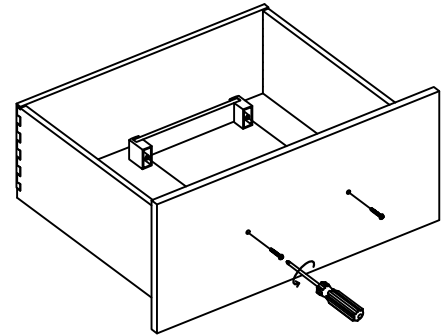


LOGAN CH ASSEMBLY INSTRUCTIONS

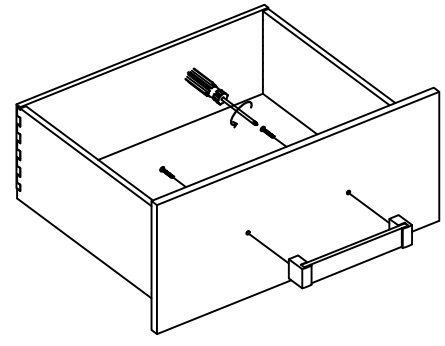
STEP 1



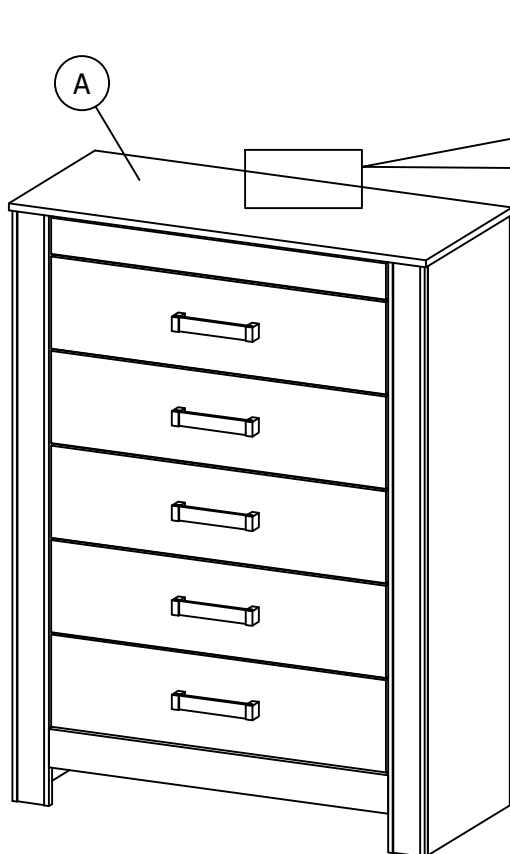
1.1. Unscrew the drawer handle from outside.



1.2. Screw the drawer handle from inside.

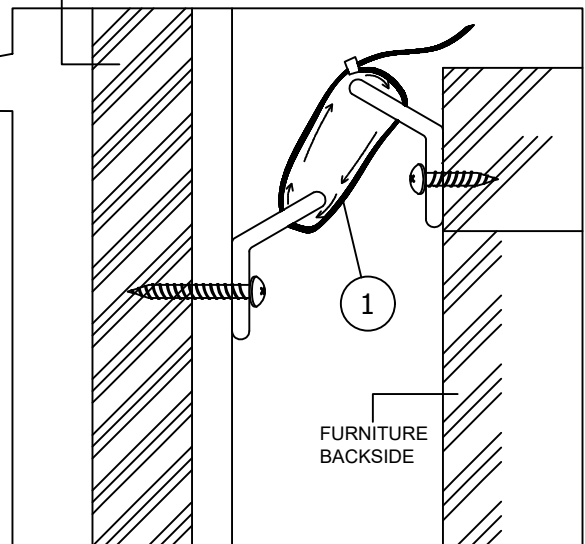


STEP 2



WALL BOARD AND STUD

FURNITURE TOP



LOGAN CH ASSEMBLY INSTRUCTIONS

STEP 3
COMPLETE

