

**MODEL : 0365A Ernie
QUEEN HEADBOARD + 1 DOOR
NIGHTSTAND + 3 DRW
DRESSER**

HEADBOARD & LEG PART LIST

No	ITEM	Qty
A	Headboard A1	1 pc
B	Headboard B2	1 pc
C	Headboard C3	2 pcs
D	Headboard D4	1 pc
E	Headboard Leg	2 pcs
F	Headboard Back Support	1 pc

NIGHTSTAND & DRESSER PART LIST

No	ITEM	Qty
G	Nightstand	1 pc
H	Dresser	1 pc
I	Nightstand Shelf Panel	1 pc
J	Dresser Shelf Panel	1 pc
K	Nightstand & Dresser Bottom Leg	8 pcs
L	Dresser Center Leg	1 pc

HEADBOARD HARDWARE PACK-3

No	ITEM	Qty
7	JCBC Bolt m6x35mm Blk	12 pcs
8	Spring Washer 1/4" Blk	12 pcs
9	Flat Washer 1/4"IDx13mmOD Blk	12 pcs
10	Allen Key m4x110mm With Ball Blk	1 pc
11	Flat Head Chipboard Screw m4x32mm Rbw	8 pcs
12	JCBB Bolt m8x60mm Blk	4 pcs
13	Pan Head Chipboard Screw m4 x 25mm Blk	5 pcs
14	Flat Washer 5/16"IDx22mmOD Blk	4 pcs
15	Wing Nut M8 Blk	4 pcs

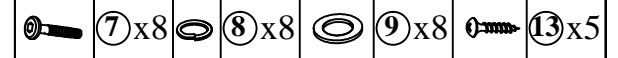
NIGHTSTAND HARDWARE PACK-1

No	ITEM	Qty
1	USB PORT 1 Plug + 2 USB L77mmxW47mmxH25mm Black (FOR NIGHTSTAND)	1 pc
2	Flat Head Chipboard Screw m3x20mm Rbw	2 pcs

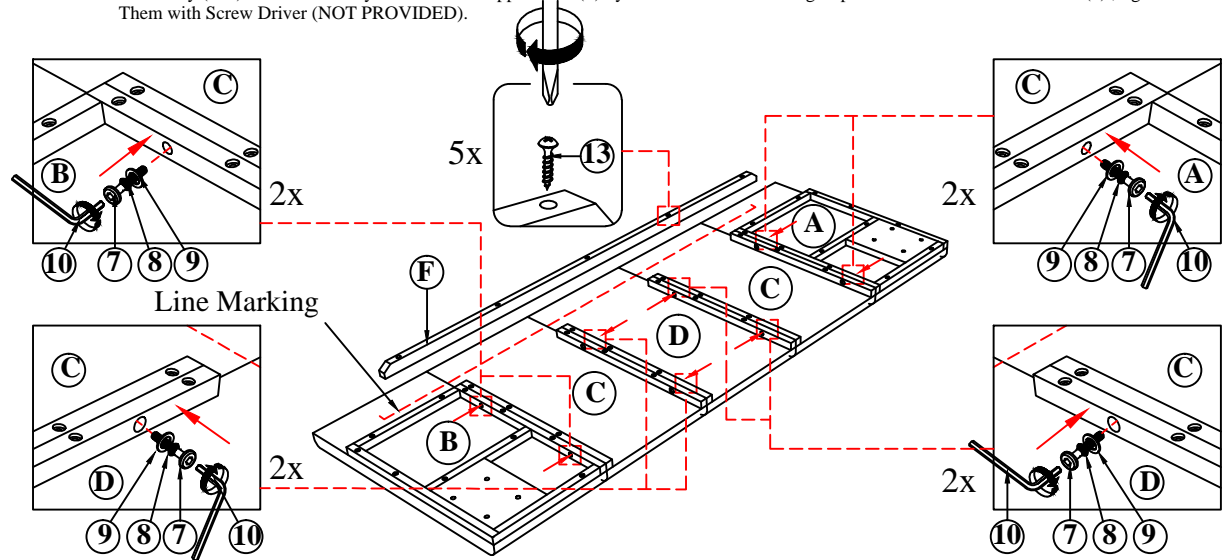
NIGHTSTAND & DRESSER HARDWARE PACK-2

No	ITEM	Qty
3	m5x16mm Pvc Shelf Support With Plastic Brw	8 pcs
4	JCBC Bolt m6x50mm Blk (FOR NIGHTSTAND & DRESSER)	8 pcs
5	Spring Washer 1/4" Blk	8 pcs
6	Flat Washer 1/4"IDx13mmOD Blk	8 pcs

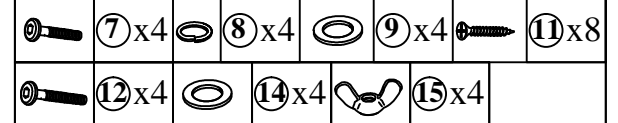
HOW TO ASSEMBLE HEADBOARD



STEP 1: Attach Head Board (A&B) to Head Board (C) and Insert Spring Washer (8), Flat washer (9), JCBC (7) tighten them by using an Allen Key (10). Then attach Headboard (A,B,C) to Headboard (D) accordingly by insert Spring Washer (8), Flat washer (9), JCBC (7) and tighten them by using an Allen Key (10) as shown. Lastly Attach Back Support Rail (F) by follow the Line Marking as provided and insert CSK Screw (6) , tighten Them with Screw Driver (NOT PROVIDED).

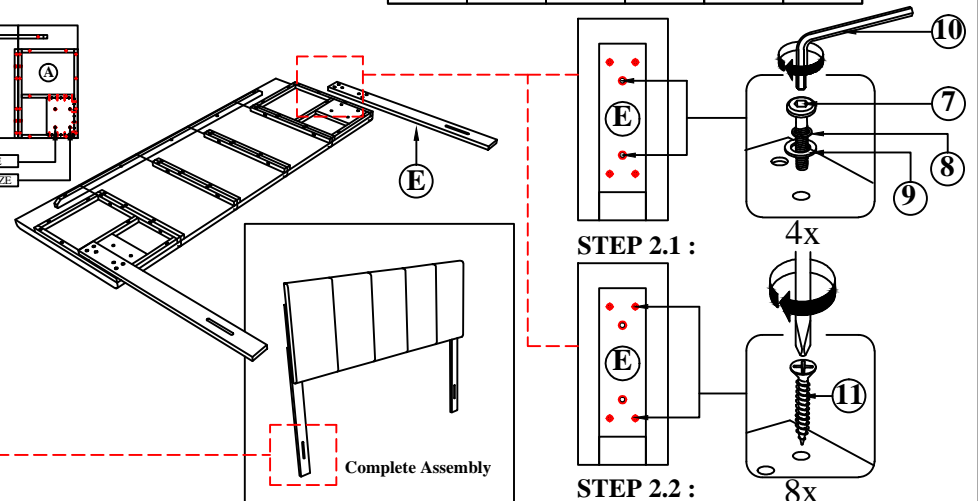
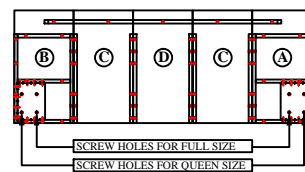


STEP 2: Attach Headboard Leg (E) to the Headboard Panel and insert Spring Washer (8), Flat washer (9), JCBC (7) and tighten them by using an Allen Key (10) as shown.

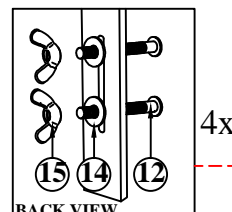


HOW TO CHANGE HB BED FROM QUEEN TO FULL

REMARK!



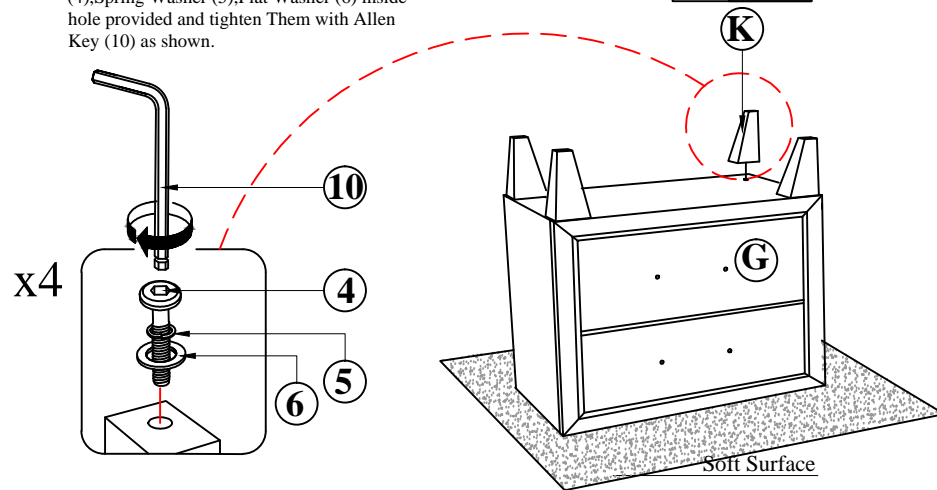
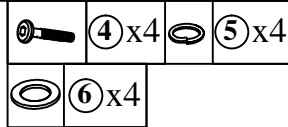
STEP 2.3 :



HOW TO ASSEMBLE NIGHTSTAND BOTTOM LEG

STEP 1: Remove Bottom Leg (K) from inner box inside Dresser Bottom Drawer.

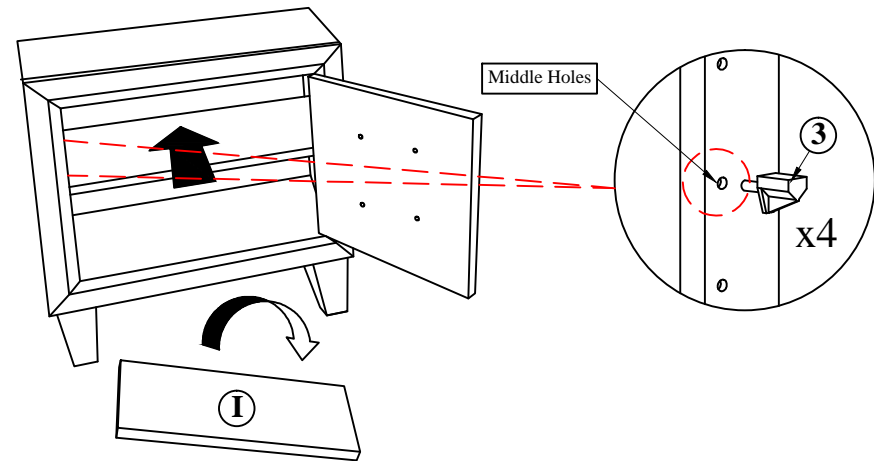
STEP 1.1: Attach Bottom Leg (K) by insert JCBC (4), Spring Washer (5), Flat Washer (6) inside hole provided and tighten Them with Allen Key (10) as shown.



HOW TO ASSEMBLE SHELF INSIDE NIGHTSTAND

STEP 1: Insert PVC Shelf support (3) into hole provided (Middle Holes) as shown.

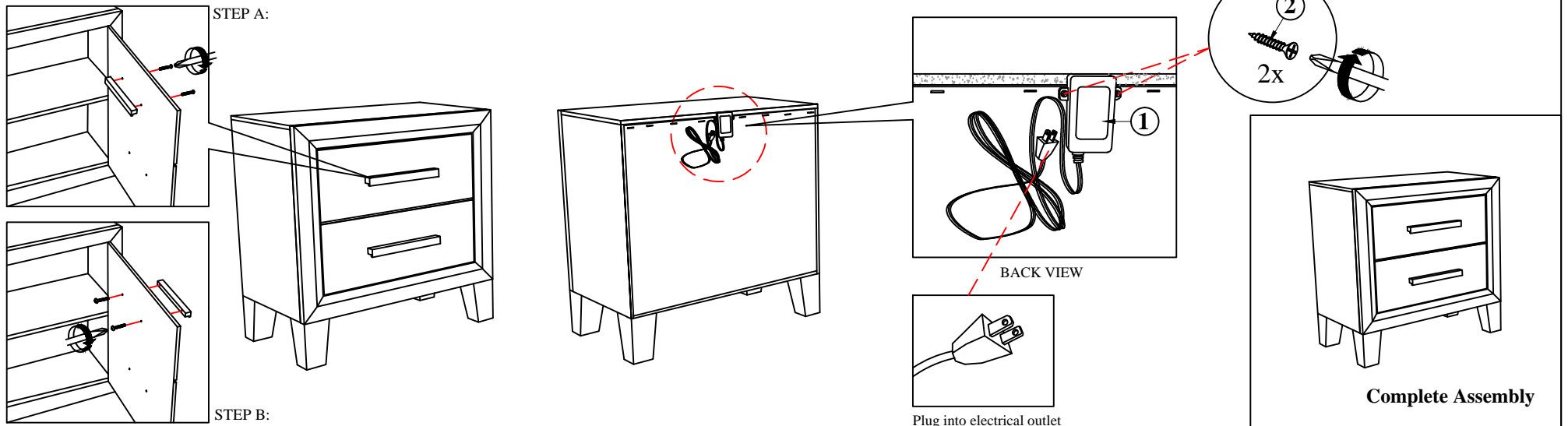
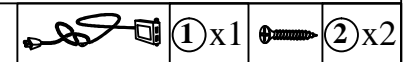
STEP 1.1: Align the Nightstand Shelf (I) by slightly rotate then place it on PVC Shelf Support (4) as shown.



HOW TO ASSEMBLE NIGHTSTAND HANDLE & USB PORT

STEP 1: Remove HANDLE using a Philips head screw driver as shown in illustration STEP - A. Re-install the HANDLE as per diagram STEP - B. Repeat STEP - A STEP - B until HANDLE are attached correctly.

STEP 1.1: Align and fix USB Port (1) at Nightstand Back Panel by scure with CSK Screw (2) and tighten them with Screw Driver (NOT PROVIDED) as shown.



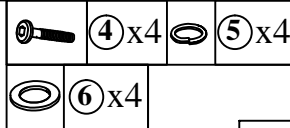
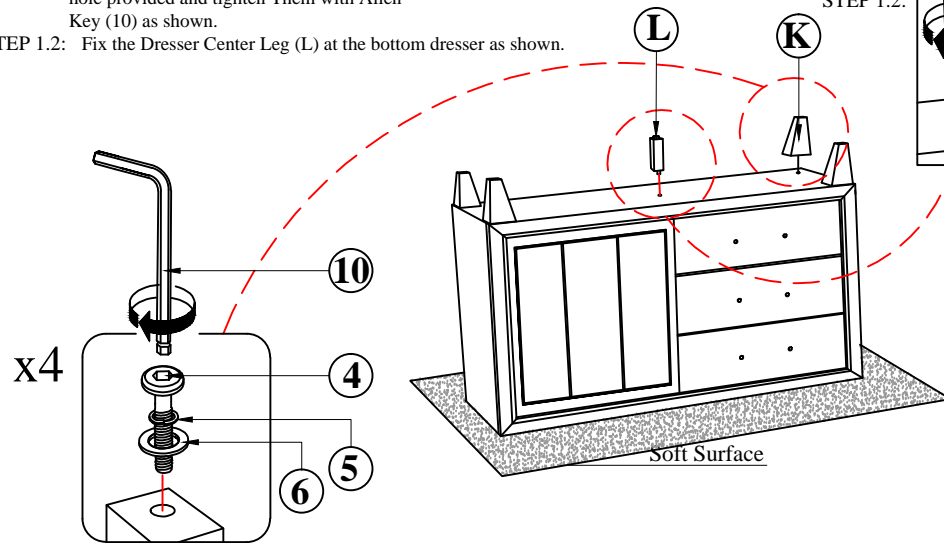
NOTE : MUST TIGHTEN SCREWS PERIODCALLY WITH USE SCREW WILL BECOME LOOSE CHECK TIGHTNESS OF ALL SCREW EVERY 6-8 WEEKS.

HOW TO ASSEMBLE DRESSER BOTTOM LEG

STEP 1: Remove Bottom Leg (K) from inner box inside Dresser Bottom Drawer.

STEP 1.1: Attach Bottom Leg (K) by insert JCBC (4), Spring Washer (5), Flat Washer (6) inside hole provided and tighten Them with Allen Key (10) as shown.

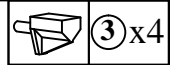
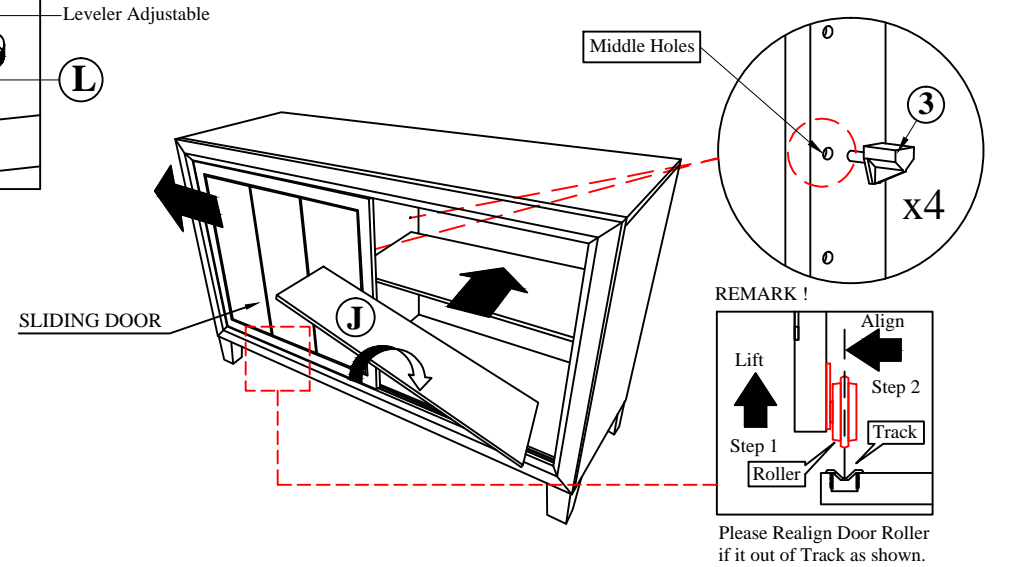
STEP 1.2: Fix the Dresser Center Leg (L) at the bottom dresser as shown.



HOW TO ASSEMBLE SHELF INSIDE DRESSER

STEP 1: Insert PVC Shelf support (3) into hole provided (Middle Holes) as shown.

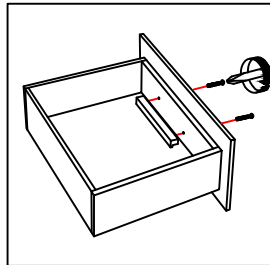
STEP 1.1: Align the Dresser Shelf (J) by slightly rotate then place it on PVC Shelf Support (5) as shown.



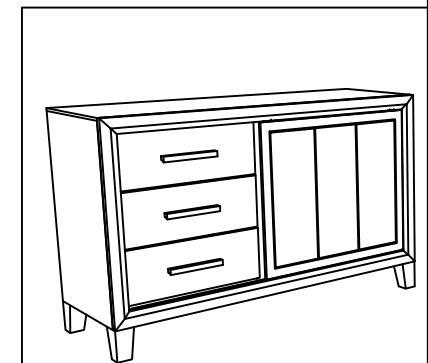
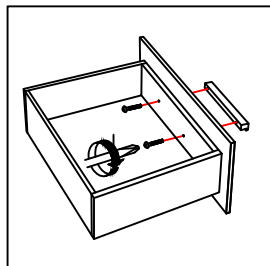
HOW TO ASSEMBLE DRESSER HANDLE

STEP 1: Remove HANDLE using a Philips head screw driver as shown in illustration STEP - A. Re-install the HANDLE as per diagram STEP - B. Repeat STEP - A STEP - B until HANDLE are attached correctly.

STEP A:



STEP B:



Complete Assembly

NOTE : MUST TIGHTEN SCREWS PERIODCALLY WITH USE SCREW WILL BECOME LOOSE CHECK TIGHTNESS OF ALL SCREW EVERY 6-8 WEEKS.