

**MODEL : 0366A Burt  
QUEEN HEADBOARD + 1 DOOR  
NIGHTSTAND + 3 DRW  
DRESSER**

**HEADBOARD & LEG PART LIST**

No	ITEM	Qty
A	Headboard Front Panel	8 pcs
B	Headboard Back Vertical Panel	1 pc
C	Headboard Leg	2 pcs

**NIGHTSTAND HARDWARE PACK-1**

No	ITEM	Qty
1	USB PORT 1 Plug + 2 USB L77mmxW47mmxH25mm Black (FOR NIGHTSTAND)	1 pc
2	Flat Head Chipboard Screw m3x20mm Rbw	2 pcs

**NIGHTSTAND & DRESSER HARDWARE PACK-2**

No	ITEM	Qty
3	m5x16mm Pvc Shelf Support With Plastic Brw	8 pcs
4	JCBC Bolt m6x50mm Blk (FOR NIGHTSTAND & DRESSER)	8 pcs
5	Spring Washer 1/4" Blk	8 pcs
6	Flat Washer 1/4"IDx13mmOD Blk	8 pcs

**HEADBOARD HARDWARE PACK-3**

No	ITEM	Qty
7	M8 Carriage Screw Length 40mm (dia18mm) Blk	16 pcs
8	Flat Washer 5/16"IDx22mmOD Blk	20 pcs

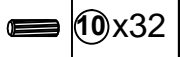
**NIGHTSTAND & DRESSER PART LIST**

No	ITEM	Qty
D	Nightstand	1 pc
E	Dresser	1 pc
F	Nightstand Shelf	1 pc
G	Dresser Shelf	1 pc
H	Nightstand & Dresser Bottom Leg	8 pcs
I	Dresser Center Leg	1 pc

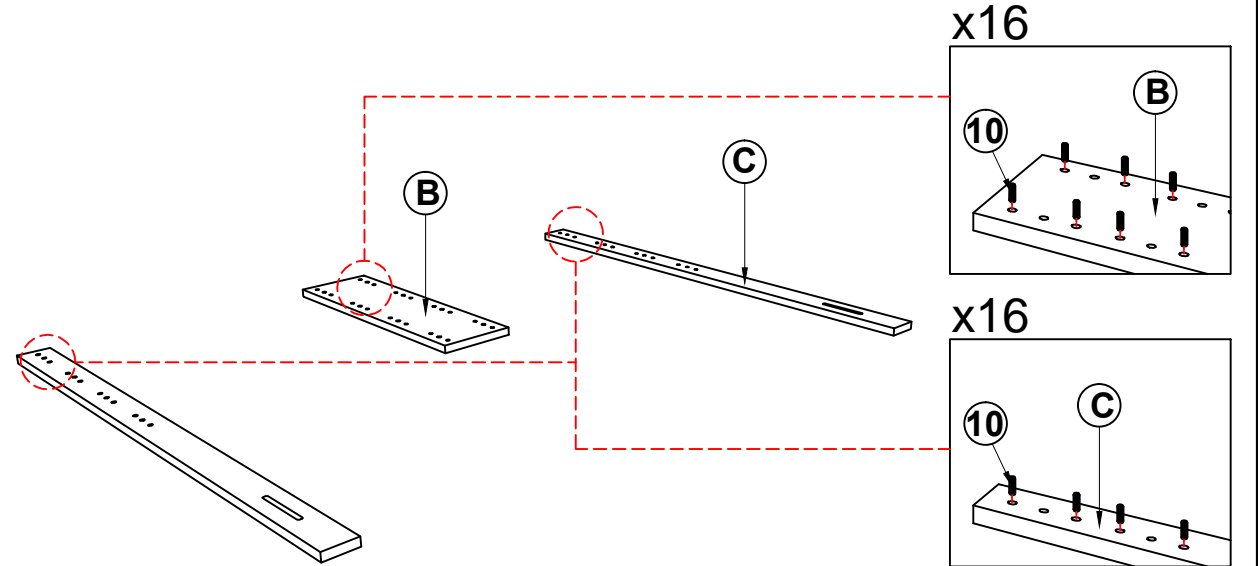
**HEADBOARD HARDWARE PACK-3**

No	ITEM	Qty
9	Wing Nut M8 Blk	20 pcs
10	Wood Dowel 8mmx20mm	32 pcs
11	Allen Key m4x110mm With Ball Blk	1 pc
12	JCBB Bolt m8x60mm Blk (FOR HB LEG BOTTOM)	4 PCS

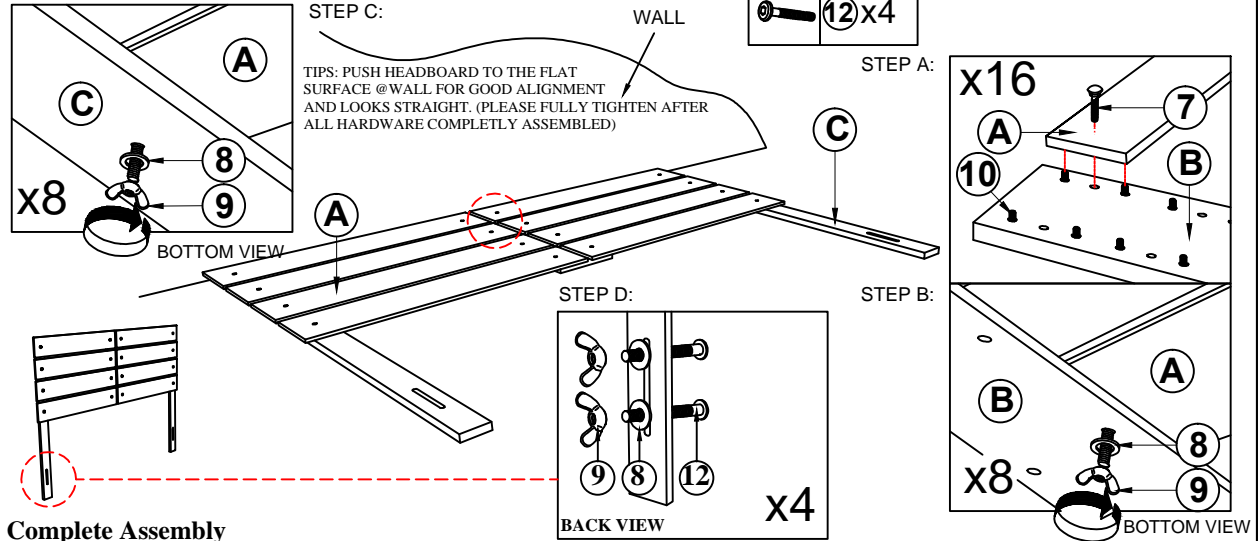
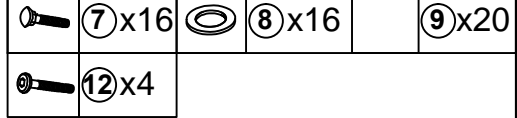
**HOW TO ASSEMBLE HEADBOARD**



STEP 1: Insert Dowel (10) into hole on Headboard Back Vertical Panel (B) and Headboard Leg (C) as shown.



STEP 2: Carefully Align the Front Headboard Panel (A) meet with the Dowel (10). Then secure with Carriage Bolt (7), Flat Washer (8) and tighten them with Wing Nut (9) as shown (DO NOT FULLY TIGHTEN IN THIS STEP)



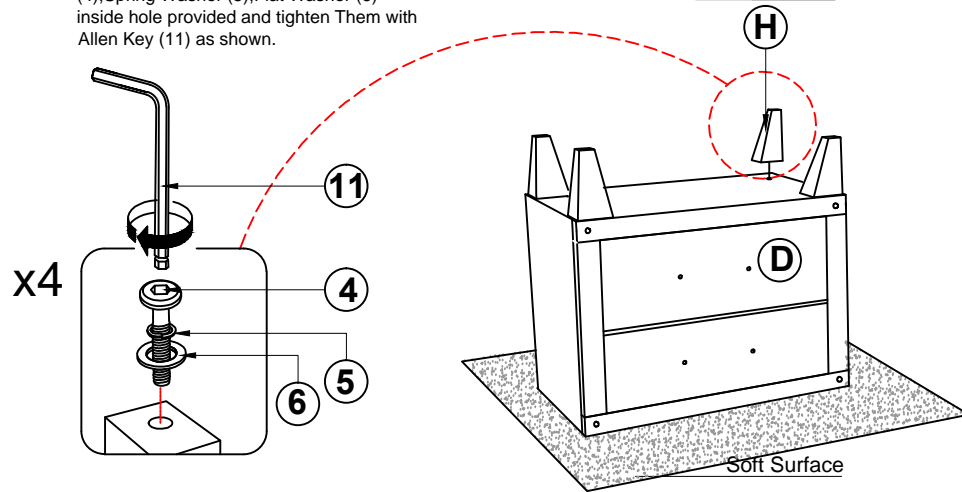
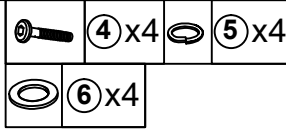
**Complete Assembly**

NOTE : MUST TIGHTEN SCREWS PERIODCALLY WITH USE SCREW WILL BECOME LOOSE CHECK TIGHTNESS OF ALL SCREW EVERY 6-8 WEEKS.

### HOW TO ASSEMBLE NIGHTSTAND BOTTOM LEG

STEP 1: Remove Bottom Leg (H) from inner box.

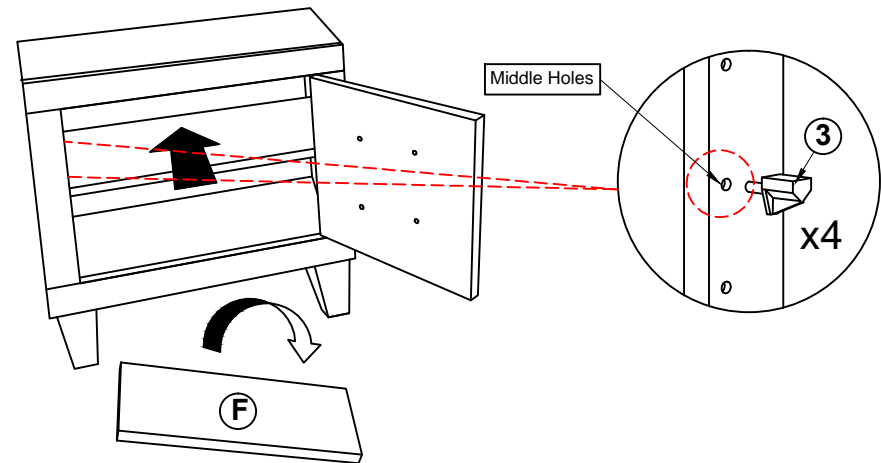
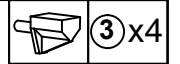
Attach Bottom Leg (H) by insert JCBC (4), Spring Washer (5), Flat Washer (6) inside hole provided and tighten Them with Allen Key (11) as shown.



### HOW TO ASSEMBLE SHELF INSIDE NIGHTSTAND

STEP 1: Insert PVC Shelf support (3) into hole provided (Middle Holes) as shown.

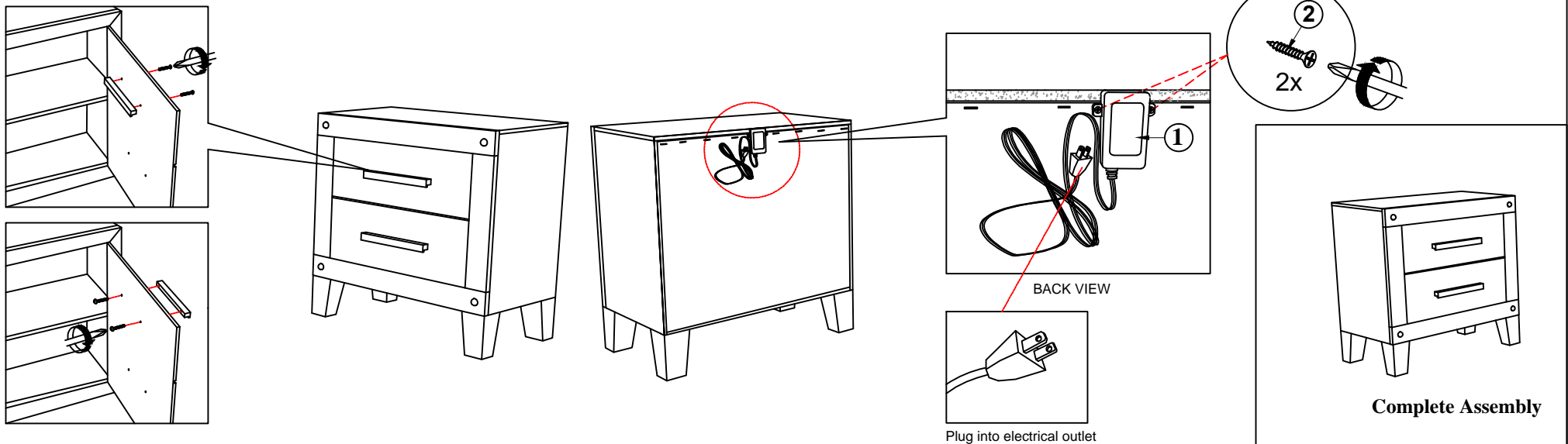
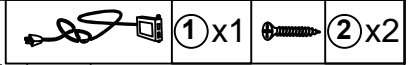
Align the Nightstand Shelf (F) by slightly rotate then place it on PVC Shelf Support (3) as shown.



### HOW TO ASSEMBLE NIGHTSTAND HANDLE & USB PORT

STEP 1: Remove HANDLE using a Philips head screw driver as shown in illustration STEP - A. Re-install the HANDLE as per diagram STEP - B. Repeat STEP - A STEP - B until HANDLE are attached correctly.

STEP 2: Align and fix USB Port (1) at Nightstand Back Panel by scure with CSK Screw (2) and tighten them with Screw Driver (NOT PROVIDED) as shown.



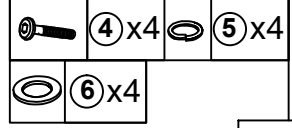
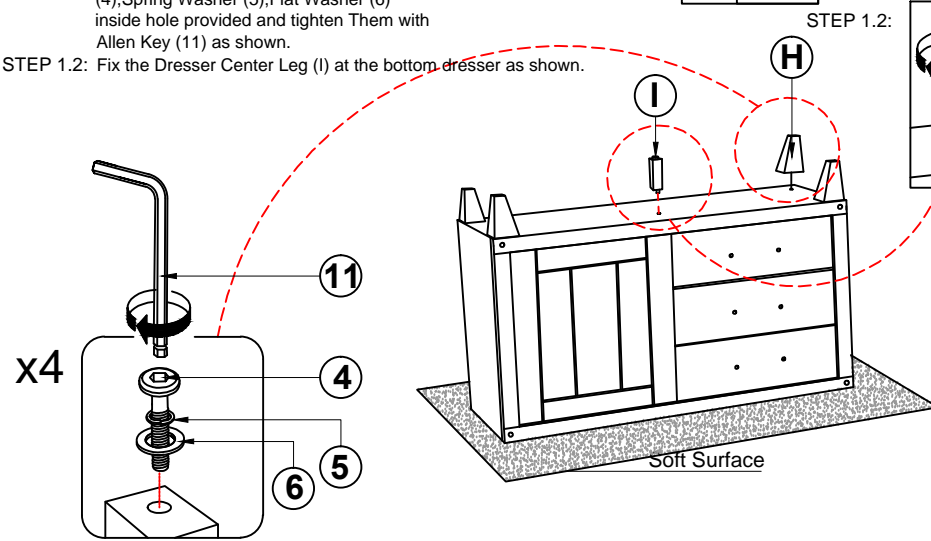
NOTE : MUST TIGHTEN SCREWS PERIODCALLY WITH USE SCREW WILL BECOME LOOSE CHECK TIGHTNESS OF ALL SCREW EVERY 6-8 WEEKS.

## HOW TO ASSEMBLE DRESSER BOTTOM LEG

STEP 1: Remove Bottom Leg (H) from inner box.

STEP 1.1: Attach Bottom Leg (H) by insert JCBC (4), Spring Washer (5), Flat Washer (6) inside hole provided and tighten Them with Allen Key (11) as shown.

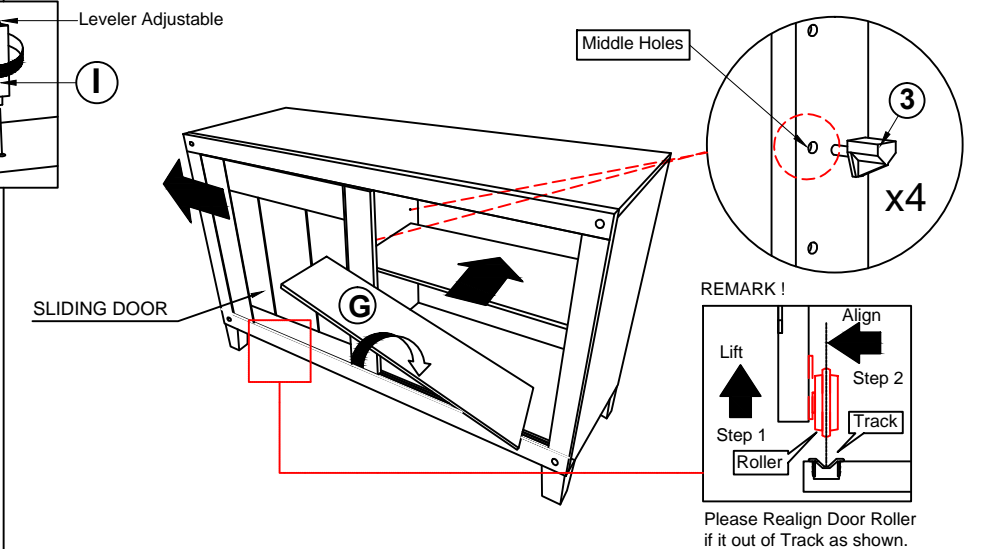
STEP 1.2: Fix the Dresser Center Leg (I) at the bottom dresser as shown.



## HOW TO ASSEMBLE SHELF INSIDE DRESSER

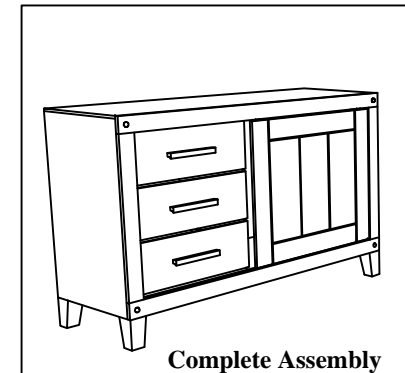
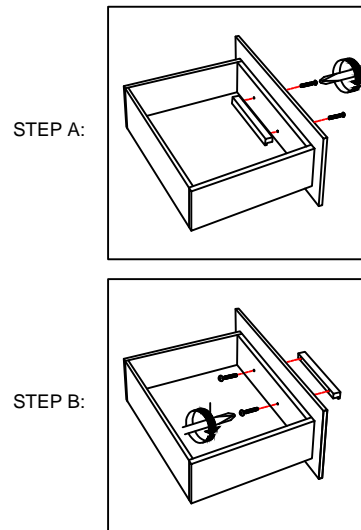
STEP 1: Insert PVC Shelf support (3) into hole provided (Middle Holes) as shown.

Align the Dresser Shelf (G) by slightly rotate then place it on PVC Shelf Support (5) as shown.



## HOW TO ASSEMBLE DRESSER HANDLE

STEP 1: Remove HANDLE using a Philips head screw driver as shown in illustration STEP - A. Re-install the HANDLE as per diagram STEP - B. Repeat STEP - A STEP - B until HANDLE are attached correctly.



NOTE : MUST TIGHTEN SCREWS PERIODCALLY WITH USE SCREW WILL BECOME LOOSE CHECK TIGHTNESS OF ALL SCREW EVERY 6-8 WEEKS.