

# ASSEMBLY INSTRUCTION


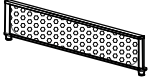

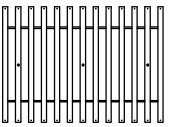
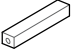


GLOBAL FURNITURE USA

MODEL : 9842 LANDO





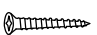
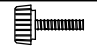
DESCRIPTION : LANDO-SILVER-KB-HB W/LED/LANDO-SILVER-KB-FB W/FULL SLATS/  
LANDO-SILVER-QB/KB-SR

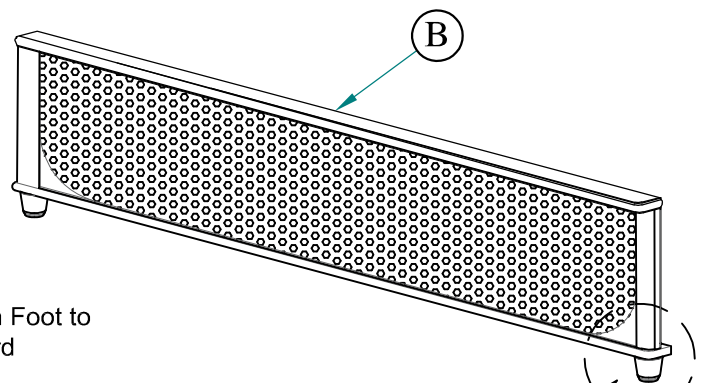
Thank you for purchasing this quality product. Be sure to check all packing material carefully for small parts which may have loose inside the carton during shipment. Identify and count all parts and compare with the parts list below.

## PART LIST#

NO	NAME	PART	QTY
A	Headboard		1pc
B	Footboard		1pc
C	Side Rail		2pcs
D	Roll Slat		13pcs
E	Slat Support Leg		3pcs
F	Center Vertical Slat		1pc
G	Acrylic Bun Foot		2pcs

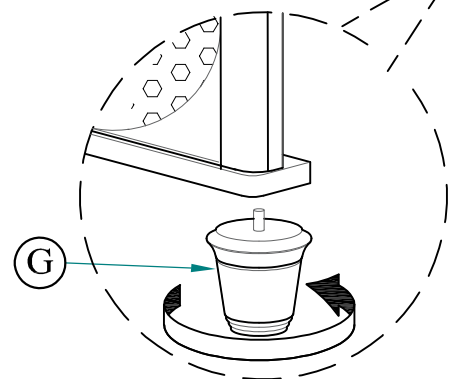
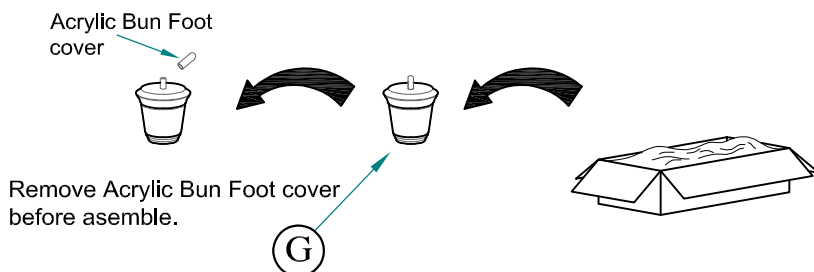
## HARDWARE LIST#

NO	NAME	PART	QTY
1	Allen key 4mm		1pc
2	JCBC M6 x 60mm		3pcs
3	M6 Spring washer		3pcs
4	M6 Flat washer		3pcs
5	Screw 32mm		26pcs
6	Adjustable Leveller		3pcs
<b>HARDWARE LOCATED IN FOOTBOARD BOX</b>			



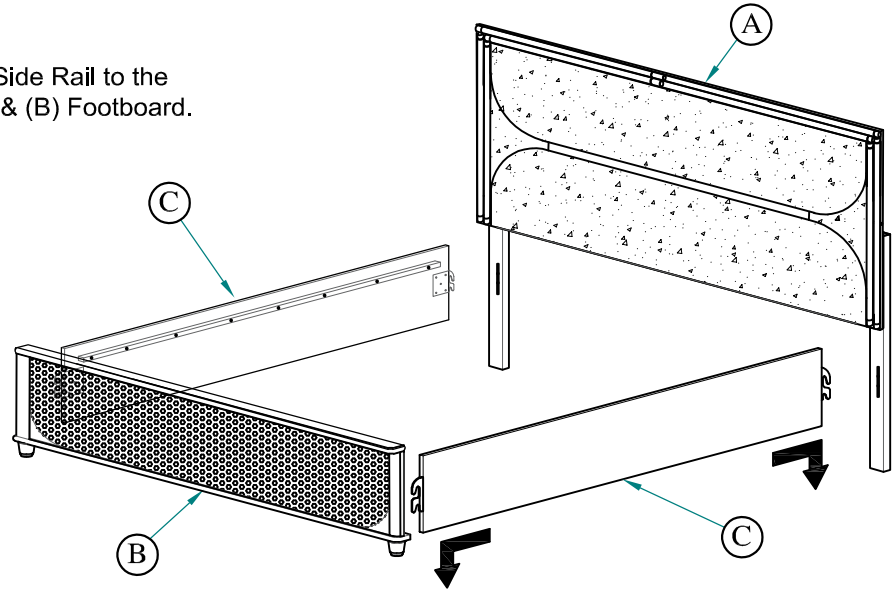
### Step 1:

Secure the (G) Acrylic Bun Foot to the bottom of (B) Footboard as a diagram shown.



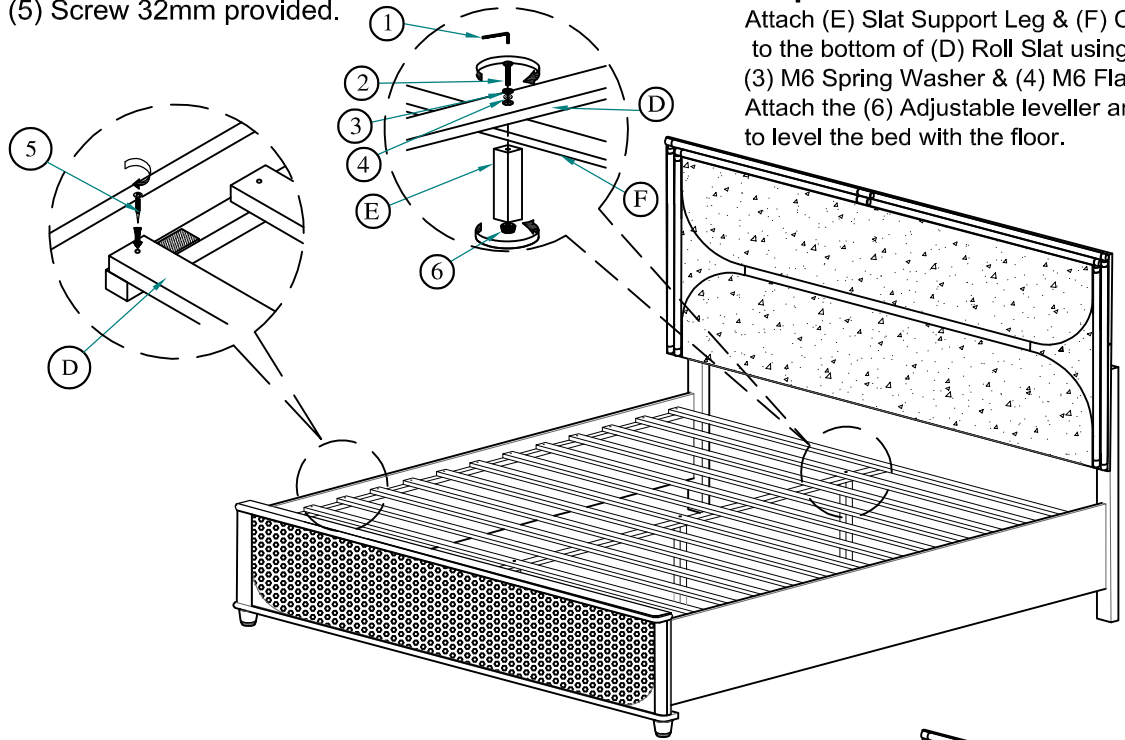
**Step 2 :**

Attach the (C) Side Rail to the (A) Headboard & (B) Footboard.



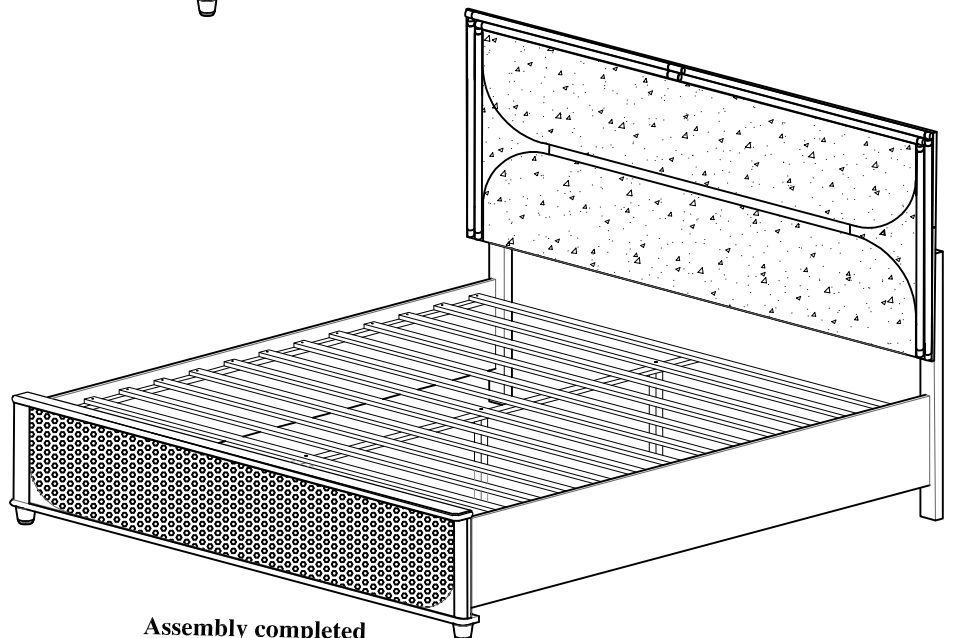
**Step 3 :**

Secure the (D) Roll Slat using the (5) Screw 32mm provided.



**Step 4 :**

Attach (E) Slat Support Leg & (F) Center Vertical Slat to the bottom of (D) Roll Slat using (2) JCBC M6 x 60mm & (3) M6 Spring Washer & (4) M6 Flat washer . Attach the (6) Adjustable leveller and adjust it to level the bed with the floor.



Assembly completed