

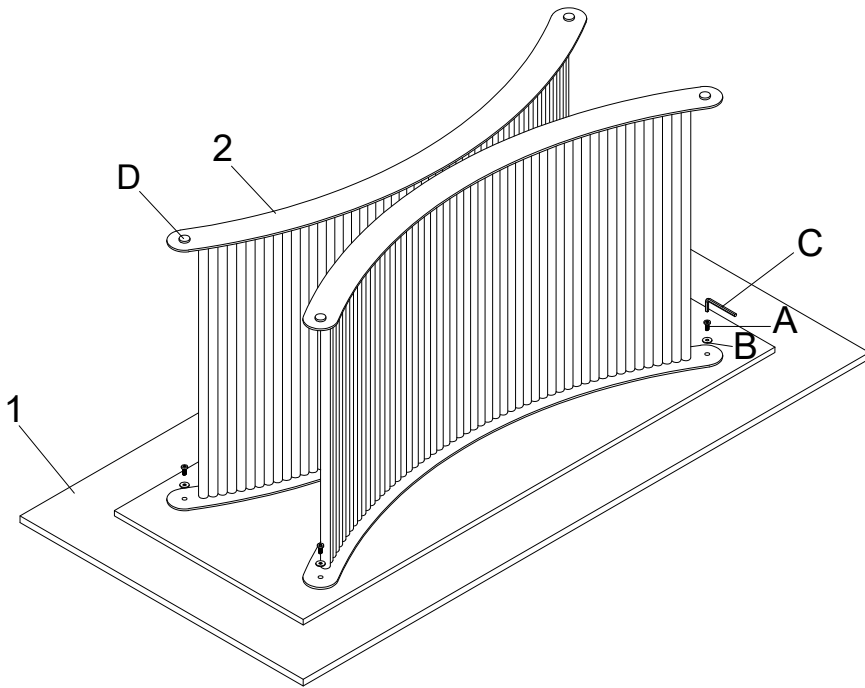
ASSEMBLY INSTRUCTION

Model: D7070DT

Description: DINING TABLE

Thank you for purchasing this quality product. Be sure to check all packing material carefully for small parts that may have come loose inside the carton during shipment

Step 1:



PART LIST:

No.	Description	Diagram	Quantity
1	CERAMIC TOP		1
2	STAINLESS STEEL LEG		1

HARDWARE LIST:

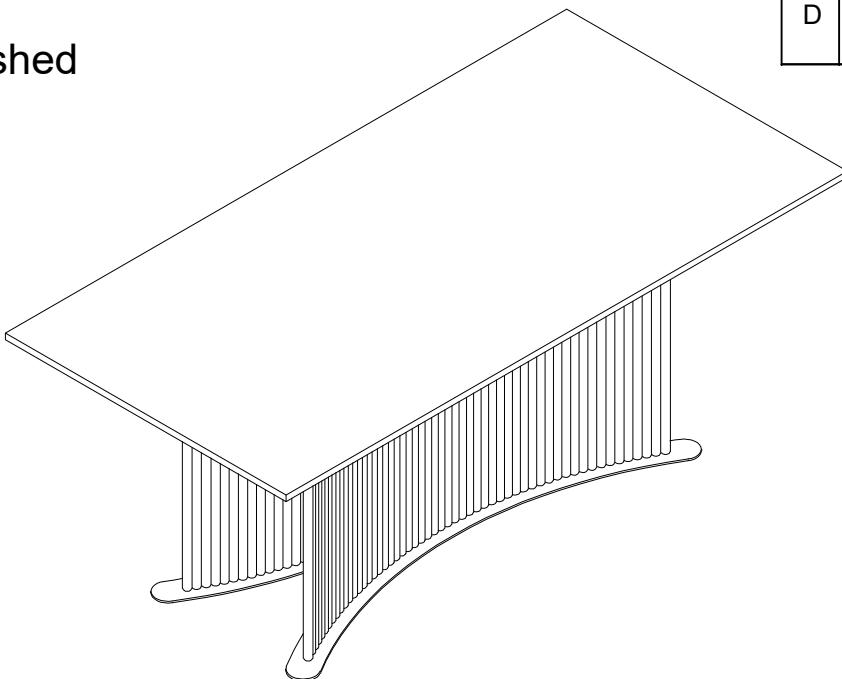
located in the carton 2 of 2(D7070DT-L)

No.	Description	Diagram	Size	Quantity
A	Bolt		M8×20mm	4
B	Flat washer		Ø18×8mm	4
C	Allen key		M5	1

PREFIX HARDWARE LIST

D	CAPS		ø40*8mm	4
---	------	--	---------	---

Finished



Made in China