

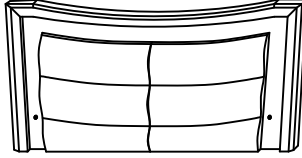
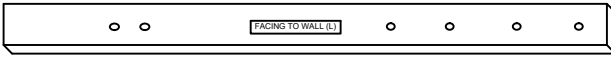
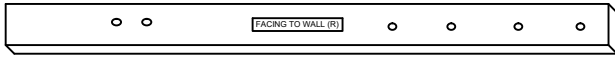
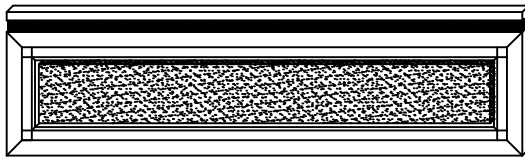
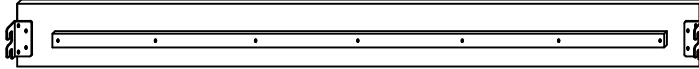
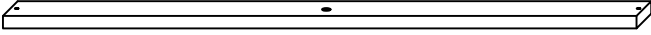
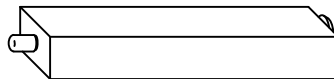

# COLLETE-WHITE-QB / FB ASSEMBLY INSTRUCTION

Thank you for purchasing this quality product. Be sure any small parts and hardware not for children under 3 years. Adult assembly required.

**"DO NOT TIGHTEN SCREWS UNTIL COMPLETELY ASSEMBLED"**

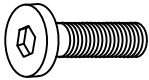
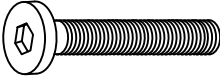
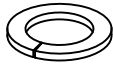
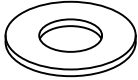



**"DO NOT OVERTIGHT ANY HARDWARE"**

## PARTS LIST

ITEM	DESCRIPTION	DRAWING	QTY
1	HEADBOARD		1 PC
2	HEADBOARD SUPPORT LEG - (L)		1 PC
3	HEADBOARD SUPPORT LEG - (R)		1 PC
4	FOOTBOARD		1 PC
5	SIDE RAIL (i)		2 PCS
6	SLAT		4 PCS
7	SUPPORT LEG (WITH PLASTIC COVER)		4 PCS
22	FOOTBOARD LEG		2 PCS

# COLLETE-WHITE-QB / FB ASSEMBLY INSTRUCTION

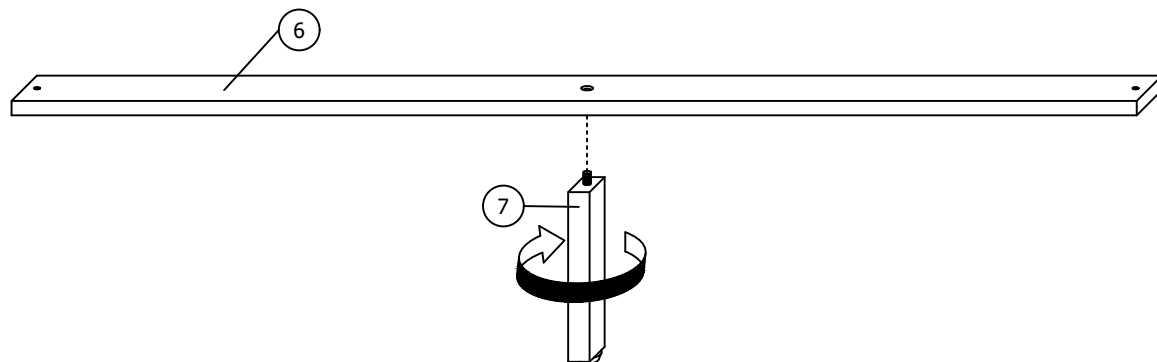
## HARDWARES LIST

ITEM	DESCRIPTION	DRAWING	QTY
A	JCBB SCREW M8 x 16MM		8 PCS
B	JCBB SCREW M8 x 40MM		12 PCS
C	SPRING WASHER M8 x 14MM		8 PCS
D	SPRING WASHER M8 x 22MM		8 PCS
E	CSK C/B SCREW (M4 x 32MM)		8 PCS
F	M5 ALLEN KEY (65MM)		1 PC
G	PLUG WITH CONNECTOR WIRE		1 PC

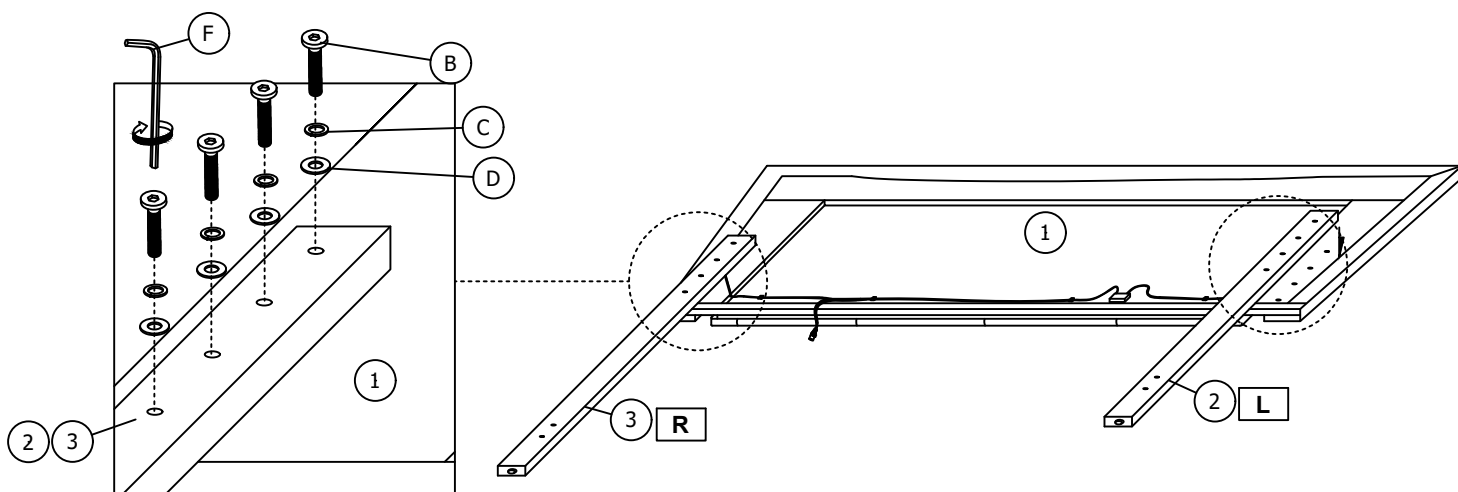
# COLLETE-WHITE-QB / FB ASSEMBLY INSTRUCTION

STEP 1

**x 4**

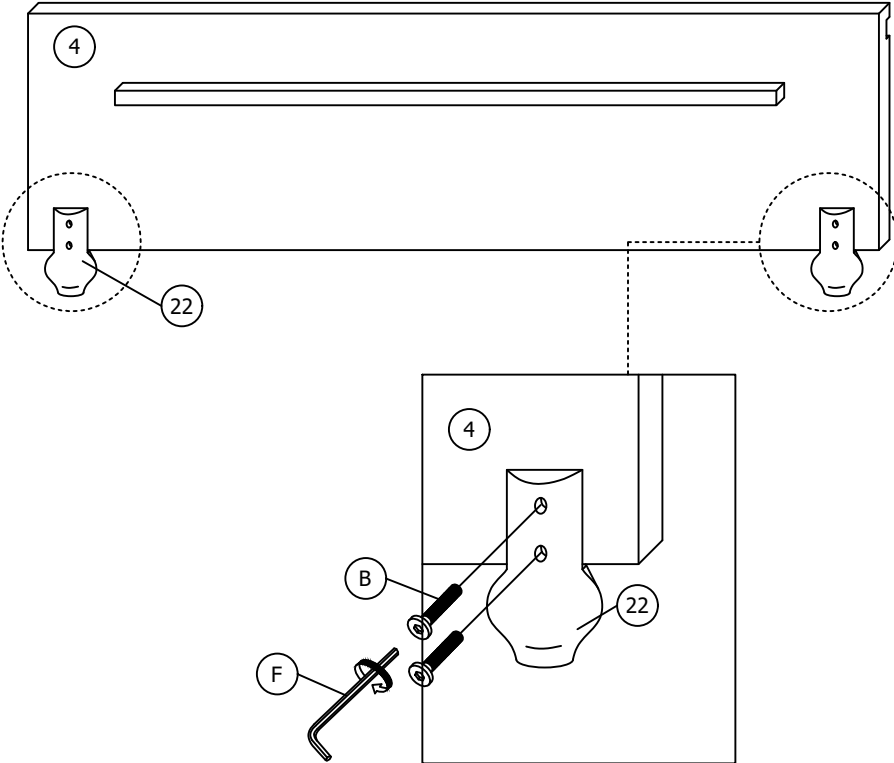


STEP 2

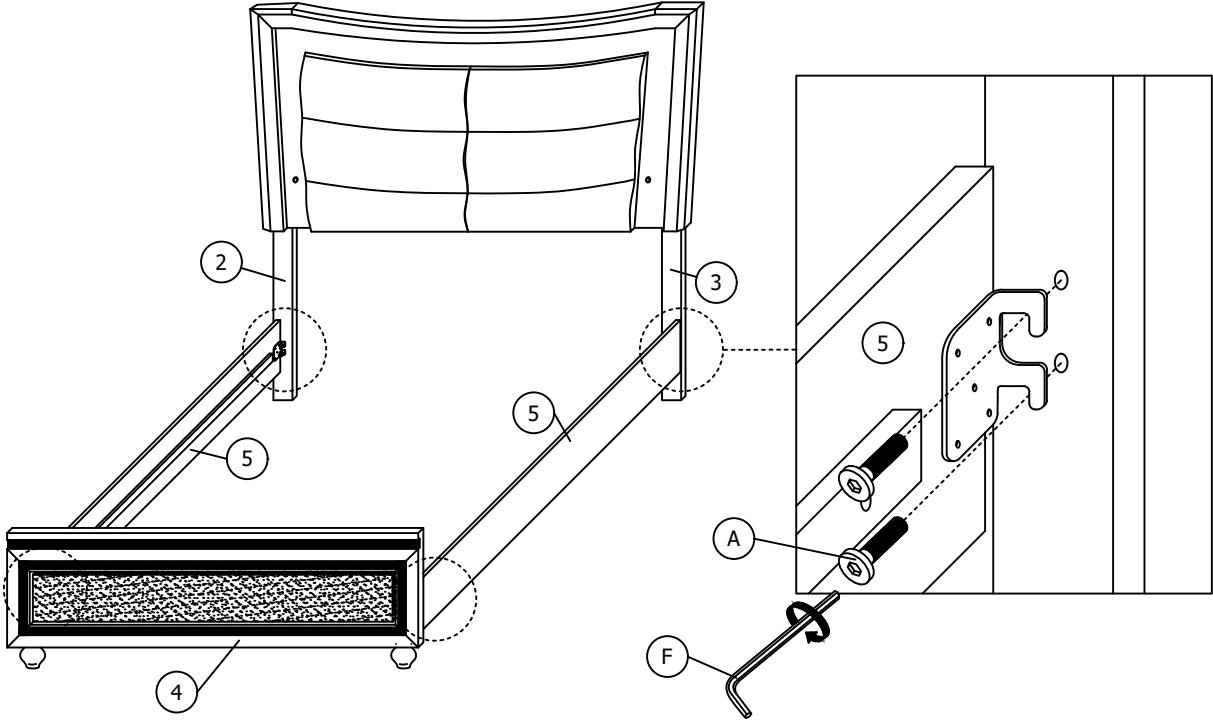


# COLLETE-WHITE-QB / FB ASSEMBLY INSTRUCTION

## STEP 3

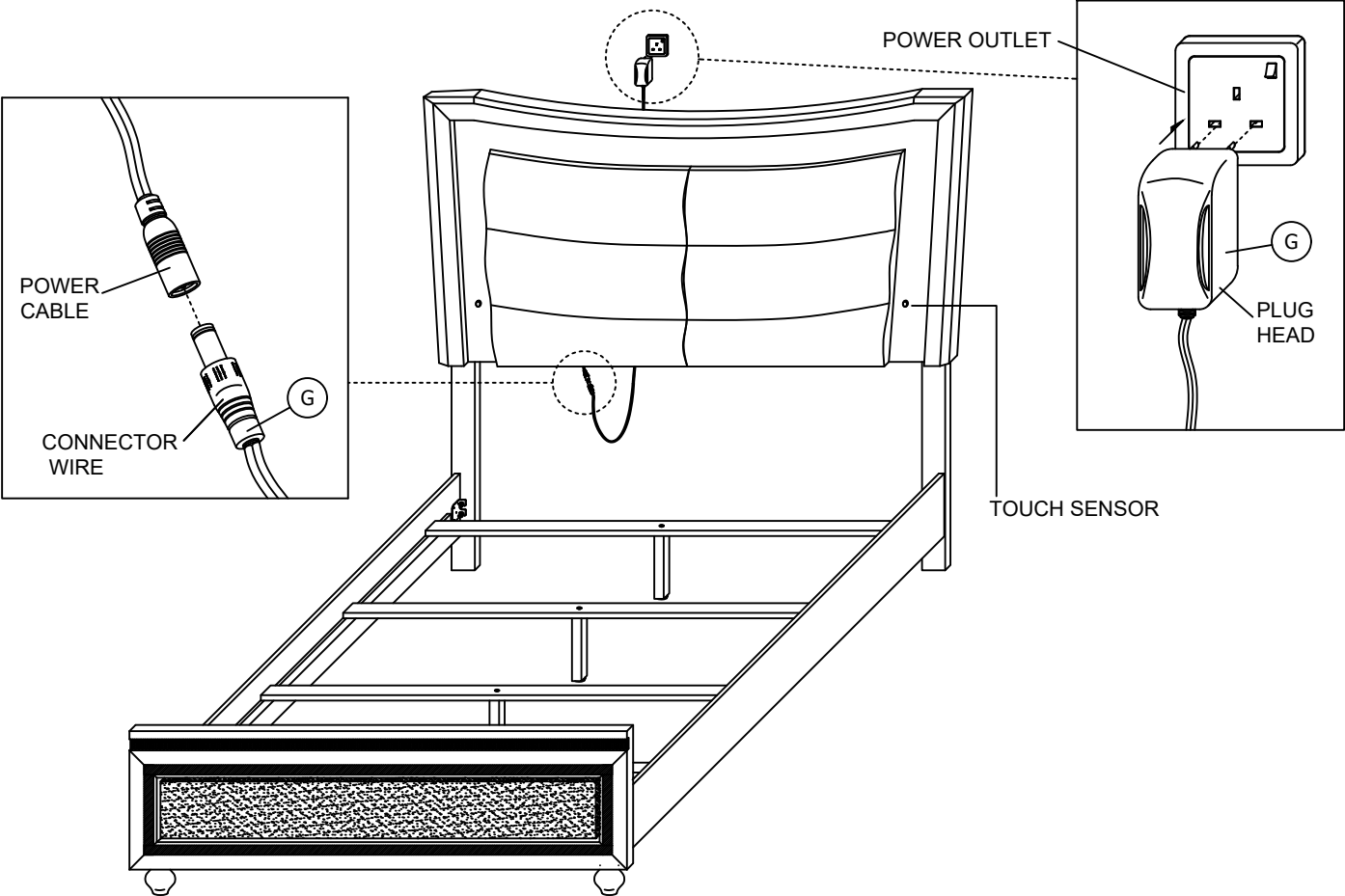
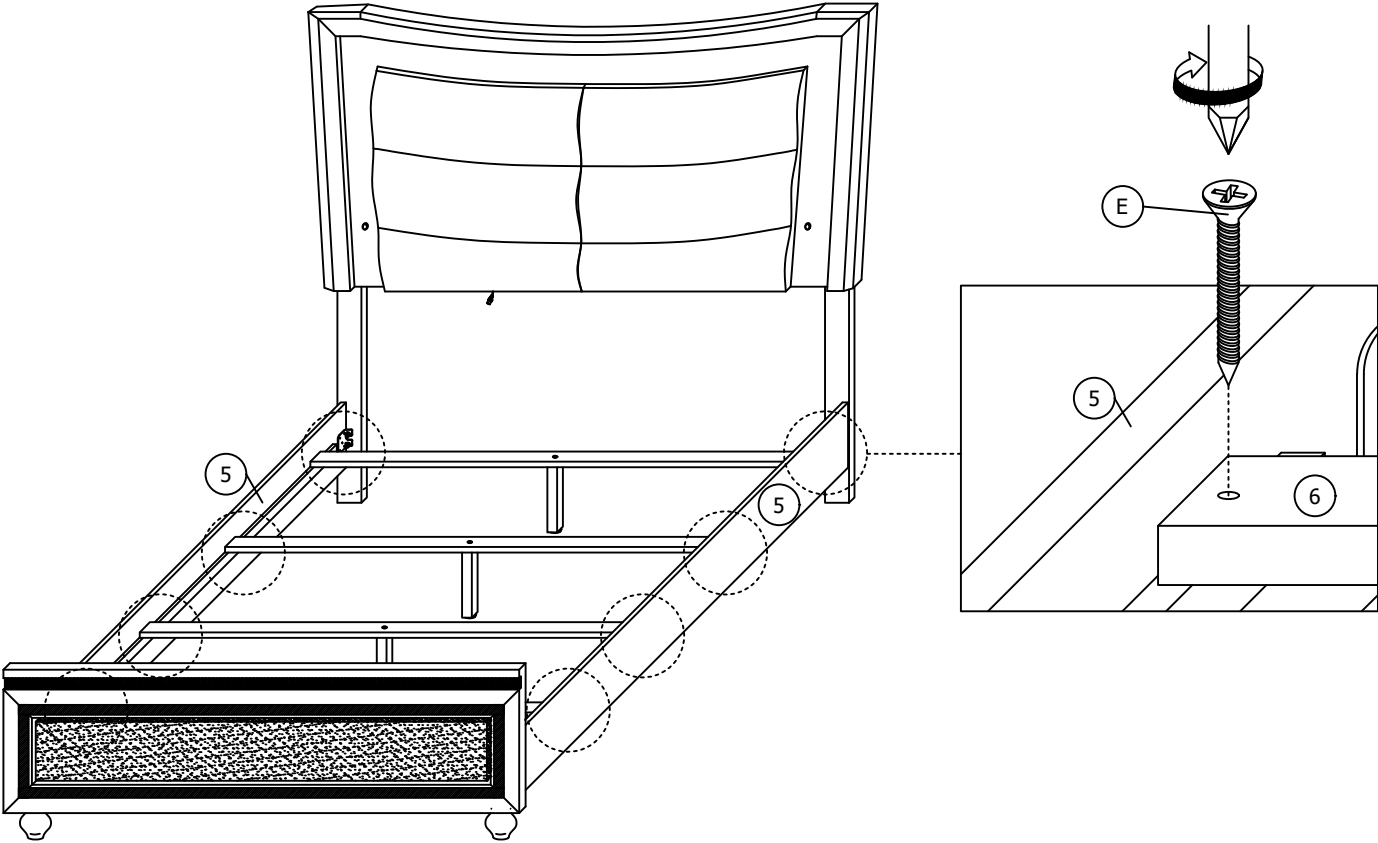


## STEP 4



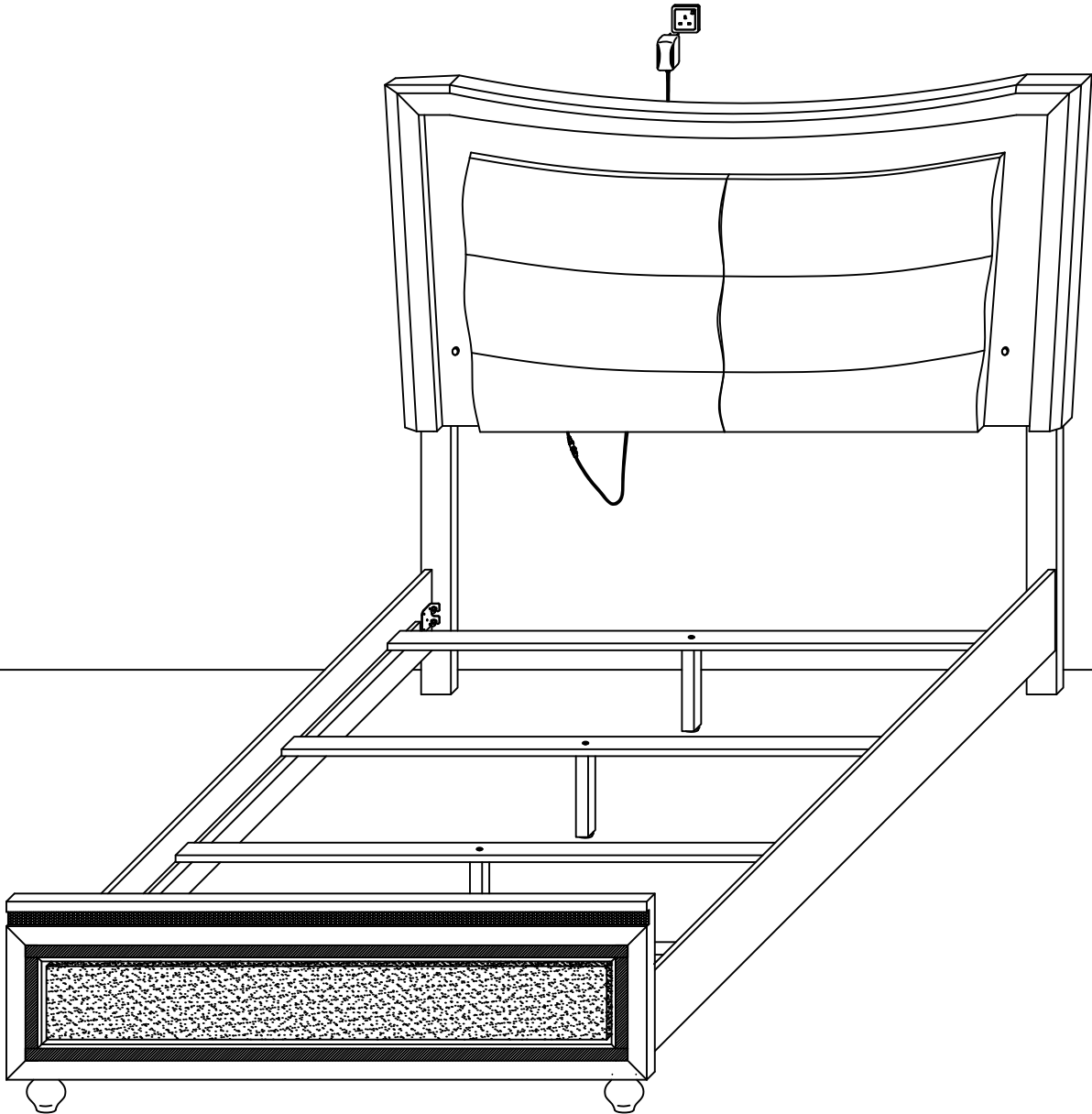
# COLLETE-WHITE-QB / FB ASSEMBLY INSTRUCTION

## STEP 5



COLLETE-WHITE-QB / FB ASSEMBLY INSTRUCTION

STEP 6



**ASSEMBLY COMPLETED**