

ASSEMBLY INSTRUCTION

Model : CARTER - KB - FB & KB - SR
KING

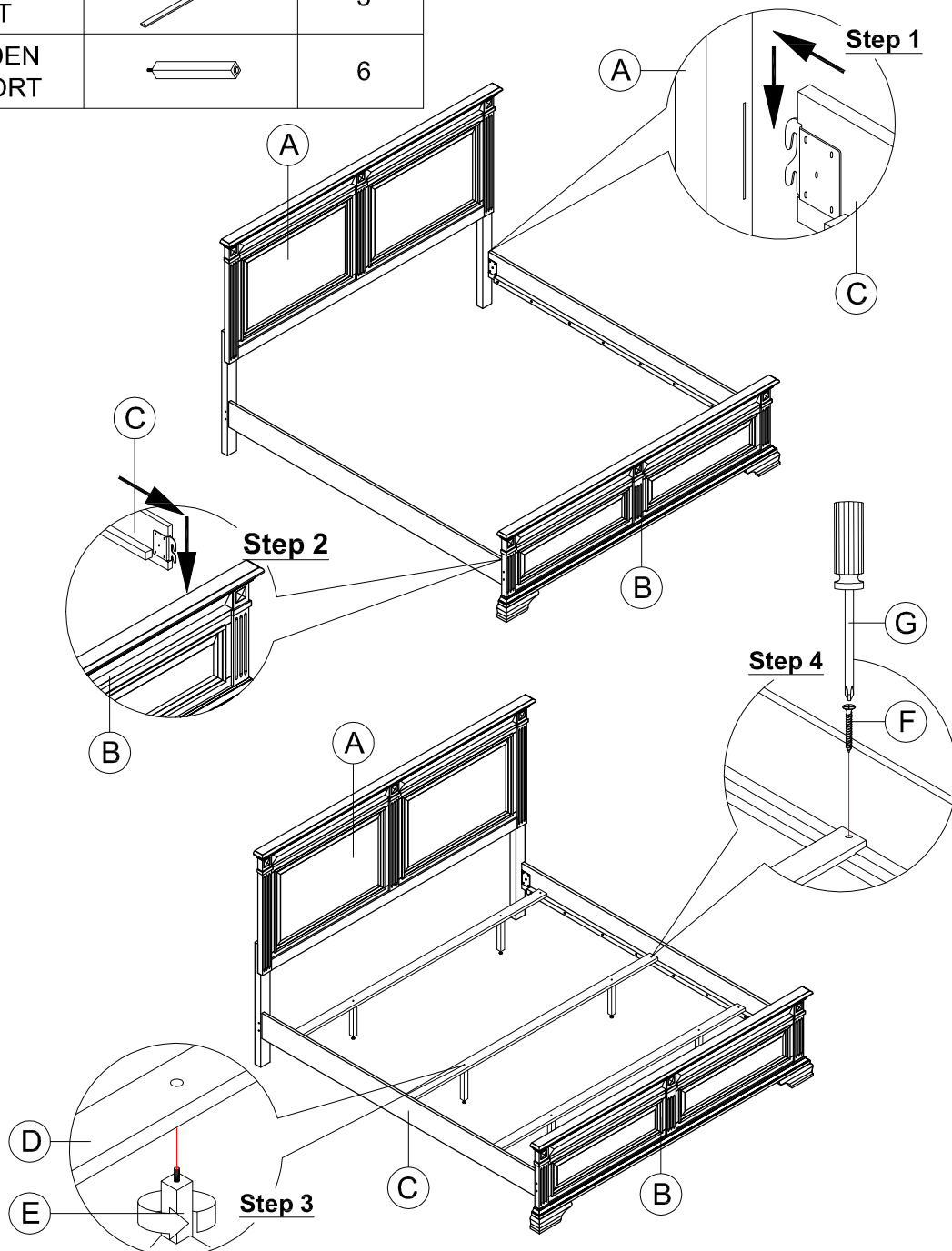
Description : King Headboard &
Footboard W/Slats & Side Rails Black

Thank you for purchasing this quality product. Be sure to check all packing material carefully for small parts that may have come loose inside the carton during shipment.

PART LIST :

HARDWARE LIST :

No.	Description	Diagram	Quantity	No.	Description	Diagram	Size	Quantity
A	HEADBOARD		1	F	CB SCREW		M4 x 32mm	6
B	FOOTBOARD		1	G	SCREW DRIVER (*)			1
C	SIDE RAIL		2	(*) The manufacturer does not provide item G.				
D	WOODEN SLAT		3					
E	WOODEN SUPPORT		6					



Made In Malaysia

ASSEMBLY INSTRUCTION


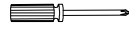
Model : CARTER - NS

Description : Night Stand Black

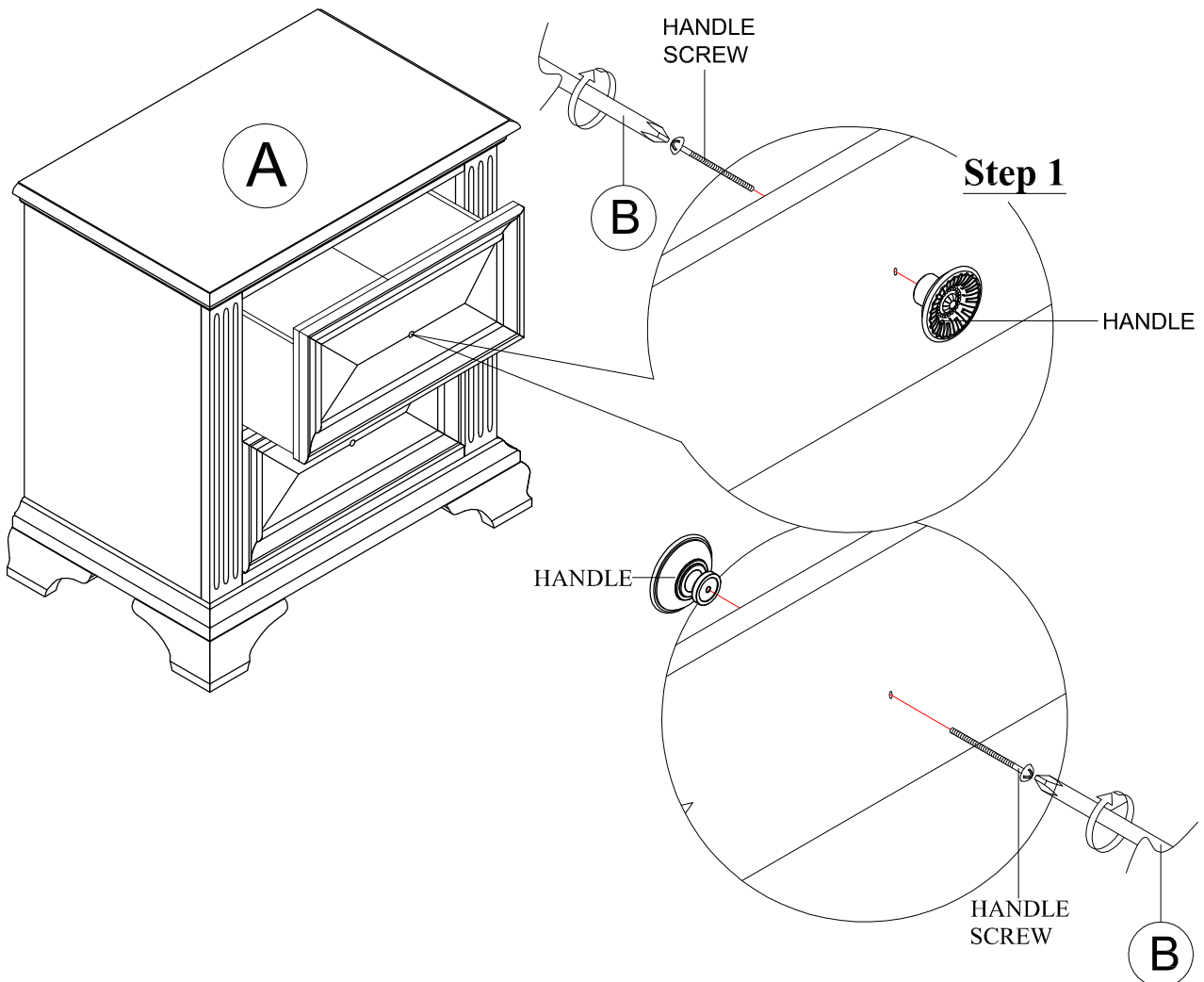
Thank you for purchasing this quality product. Be sure to check all packing material carefully for small parts that may have come loose inside the carton during shipment.

PART LIST :

HARDWARE LIST :

No.	Description	Diagram	Quantity	No.	Description	Diagram	Size	Quantity
A	NIGHT STAND		1	B	SCREW DRIVER (*)			1

(*) The manufacturer does not provide item B.



Made In Malaysia

1709B GLO NIGHT STAND

ASSEMBLY INSTRUCTION


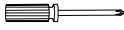
Model : CARTER - DR

Description : Dresser Black

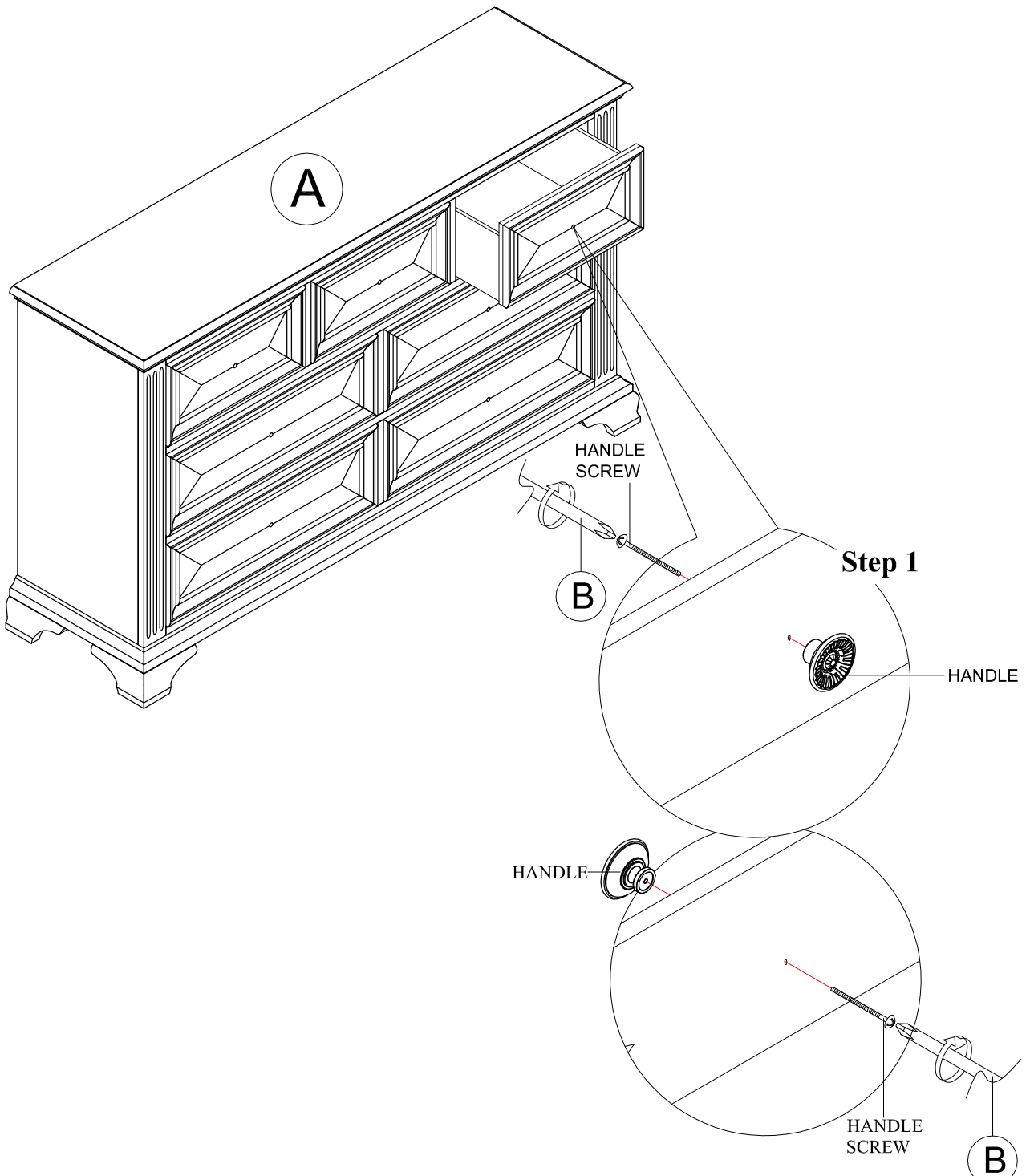
Thank you for purchasing this quality product. Be sure to check all packing material carefully for small parts that may have come loose inside the carton during shipment.

PART LIST :

HARDWARE LIST :

No.	Description	Diagram	Quantity	No.	Description	Diagram	Size	Quantity
A	DRESSER		1	B	SCREW DRIVER (*)			1

(*) The manufacturer does not provide item B.



Made In Malaysia

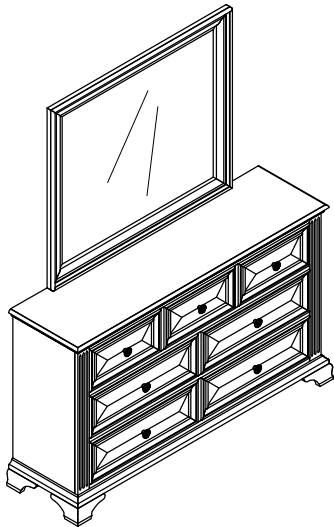
1709B GLO DRESSER

ASSEMBLY INSTRUCTION

Model : CARTER - MR

Description : Mirror Black

Thank you for purchasing this quality product. Be sure to check all packing material carefully for small parts that may have come loose inside the carton during shipment.



COMPLETED DRESSER & MIRROR ASSEMBLY

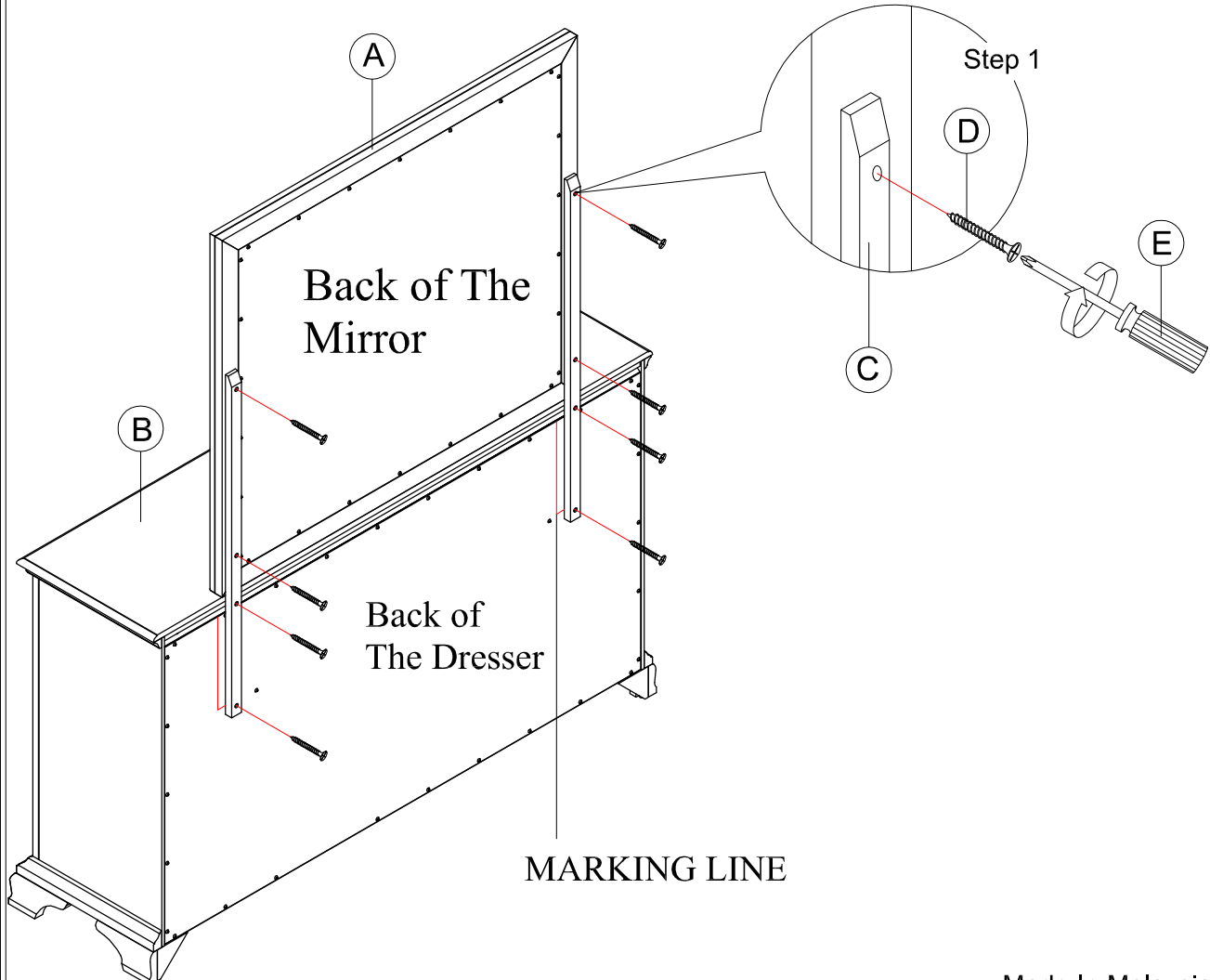
PART LIST :

No.	Description	Diagram	Quantity
A	MIRROR		1
B	DRESSER		1
C	MIRROR SUPPORT		2

HARDWARE LIST :

No.	Description	Diagram	Size	Quantity
D	CB SCREW		M4 x 32mm	8
E	SCREW DRIVER (*)			1

(*) The manufacturer does not provide item E.



Made In Malaysia

1709B GLO DRESSER & MIRROR

ASSEMBLY INSTRUCTION


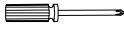
Model : CARTER - CH

Description : Chest Black

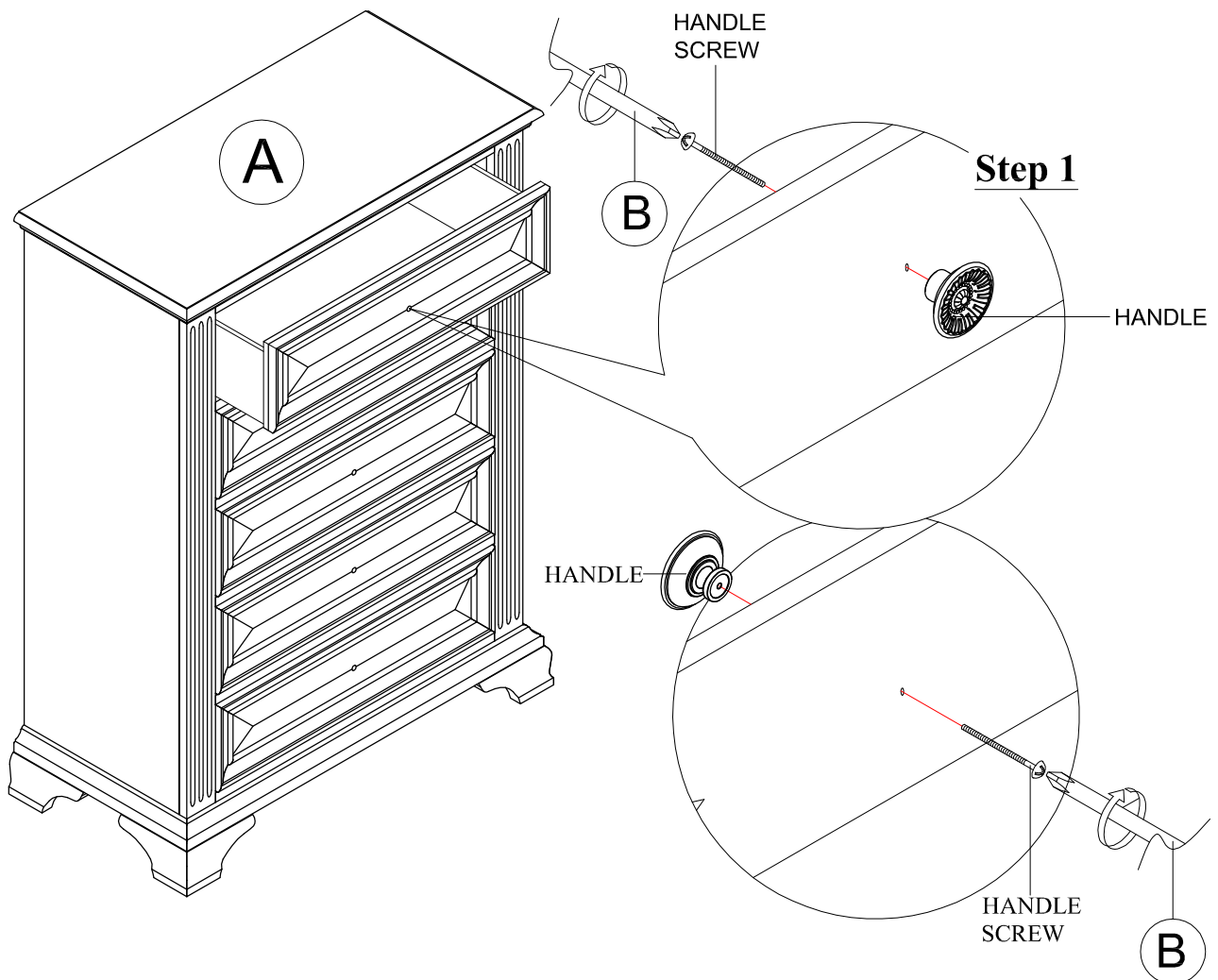
Thank you for purchasing this quality product. Be sure to check all packing material carefully for small parts that may have come loose inside the carton during shipment.

PART LIST :

HARDWARE LIST :

No.	Description	Diagram	Quantity	No.	Description	Diagram	Size	Quantity
A	CHEST		1	B	SCREW DRIVER (*)			1

(*) The manufacturer does not provide item B.



Made In Malaysia

1709B GLO CHEST