

ASSEMBLY INSTRUCTION

Description : QUEEN BED-HEADBOARD WITH LED
-FOOTBOARD WITH LED & SLATS
-SIDERAILS

Model : ALINA/LOLA-WHITE-QB-HB W/LED-FB-W/LED-QB/KB-SR

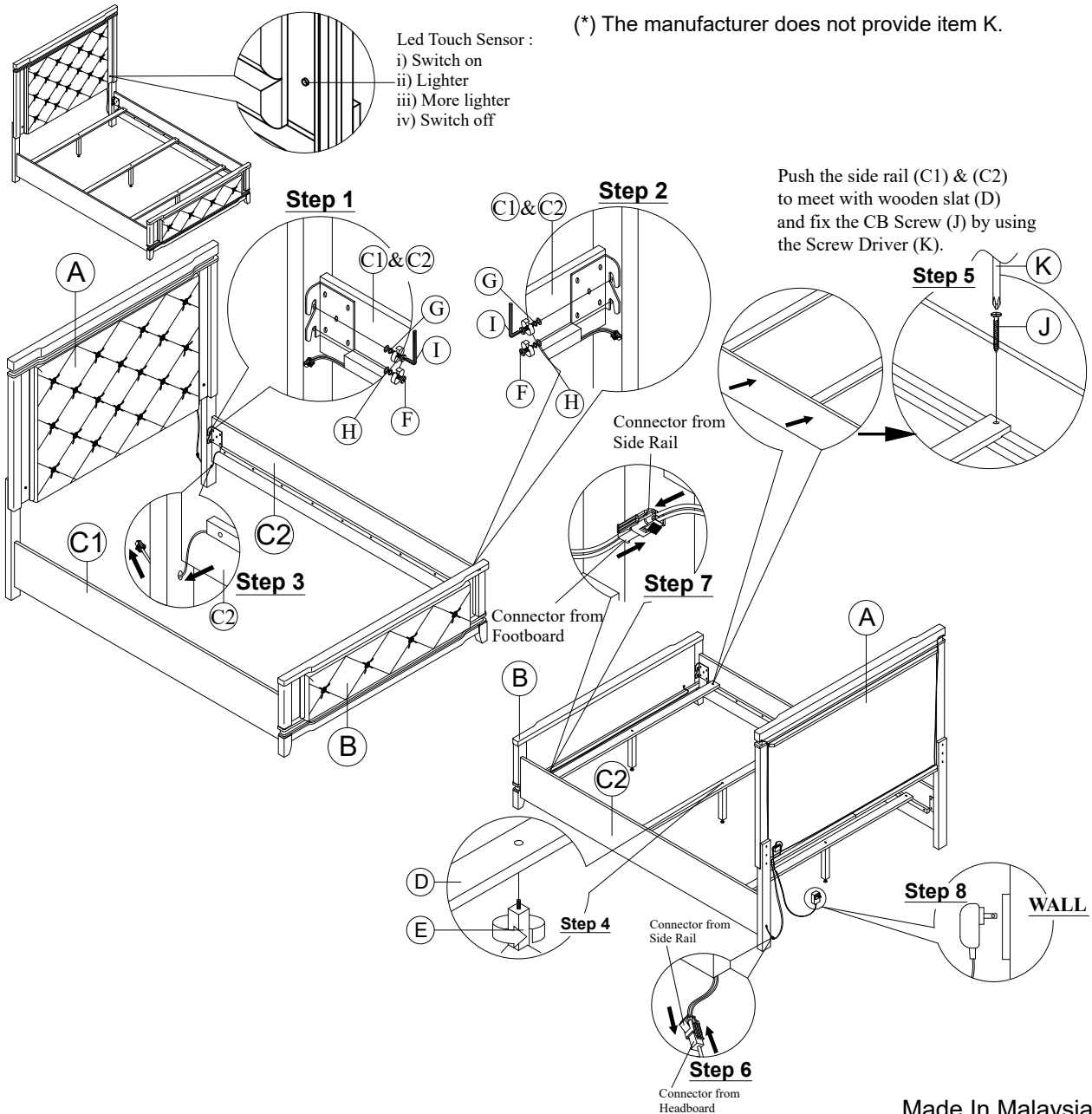
Thank you for purchasing this quality product. Be sure to check all packing material carefully for small parts that may have come loose inside the carton during shipment.

PART LIST :

HARDWARE LIST :

No.	Description	Diagram	Quantity	No.	Description	Diagram	Size	Quantity
A	HEADBOARD LED WITH CONNECTOR		1	F	JCBB SCREW		M8 x 25mm	8
B	FOOTBOARD LED WITH CONNECTOR		1	G	SPRING WASHER		M8 x 15mm	8
C1	SIDE RAIL (LEFT)		1	H	FLAT WASHER		M8 x 22mm	8
C2	SIDE RAIL WITH CONNECTOR (RIGHT)		1	I	ALLEN KEY		M5	1
D	WOODEN SLAT		3	J	CB SCREW		M4 x 32mm	6
E	WOODEN SUPPORT		3	K	SCREW DRIVER (*)			1

(*) The manufacturer does not provide item K.



Made In Malaysia

2340W GLO QUEEN BED

ASSEMBLY INSTRUCTION

Model : ALINA-WHITE-CH W/LED

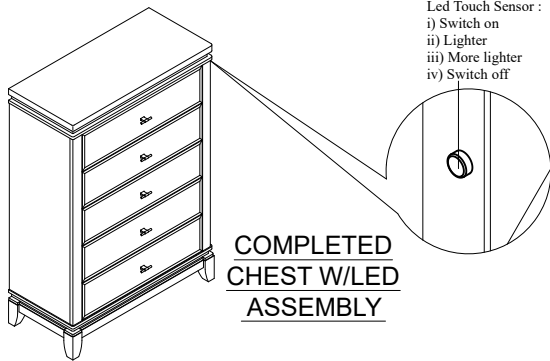
Description : CHEST WITH LED

Thank you for purchasing this quality product. Be sure to check all packing material carefully for small parts that may have come loose inside the carton during shipment.

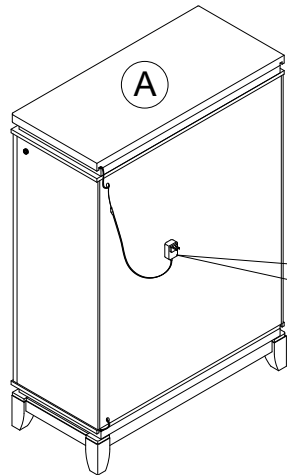
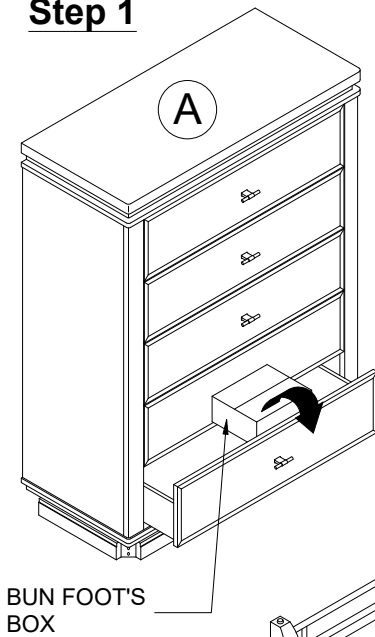
PART LIST :

HARDWARE LIST :

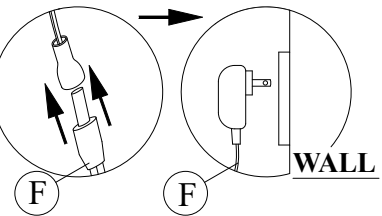
No.	Description	Diagram	Quantity	No.	Description	Diagram	Size	Quantity
A	CHEST WITH LED		1	C	FLAT WASHER		M8 x 22mm	8
B	BUN FOOT		4	D	SPRING WASHER		M8 x 15mm	8
E	HEX NUT			E	HEX NUT		M8	8
F	WRENCH			F	WRENCH			1
G	ADAPTOR			G	ADAPTOR			1



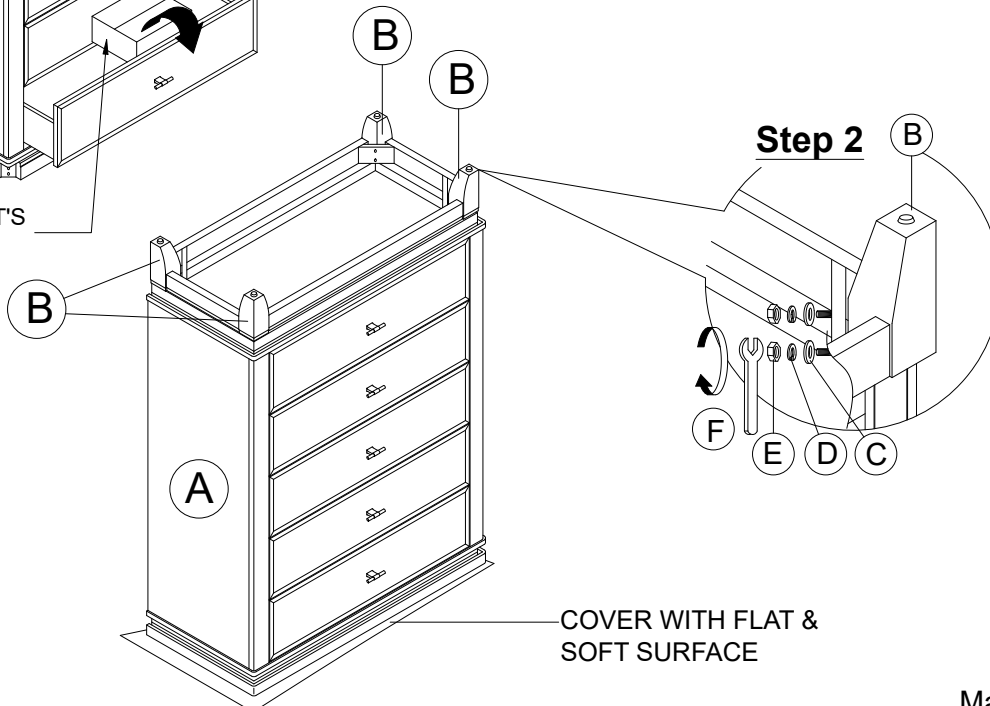
Step 1



Step 3



Step 2



Made In Malaysia

2340W GLO CHEST W/LED

ASSEMBLY INSTRUCTION

Model : ALINA-WHITE-DR W/LED

Description : DRESSER WITH LED

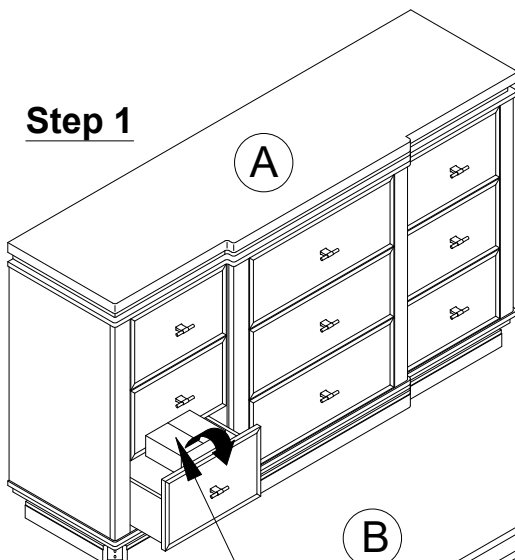
Thank you for purchasing this quality product. Be sure to check all packing material carefully for small parts that may have come loose inside the carton during shipment.

PART LIST :

HARDWARE LIST :

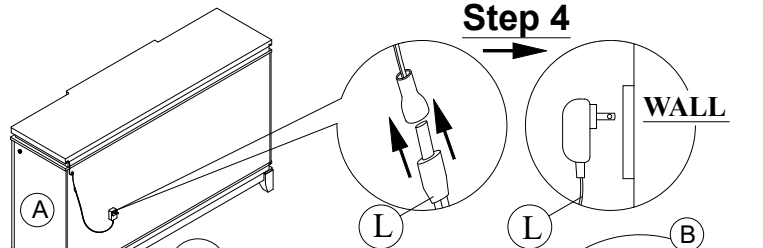
No.	Description	Diagram	Quantity	No.	Description	Diagram	Size	Quantity
A	DRESSER		1	D	FLAT WASHER		M8 x 22mm	8
B	BUN FOOT		4	E	SPRING WASHER		M8 x 15mm	8
C	CENTER SUPPORT		1	F	HEX NUT		M8	8
<p>Led Touch Sensor : i) Switch on ii) Lighter iii) More lighter iv) Switch off</p> <p>COMPLETED DRESSER W/LED ASSEMBLY</p>				G	JCBC SCREW		(M6 x 35mm)	4
				H	SPRING WASHER		(M6 x 13mm)	4
				I	FLAT WASHER		(M6 x 19mm)	4
				J	WRENCH			1
				K	ALLEN KEY (M4)		(M4)	1
				L	ADAPTOR			1

Step 1

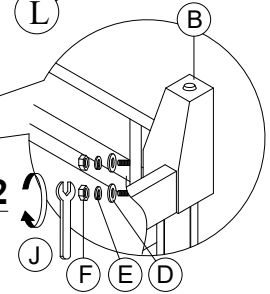


Bun Foot's Box & Center Support

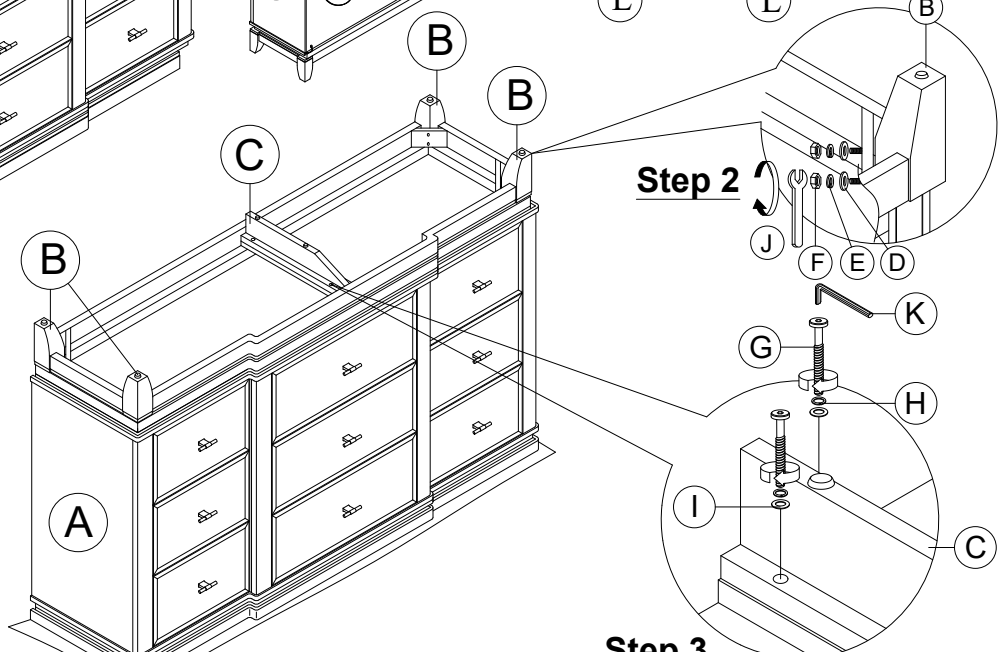
Step 4



Step 2



Step 3



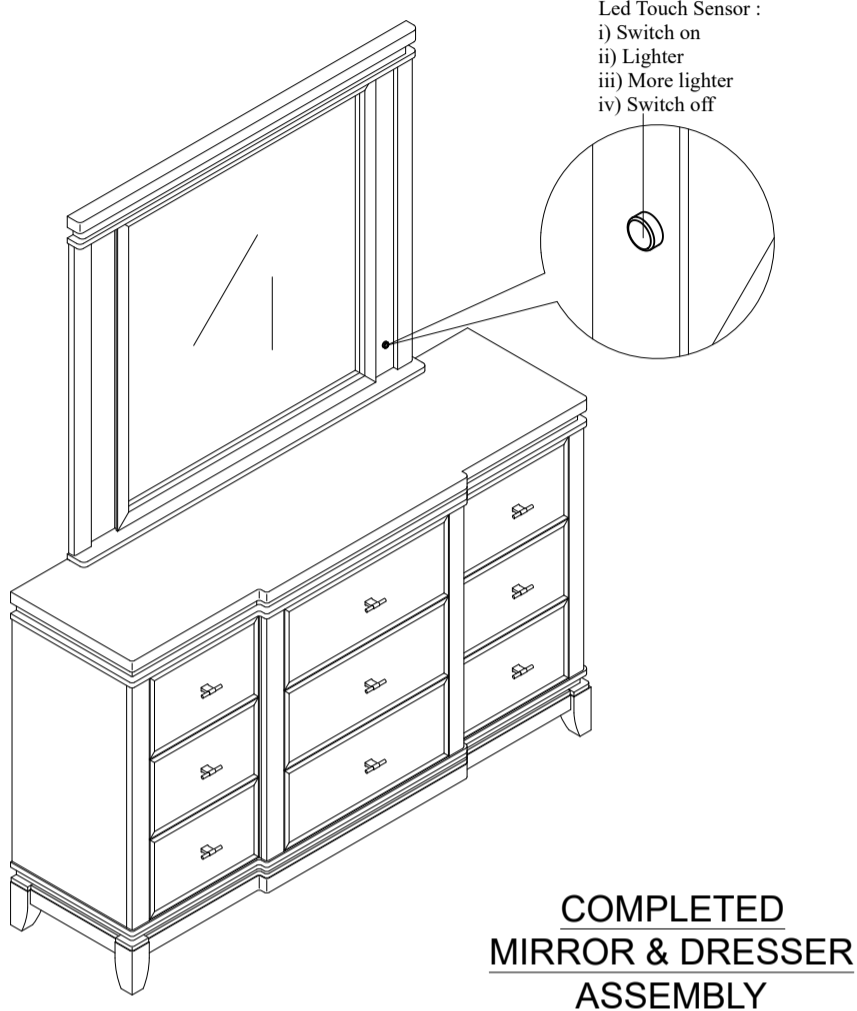
Made In Malaysia

ASSEMBLY INSTRUCTION

Model : ALINA-WHITE-MR W/LED & DR W/LED

Description : MIRROR W/LED & DRESSER W/LED

Thank you for purchasing this quality product. Be sure to check all packing material carefully for small parts that may have come loose inside the carton during shipment.



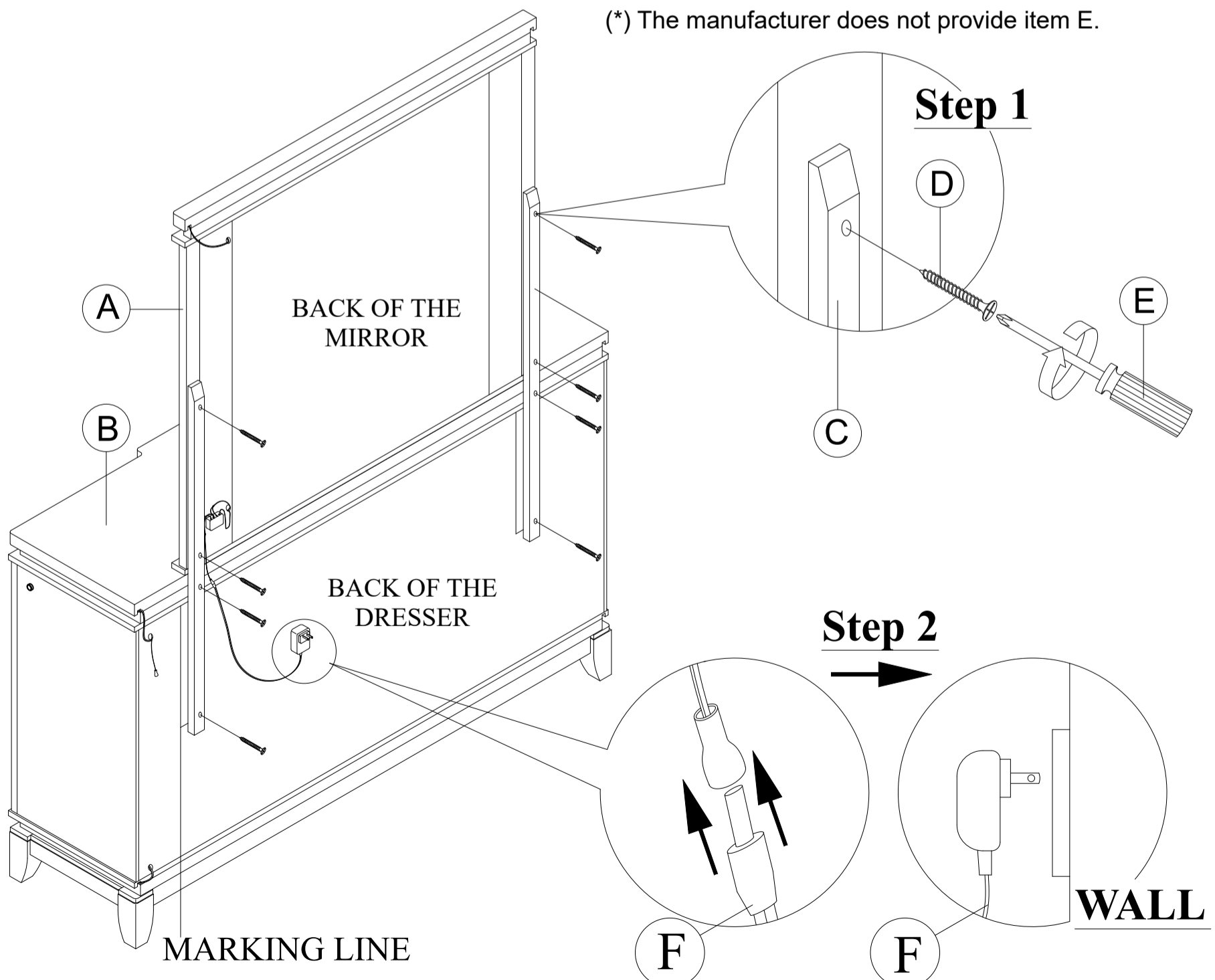
PART LIST :

No.	Description	Diagram	Quantity
A	MIRROR		1
B	DRESSER		1
C	MIRROR SUPPORT		2

HARDWARE LIST :

No.	Description	Diagram	Size	Quantity
D	CB SCREW		M4 x 32mm	8
E	SCREW DRIVER (*)			1
F	ADAPTOR			1

(*) The manufacturer does not provide item E.



Made In Malaysia

2340W GLO MIRROR & DRESSER

ASSEMBLY INSTRUCTION

Model : ALINA-WHITE-NS W/LED+USB (A+C)

Description : NIGHT STAND WITH LED AND USB-A/C

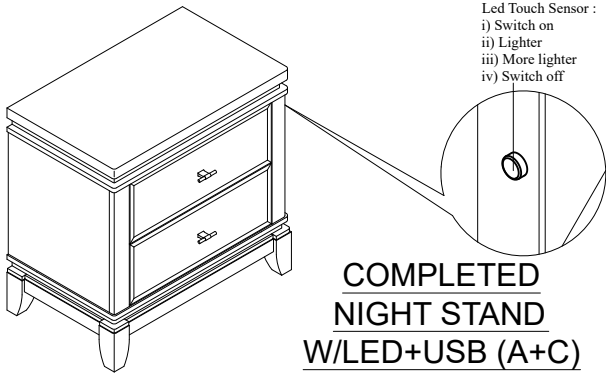
Thank you for purchasing this quality product. Be sure to check all packing material carefully for small parts that may have come loose inside the carton during shipment.

PART LIST :

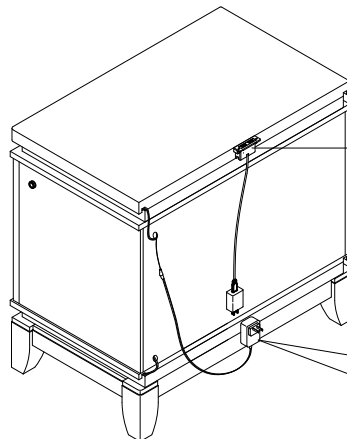
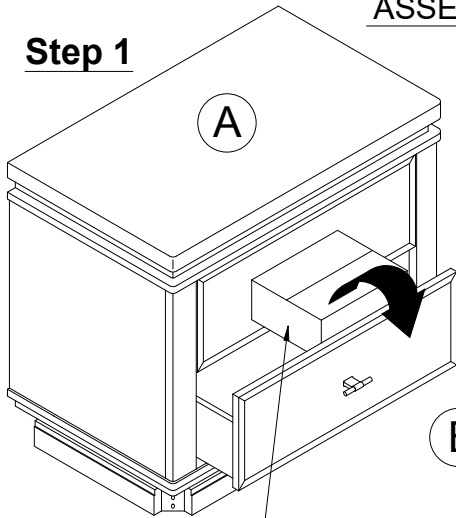
HARDWARE LIST :

No.	Description	Diagram	Quantity	No.	Description	Diagram	Size	Quantity
A	NIGHTSTAND WITH LED AND USB-A/C		1	C	FLAT WASHER		M8 x 22mm	8
B	BUN FOOT		4	D	SPRING WASHER		M8 x 15mm	8
E	HEX NUT			M8				8
F	WRENCH							1
G	ADAPTOR							1

Led Touch Sensor :
 i) Switch on
 ii) Lighter
 iii) More lighter
 iv) Switch off

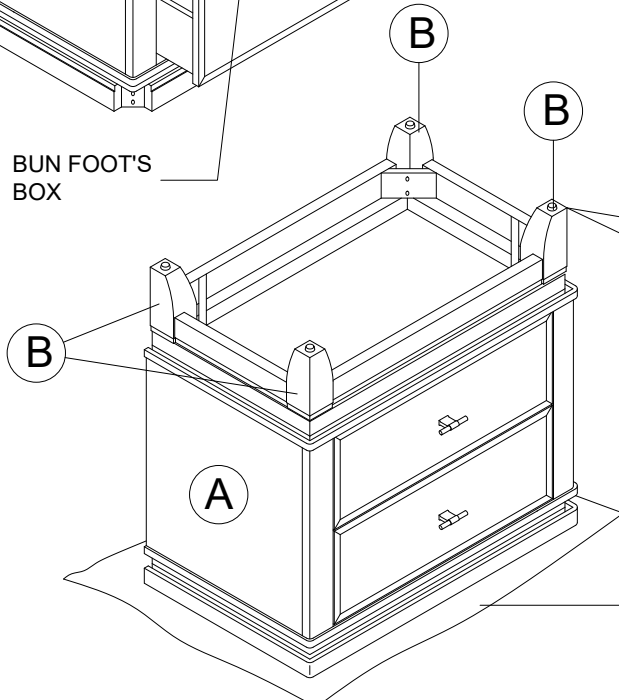
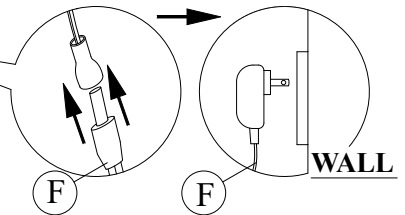


Step 1

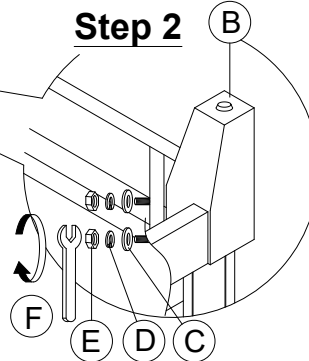


USB (A+C)

Step 3



Step 2



COVER WITH FLAT & SOFT SURFACE

Made In Malaysia

2340W GLO NIGHT STAND W/LED