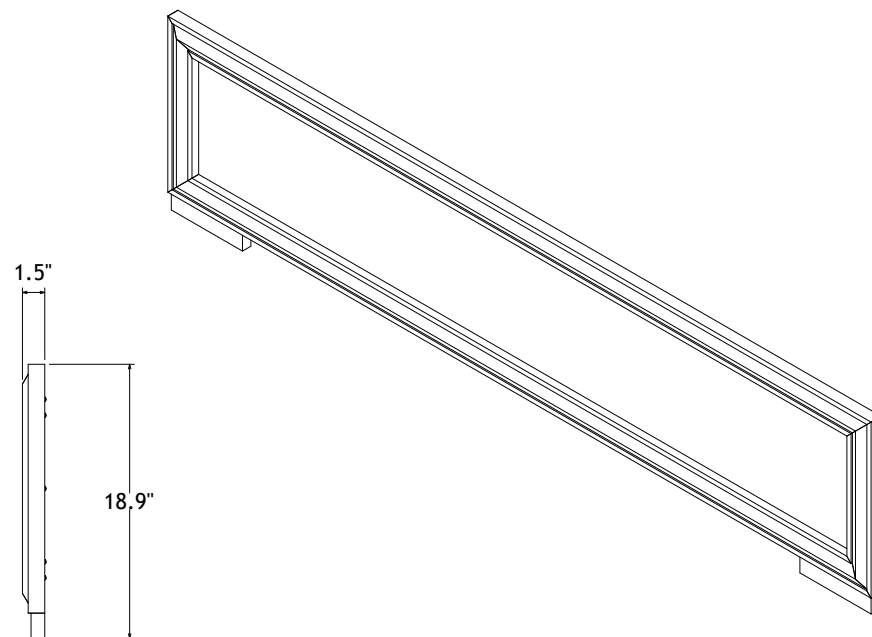
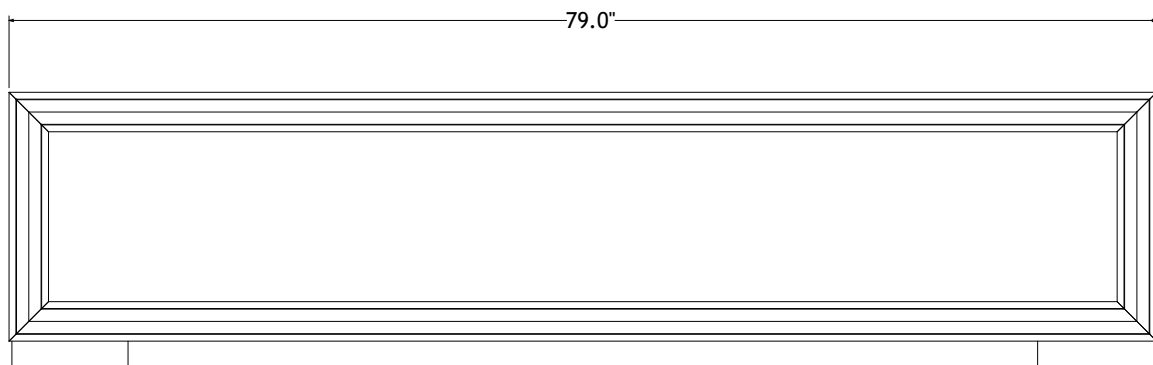
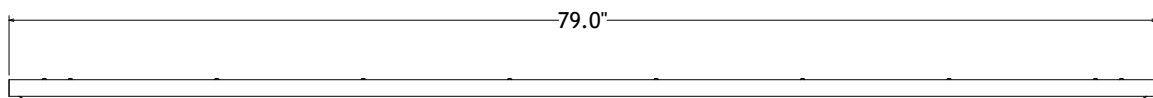
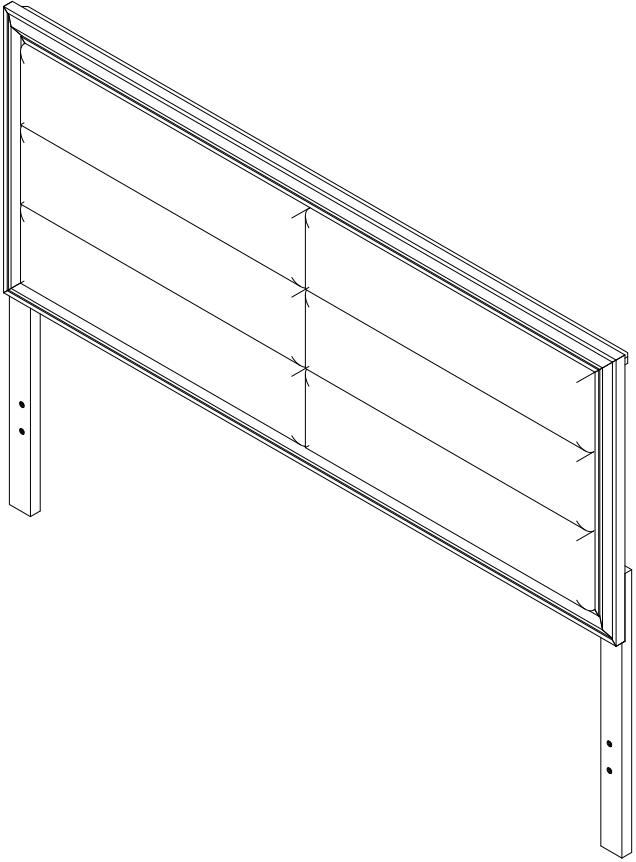
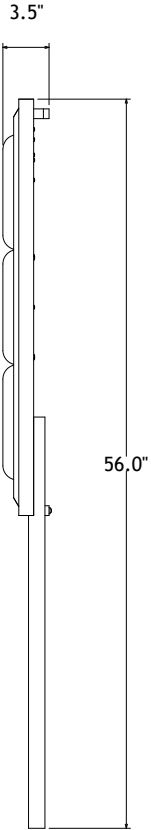
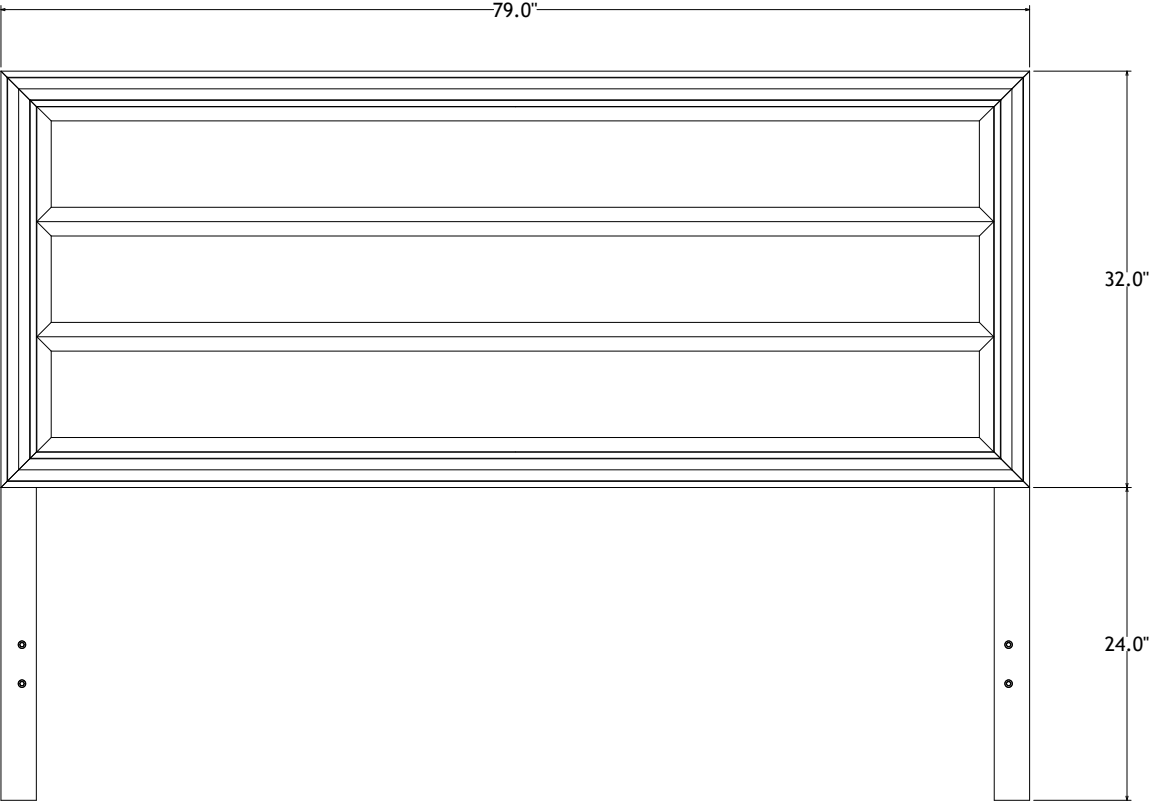
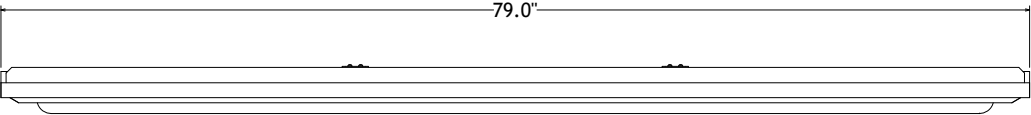


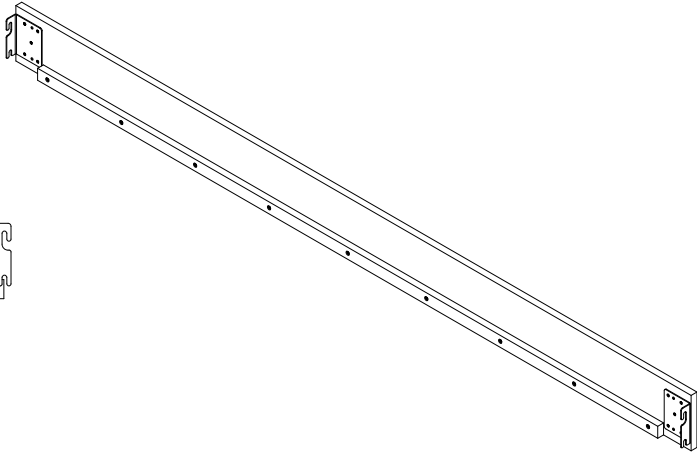
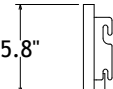
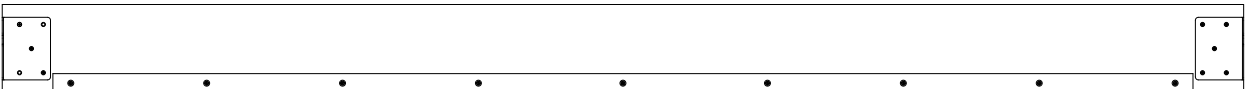
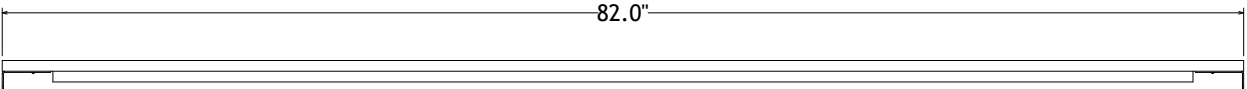
AMELIA-EFB



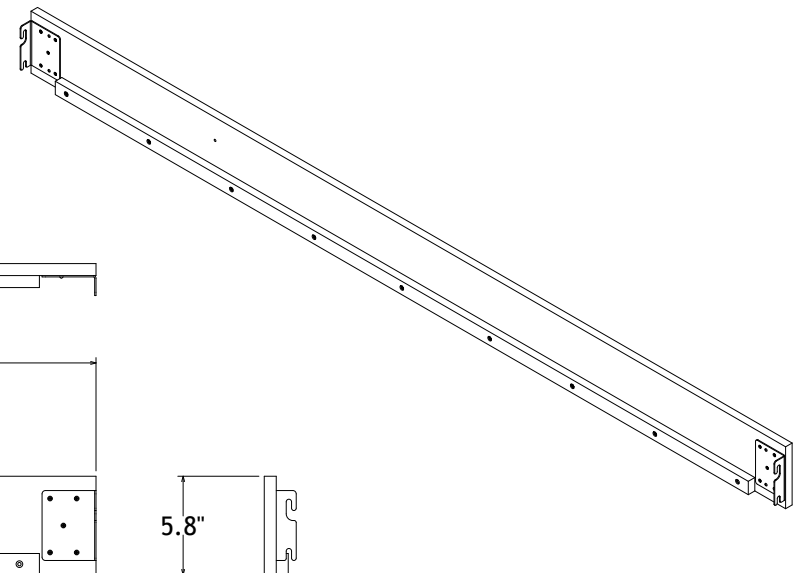
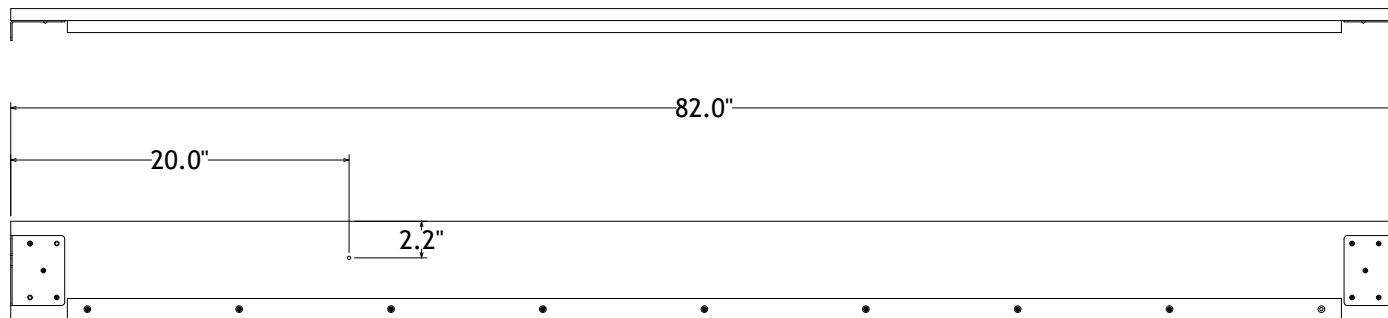
AMELIA-EHB-UPH



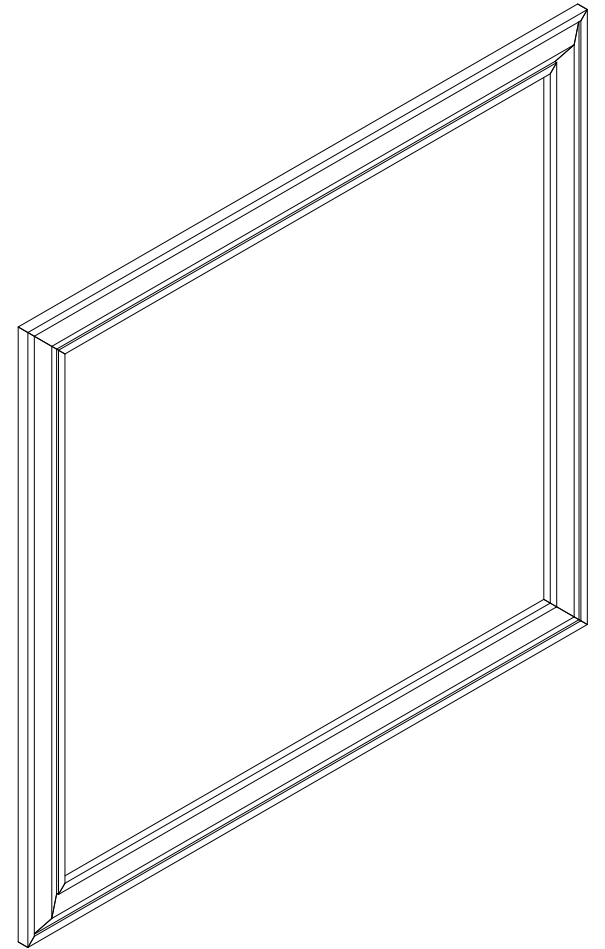
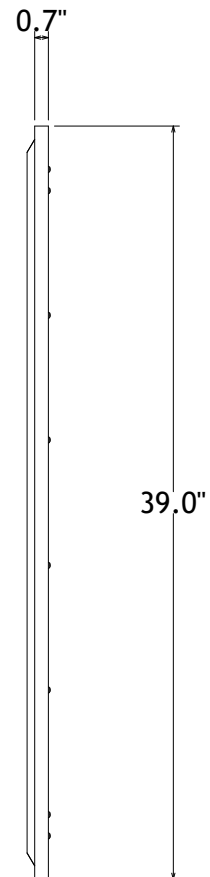
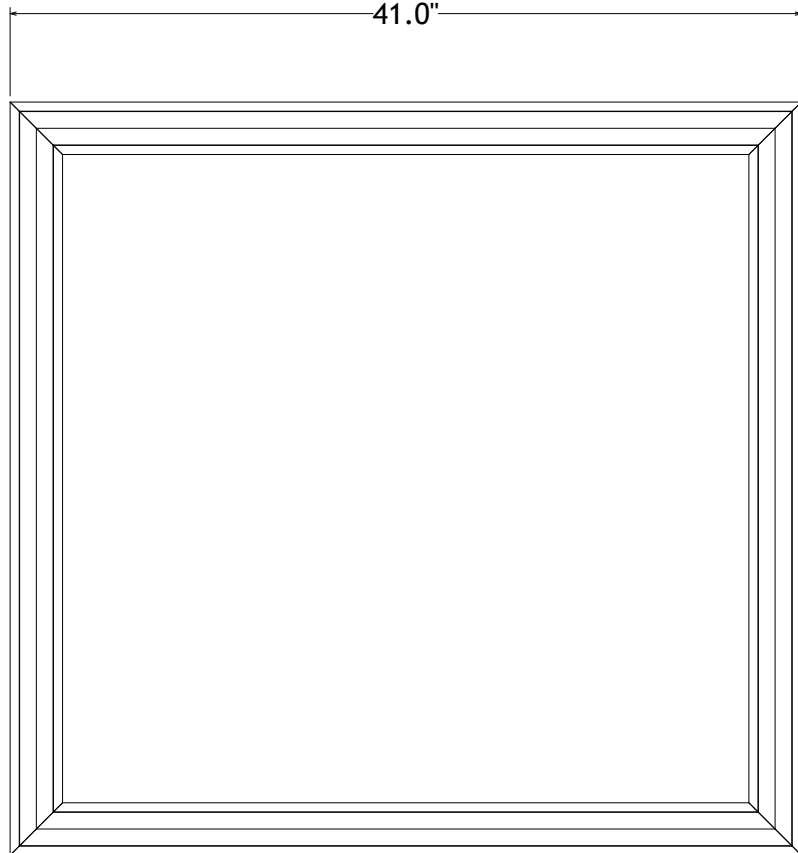
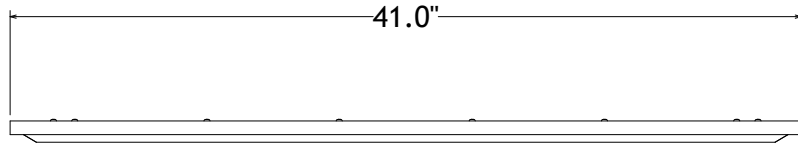
AMELIA-ESR-L

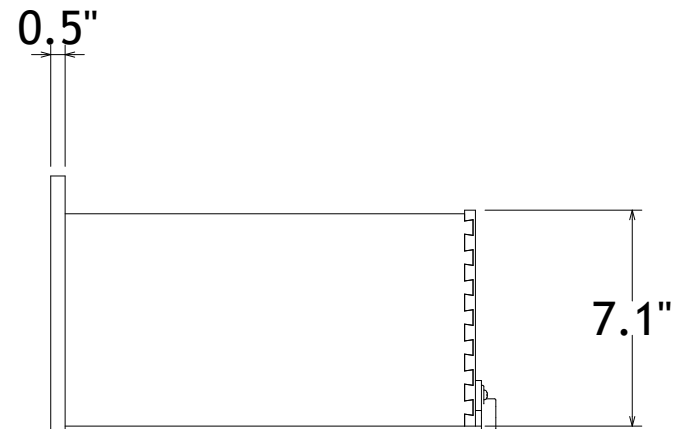
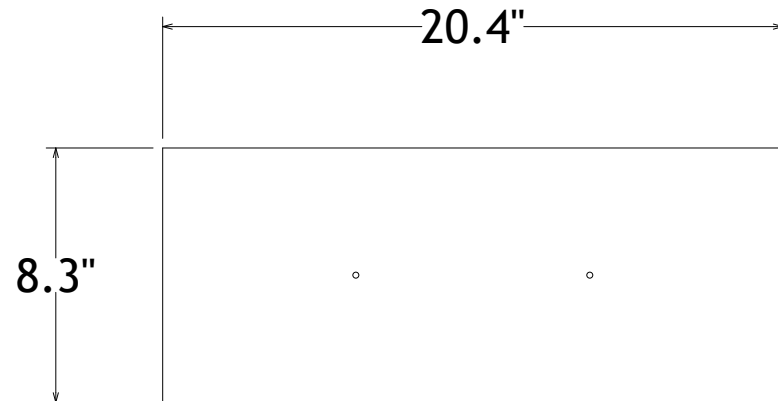
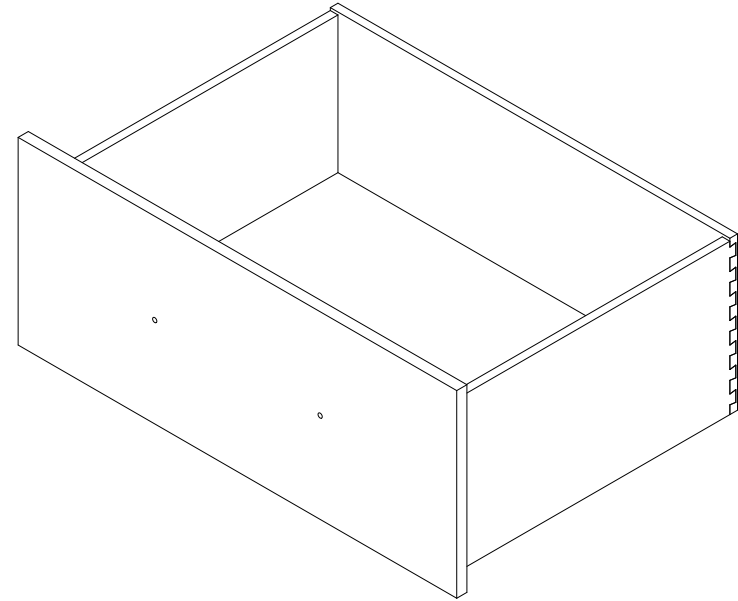
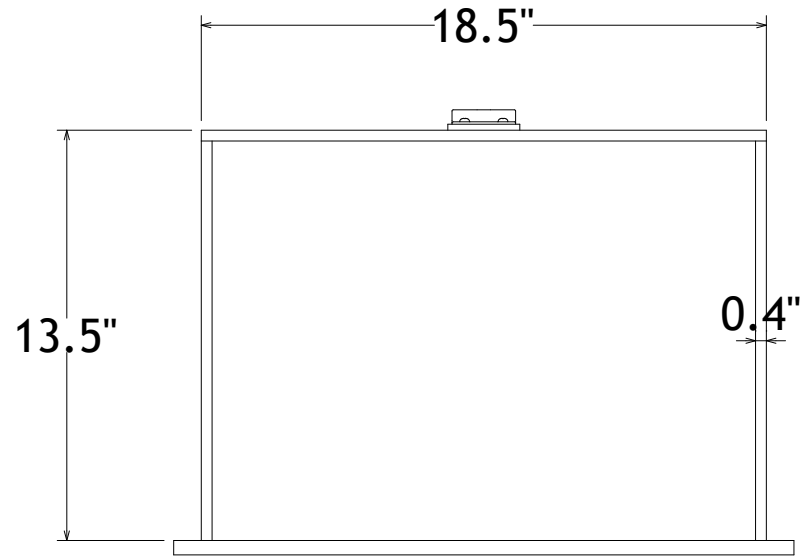


AMELIA-ESR-R

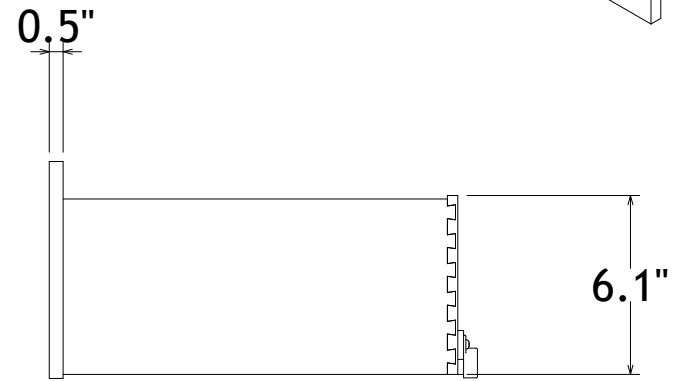
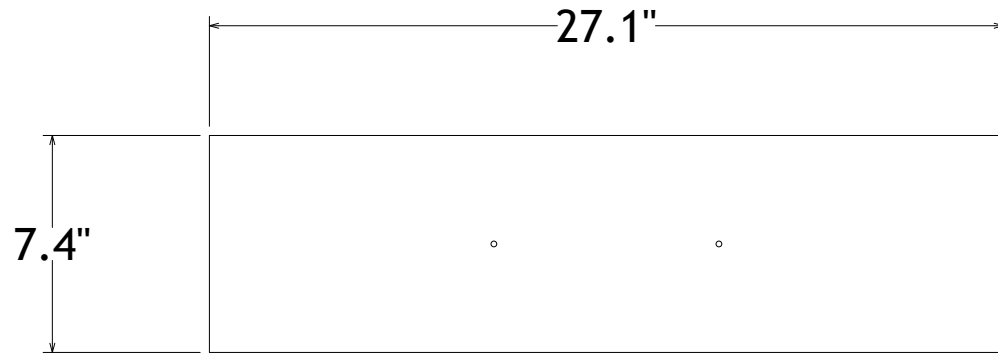
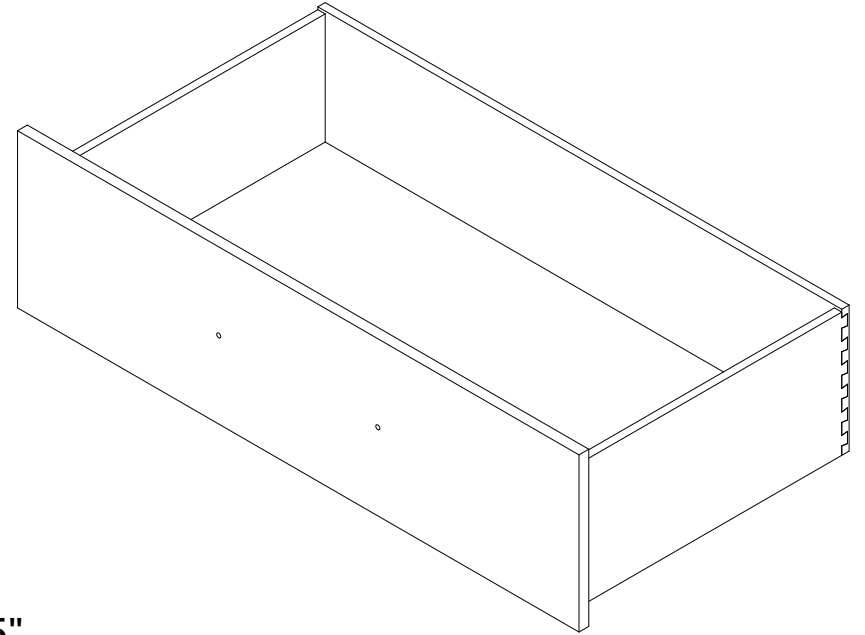
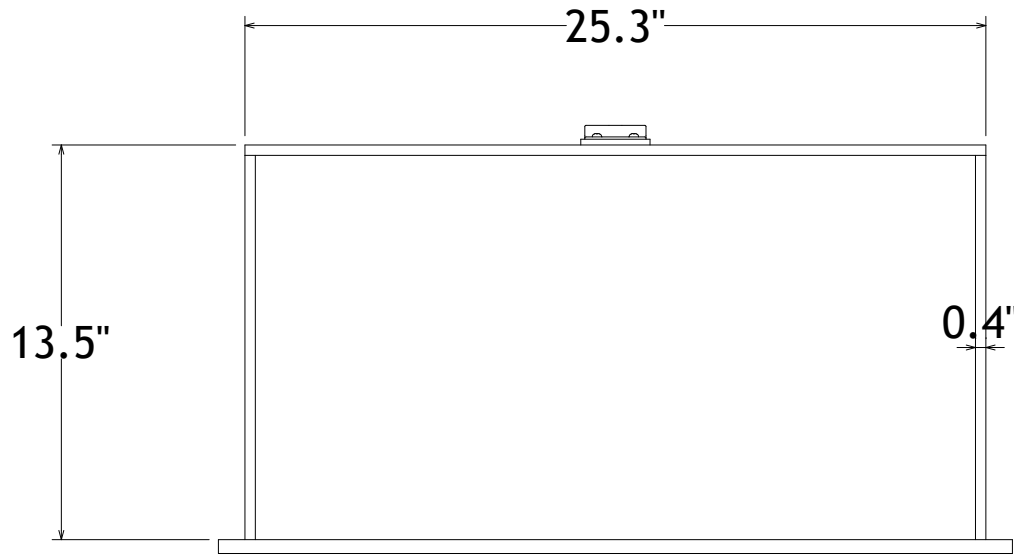


AMELIA-MRR



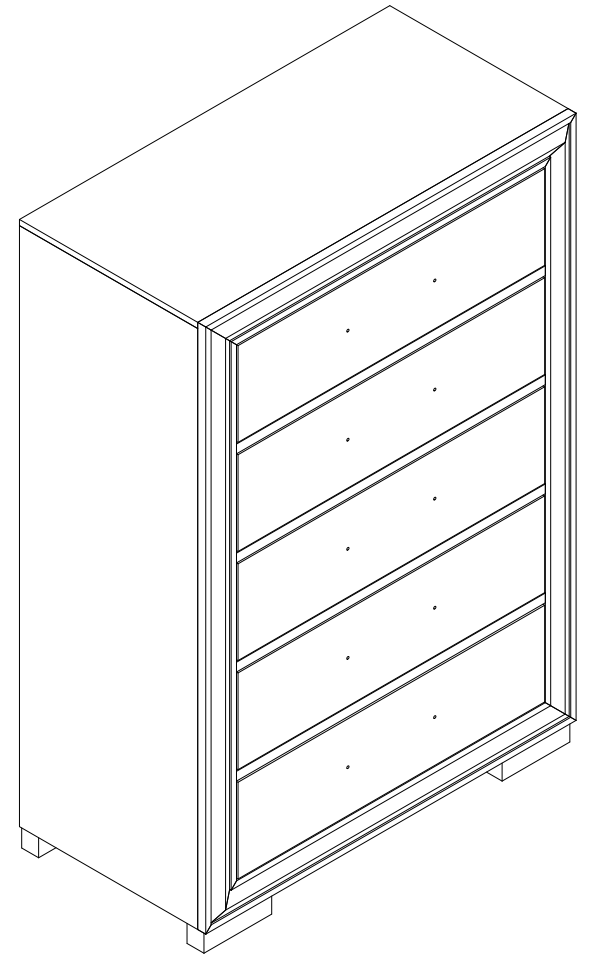
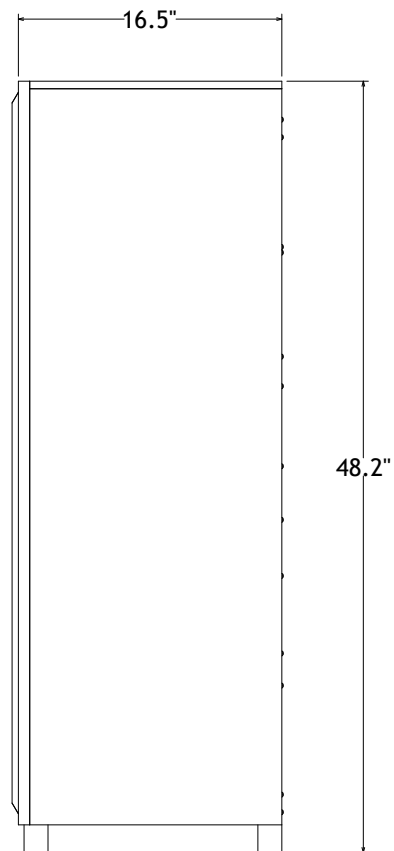
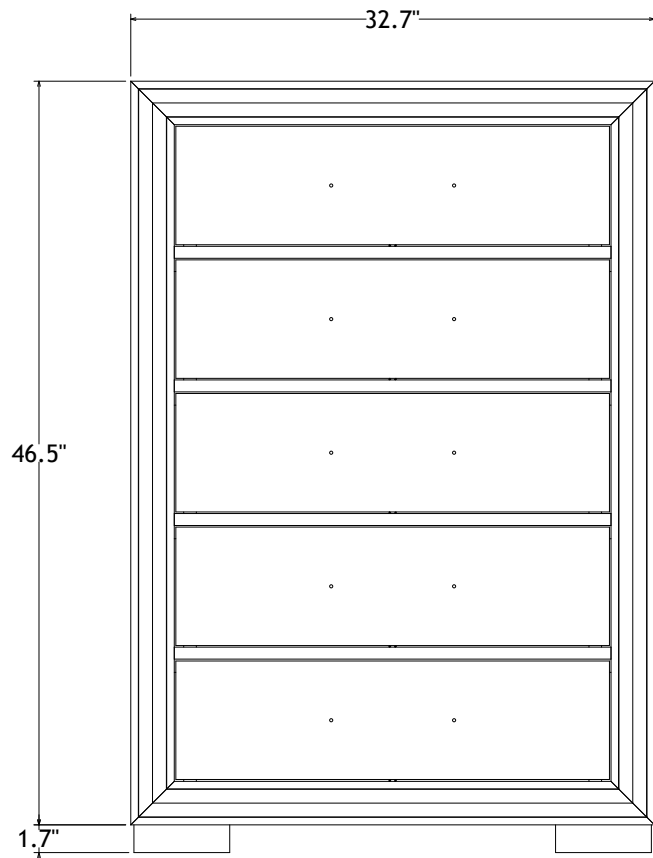
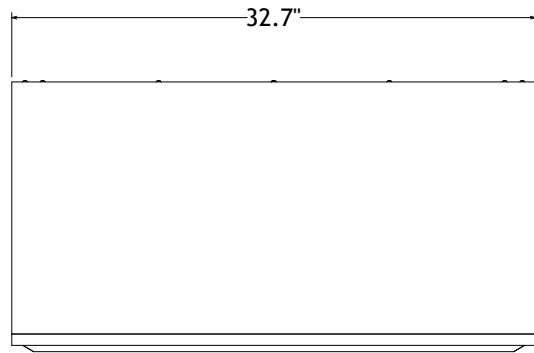


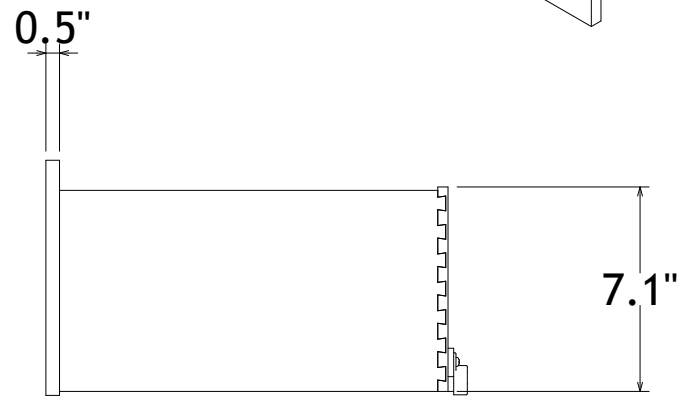
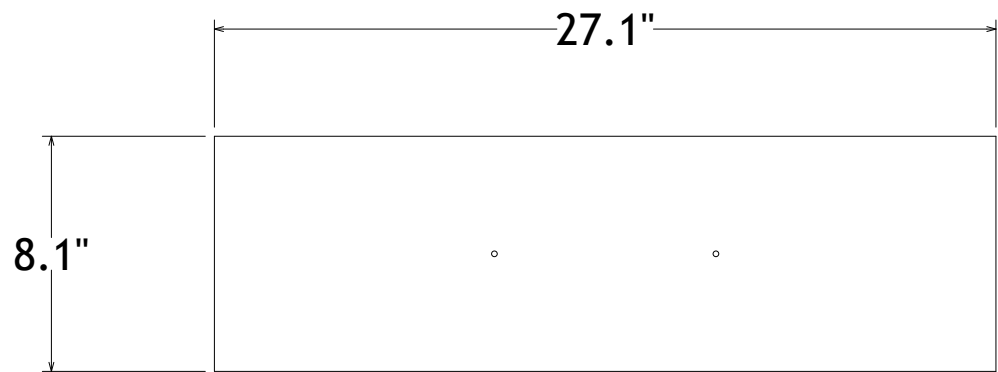
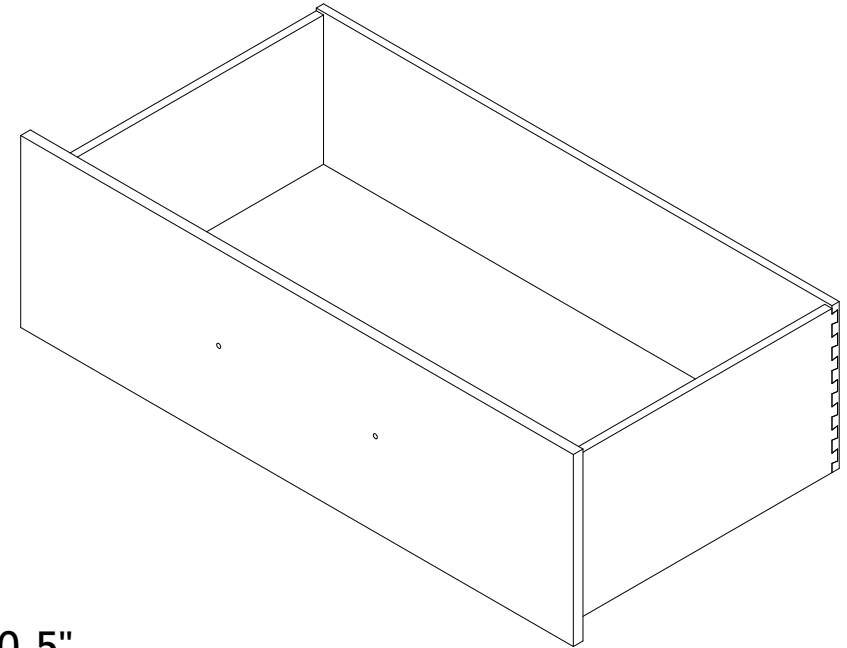
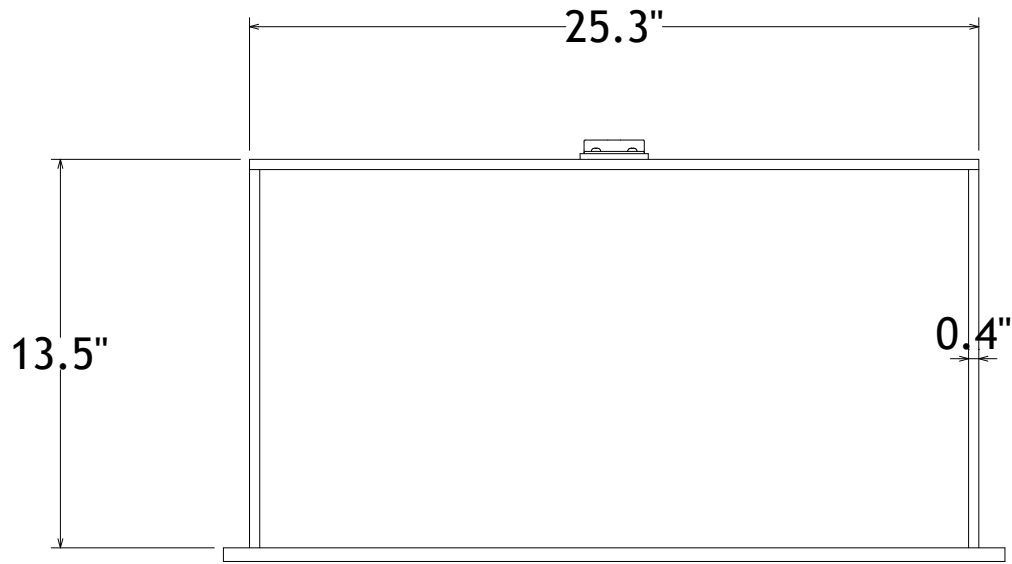
AMELIA-Drawer NS



AMELIA-Drawer CH

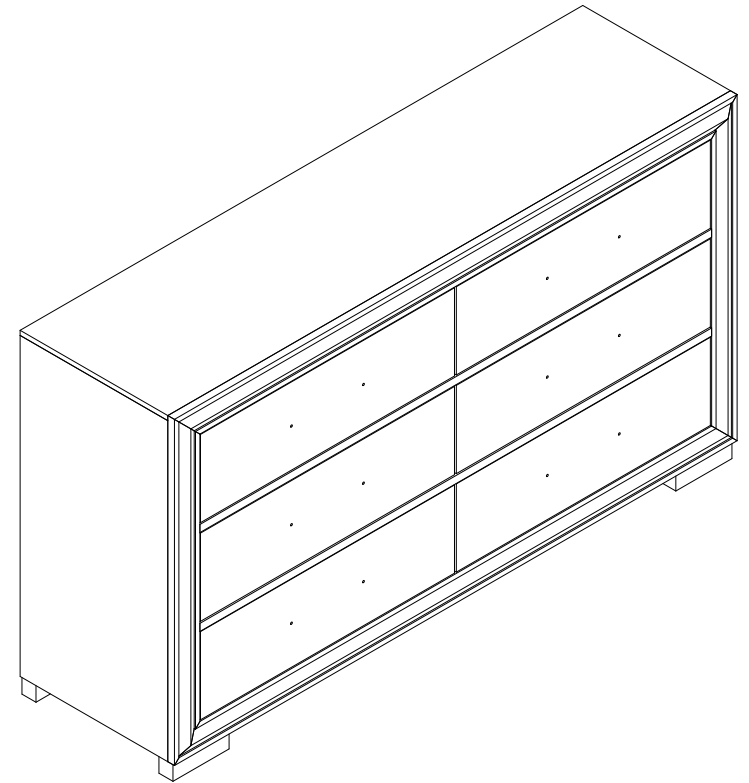
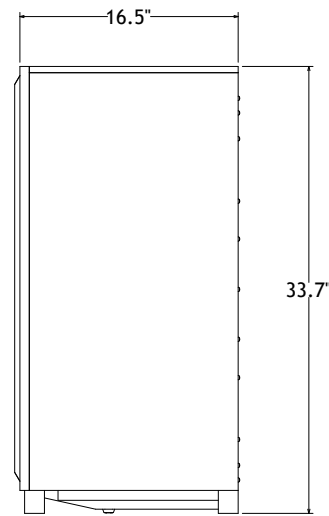
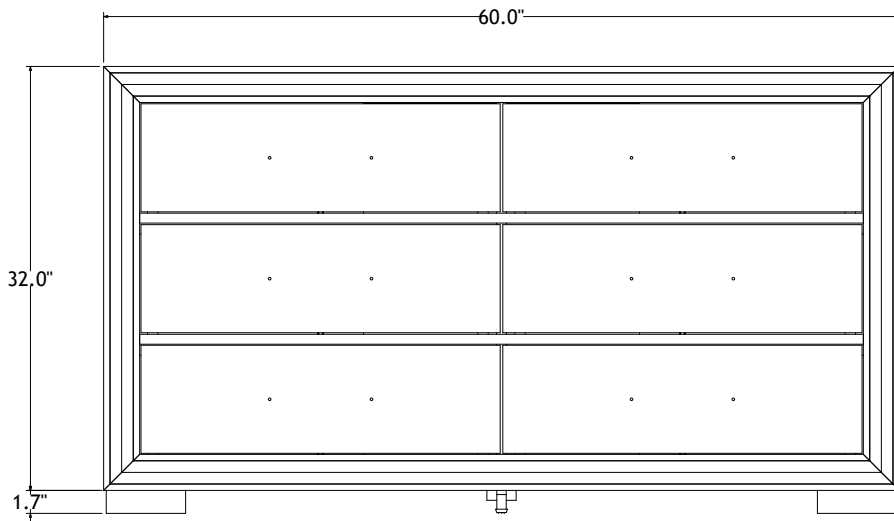
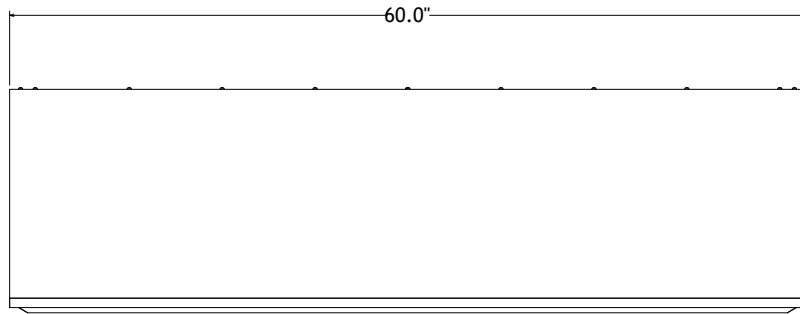
AMELIA-CH





AMELIA-Drawer DRR

AMELIA-DRR



AMELIA-NS

