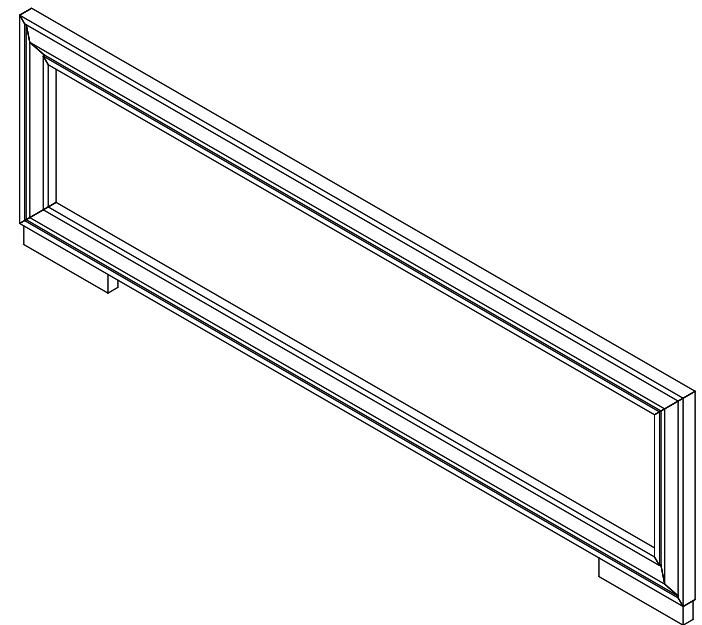
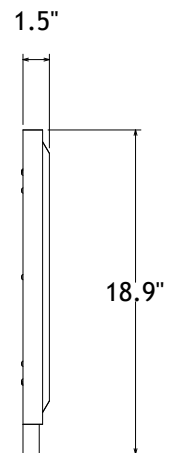
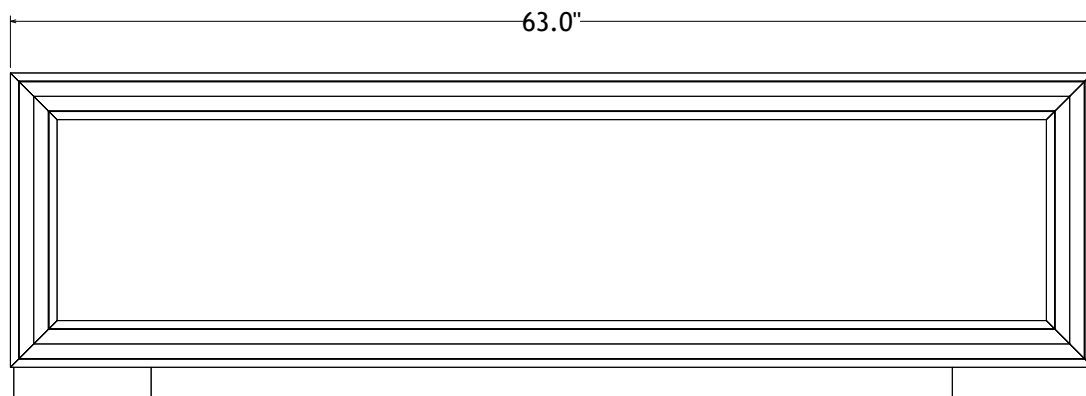
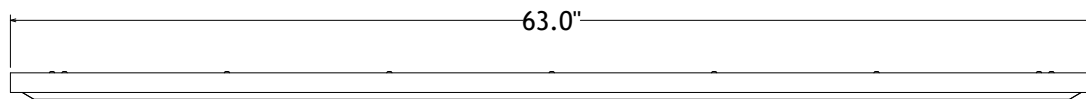
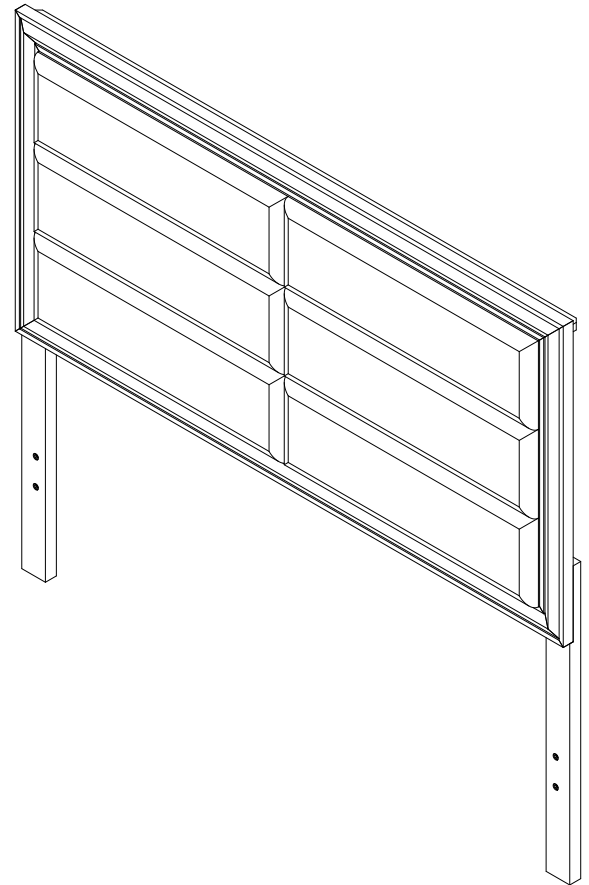
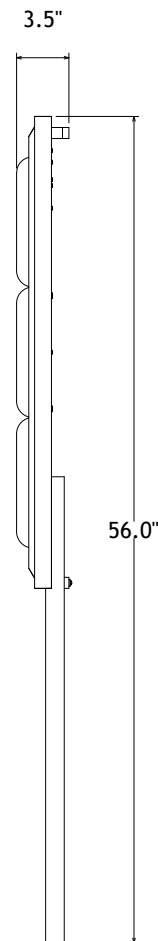
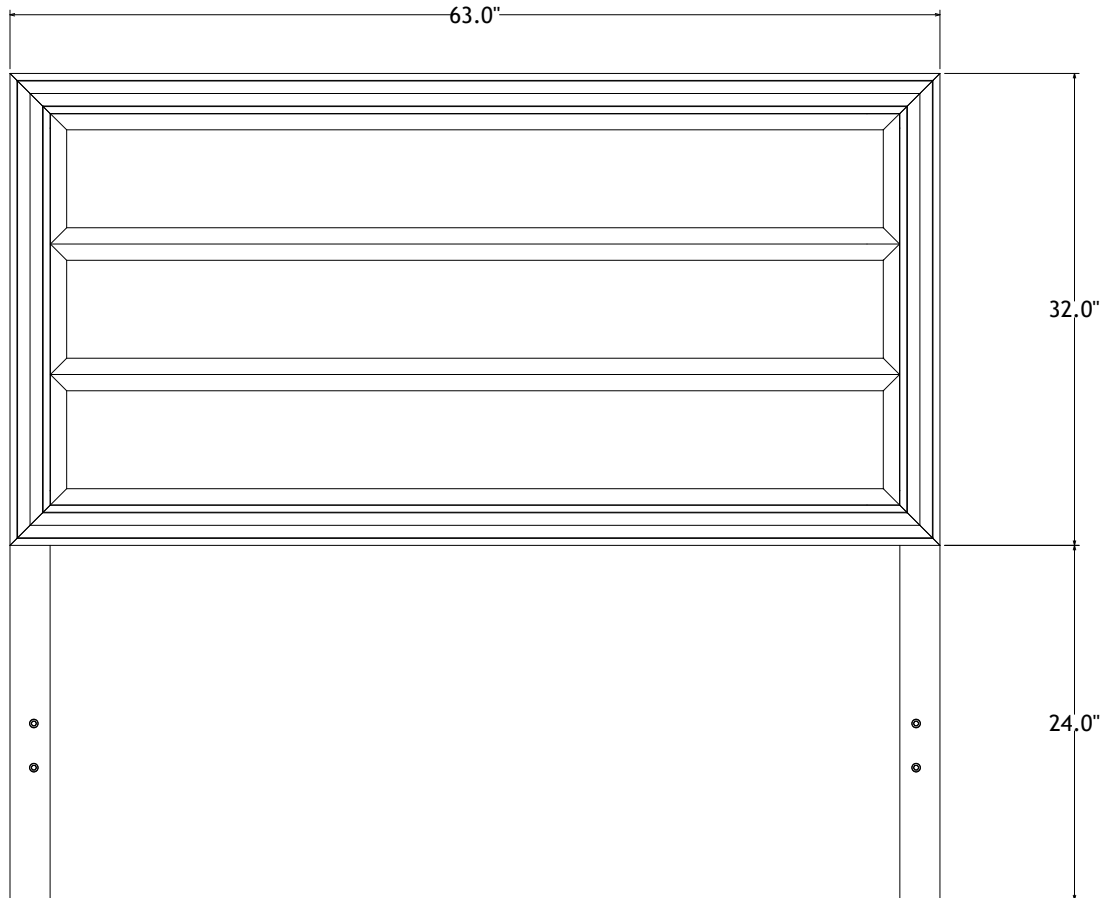
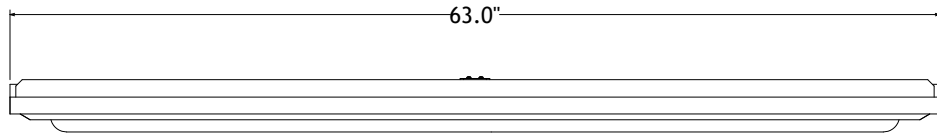


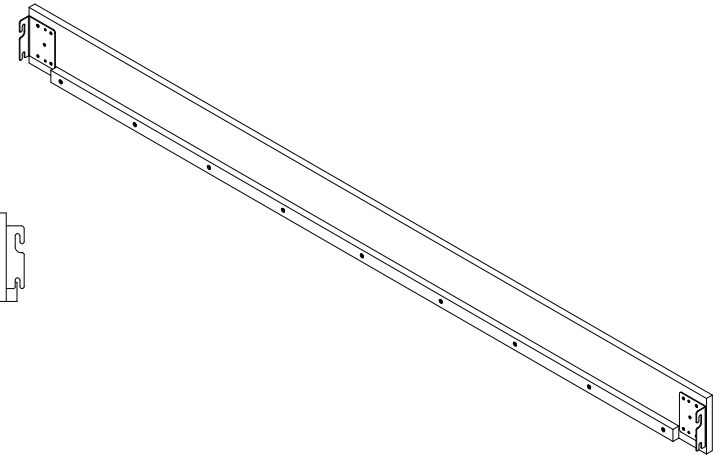
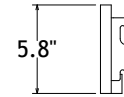
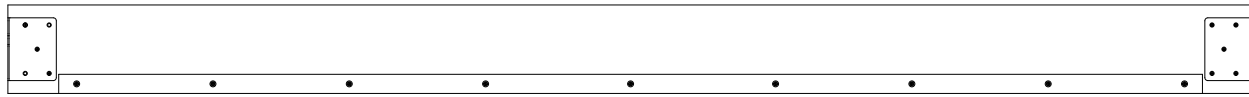
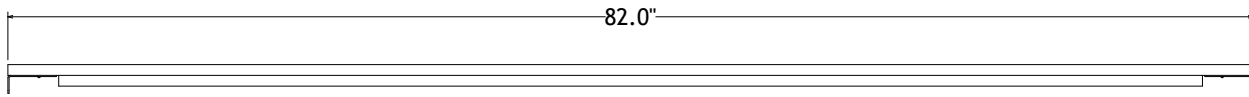
AMELIA-QFB



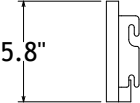
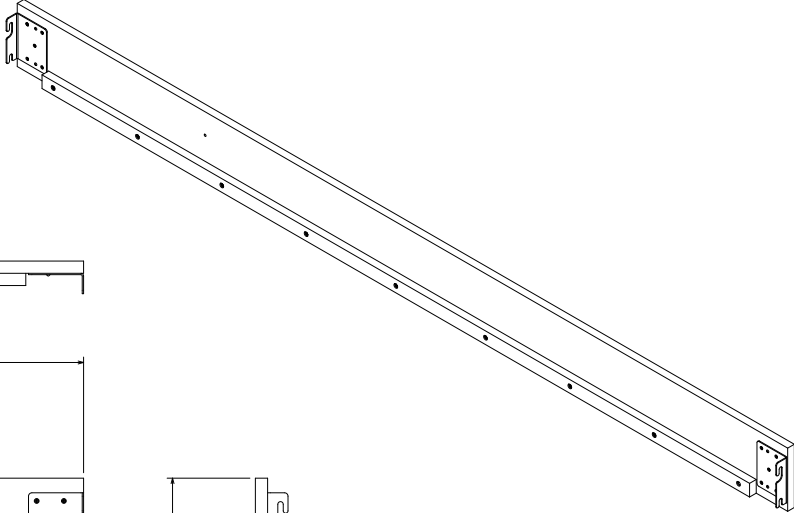
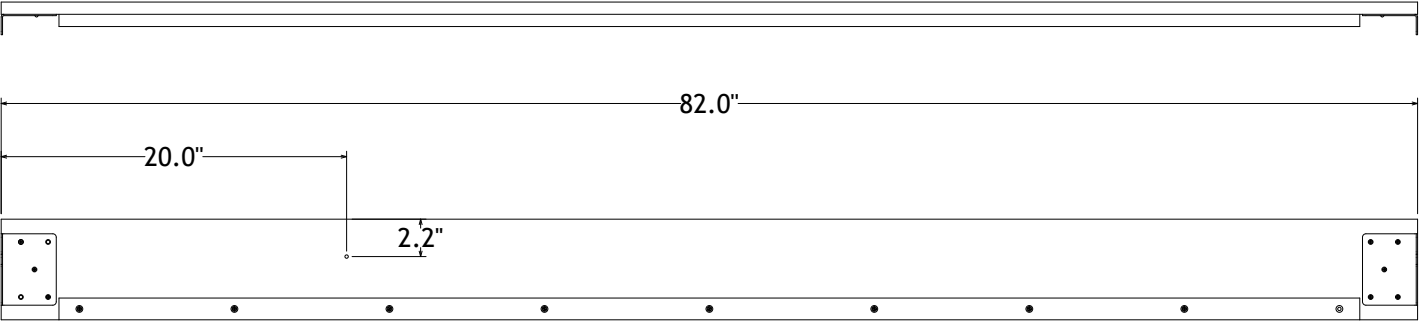
AMELIA-QHB-UPH

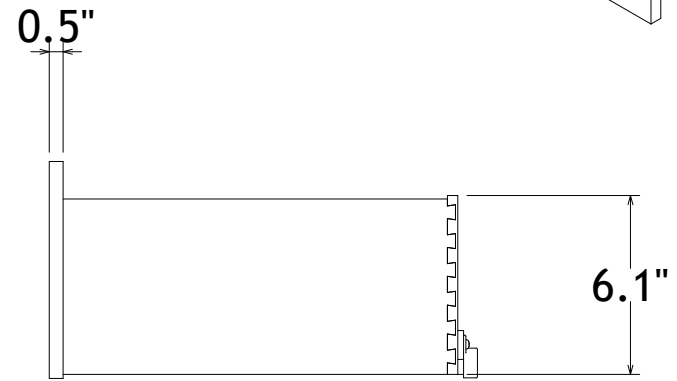
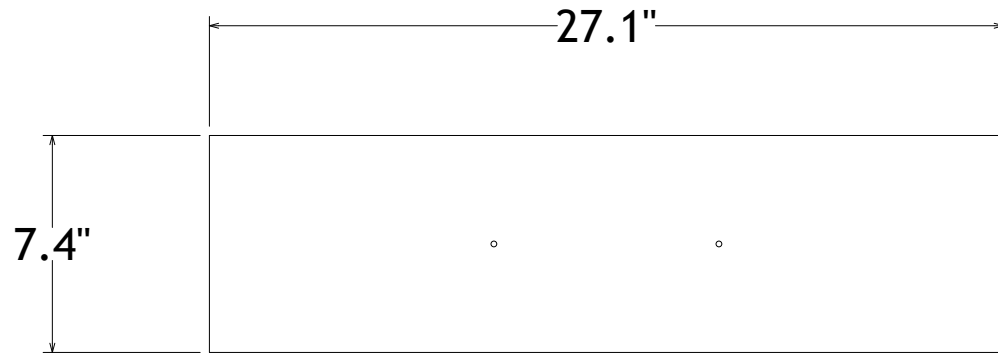
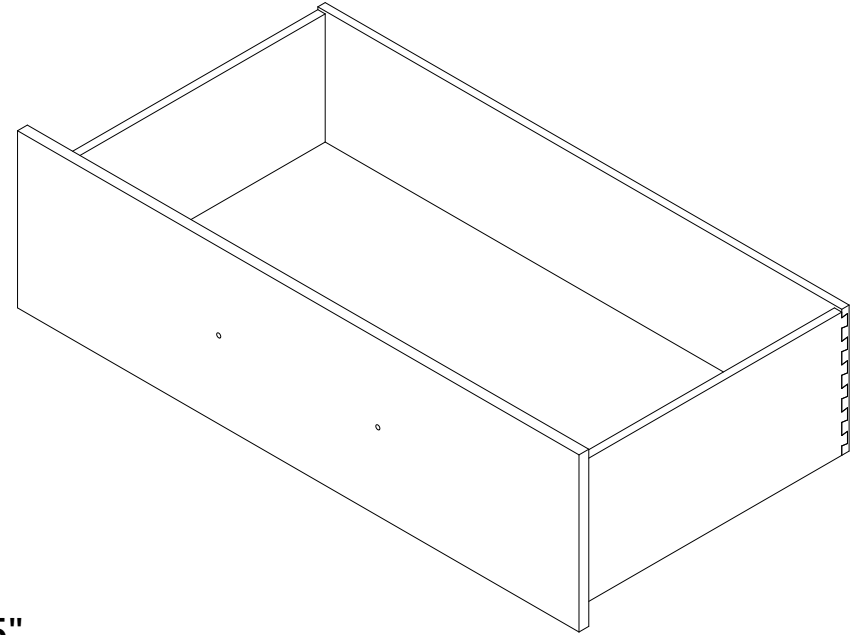
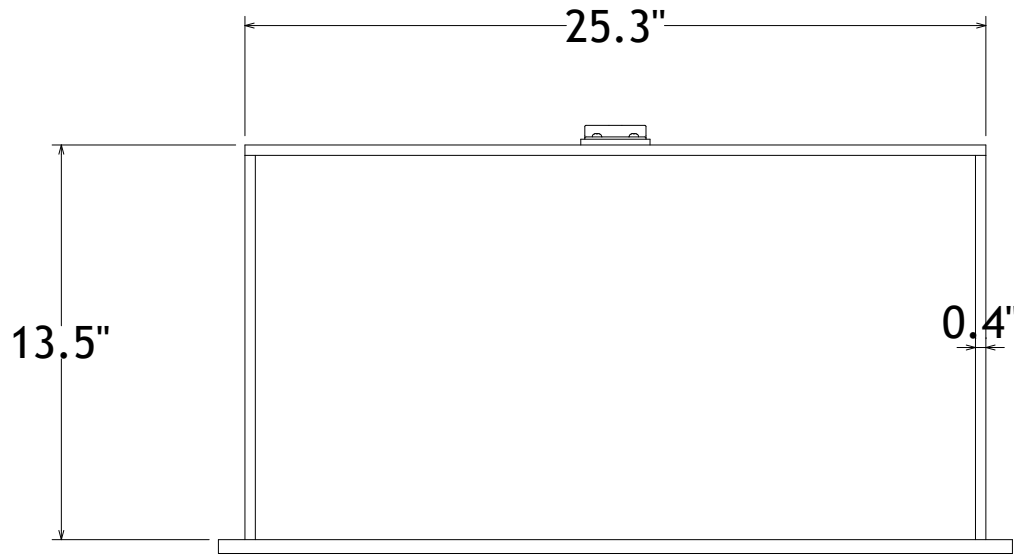


AMELIA-QSR-L



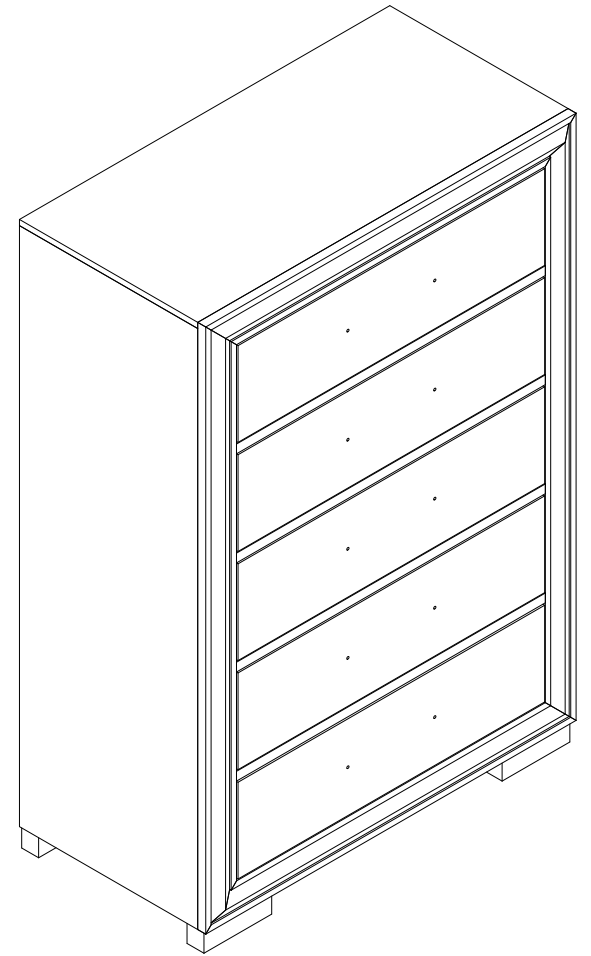
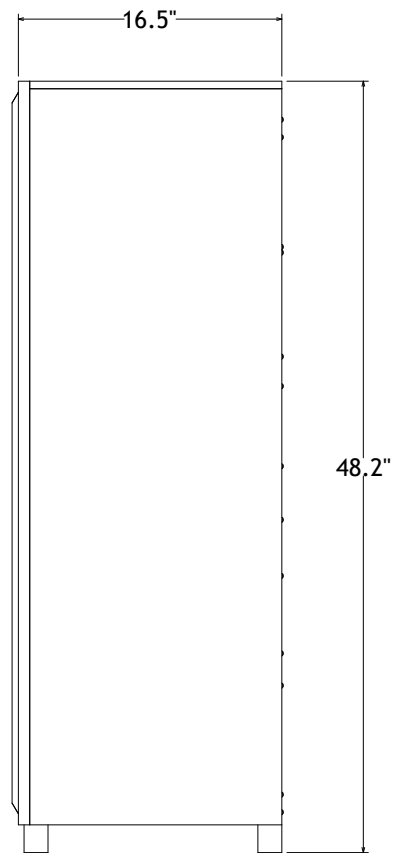
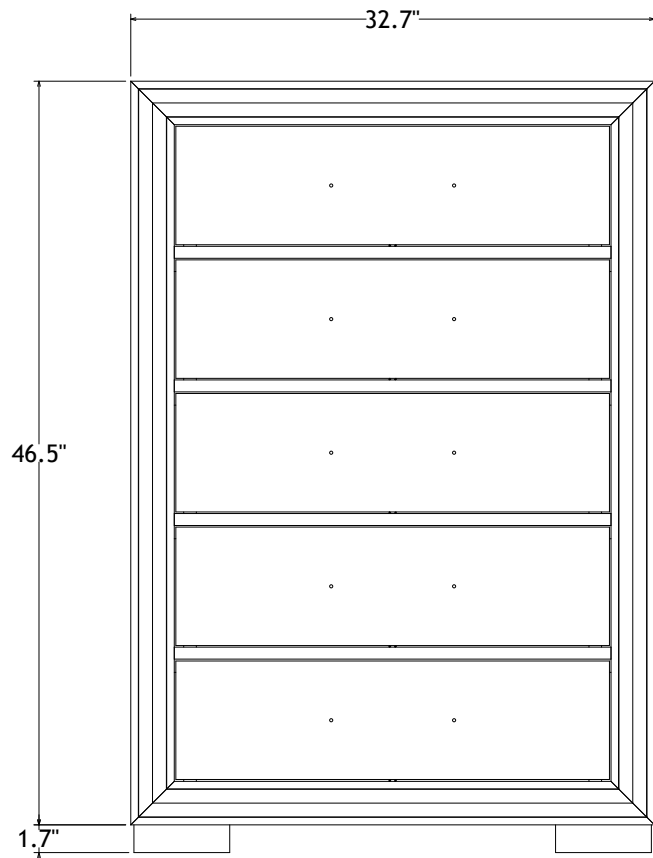
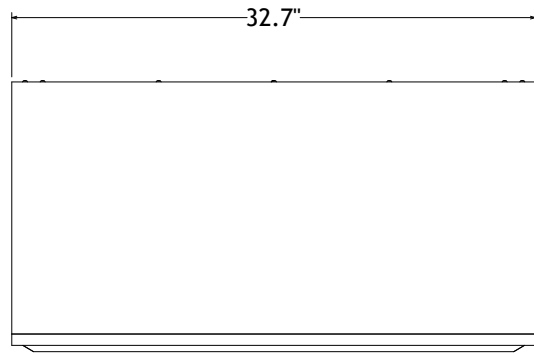
AMELIA-QSR-R

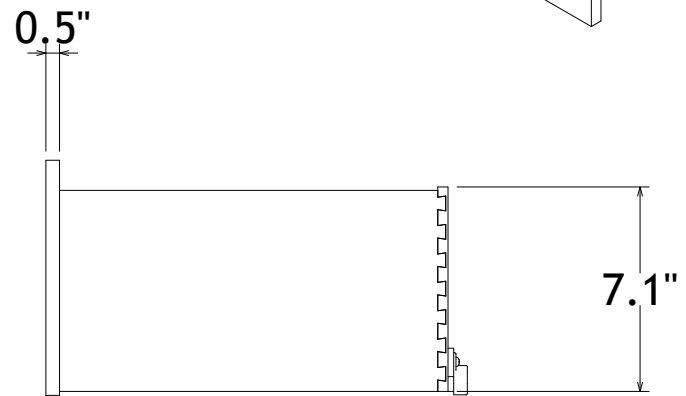
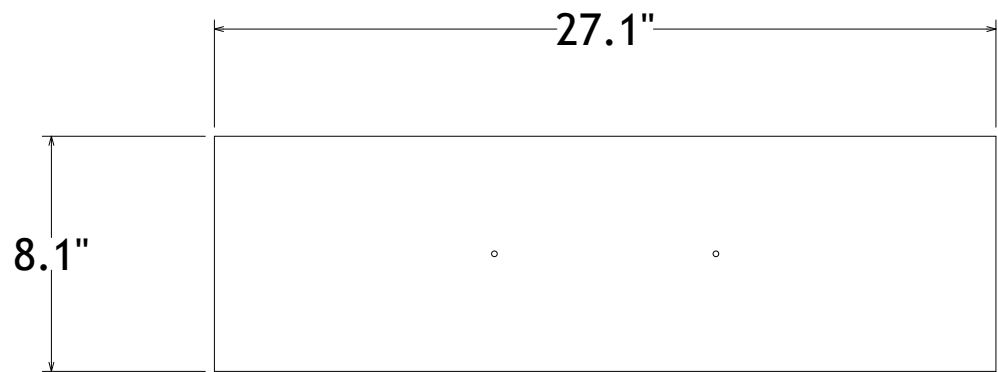
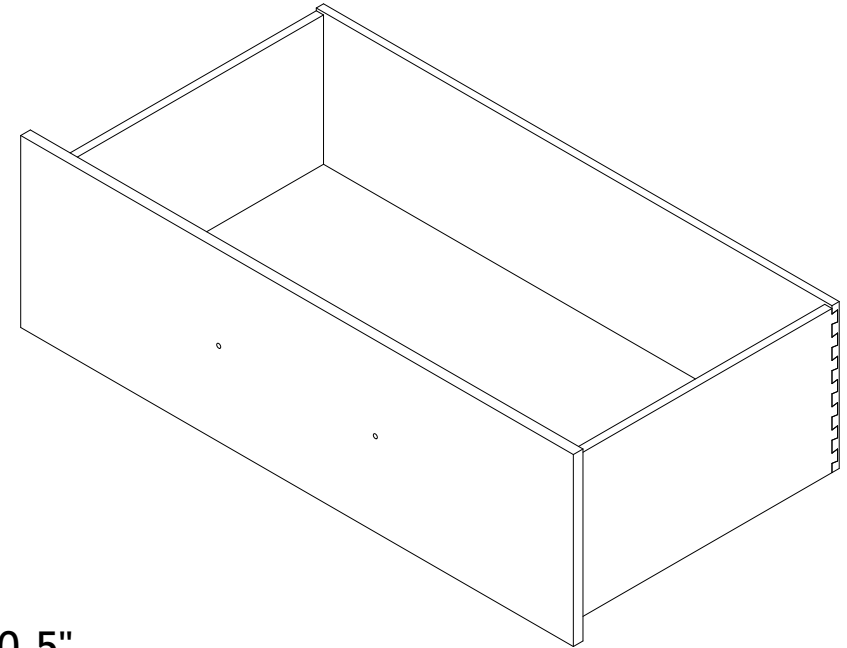
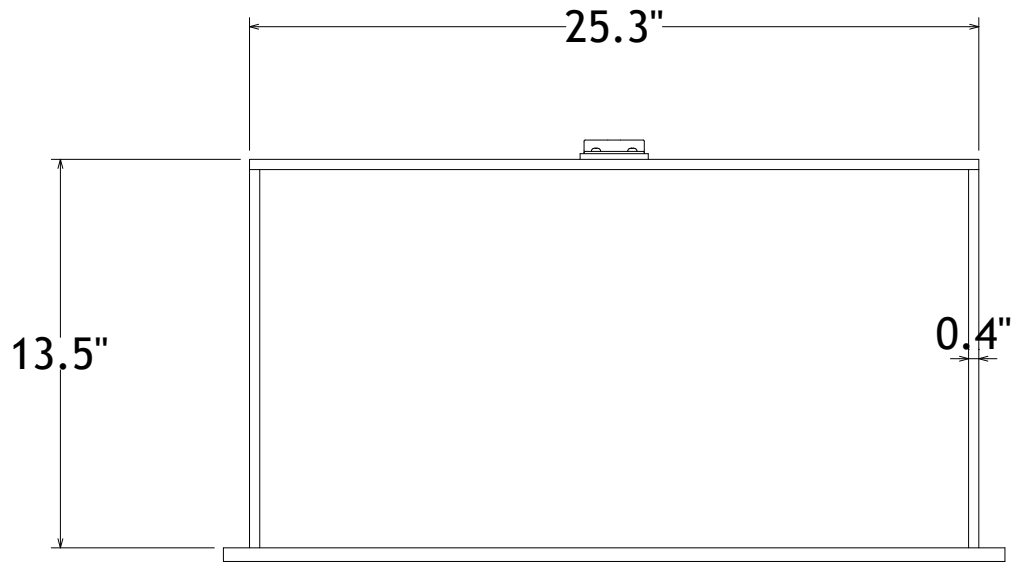




AMELIA-Drawer CH

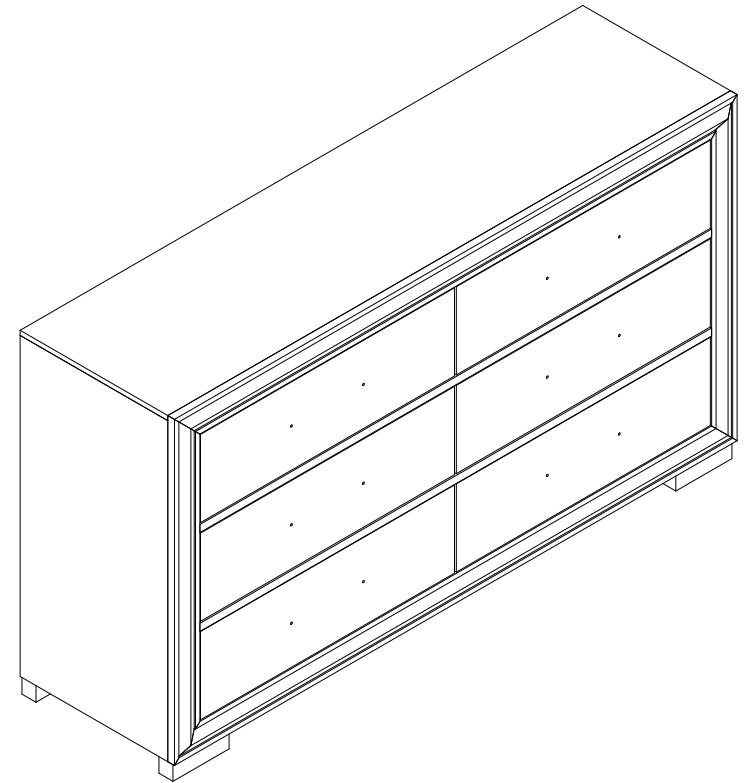
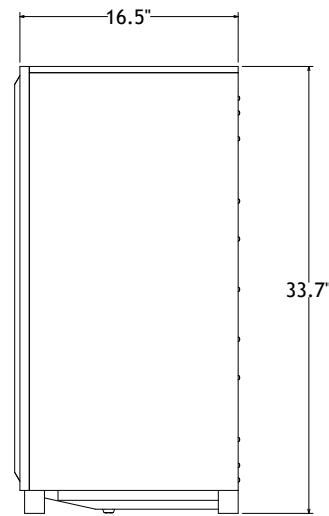
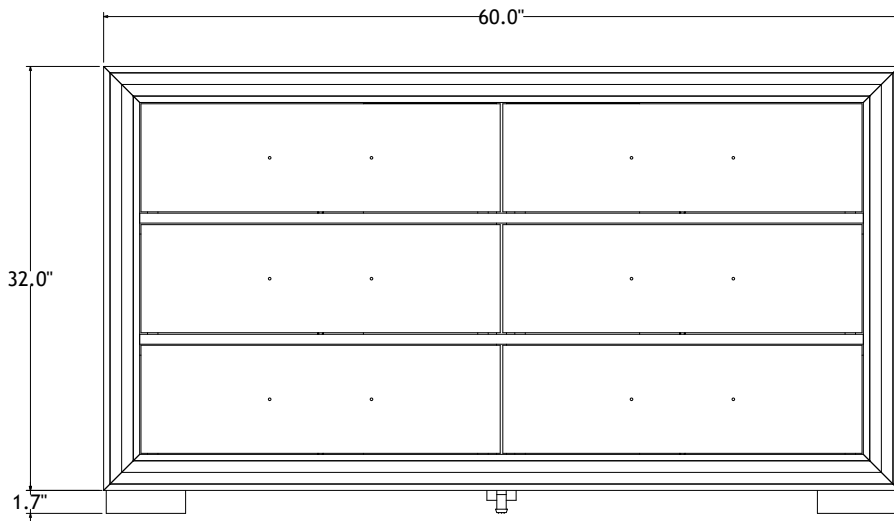
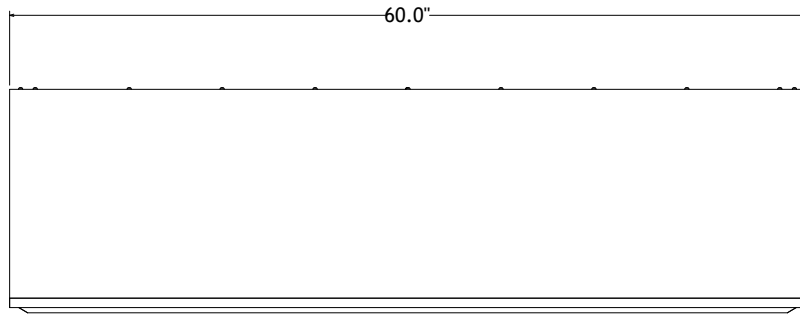
AMELIA-CH



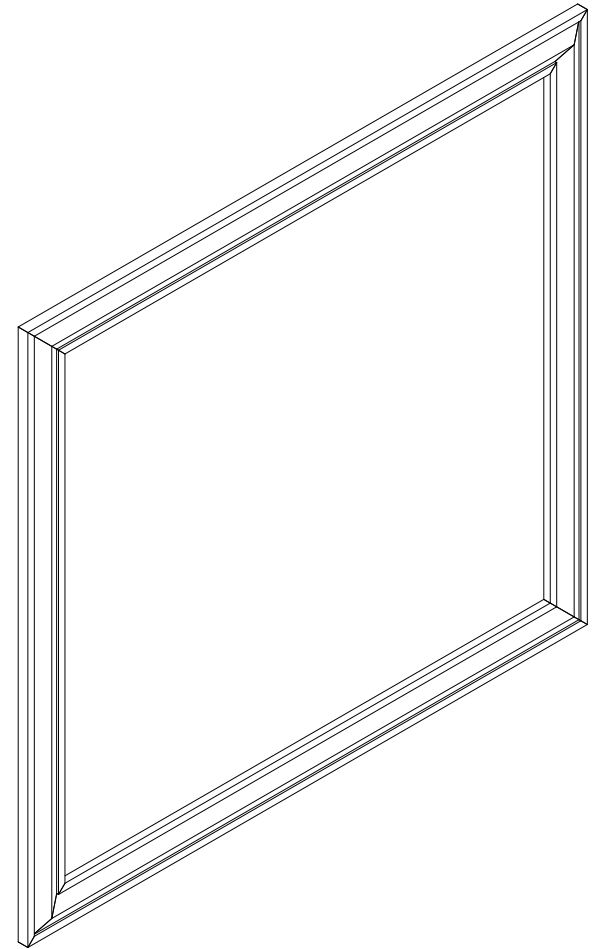
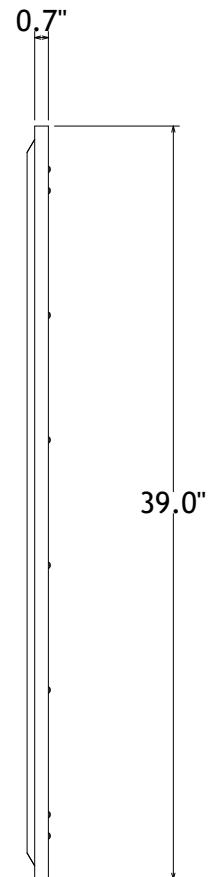
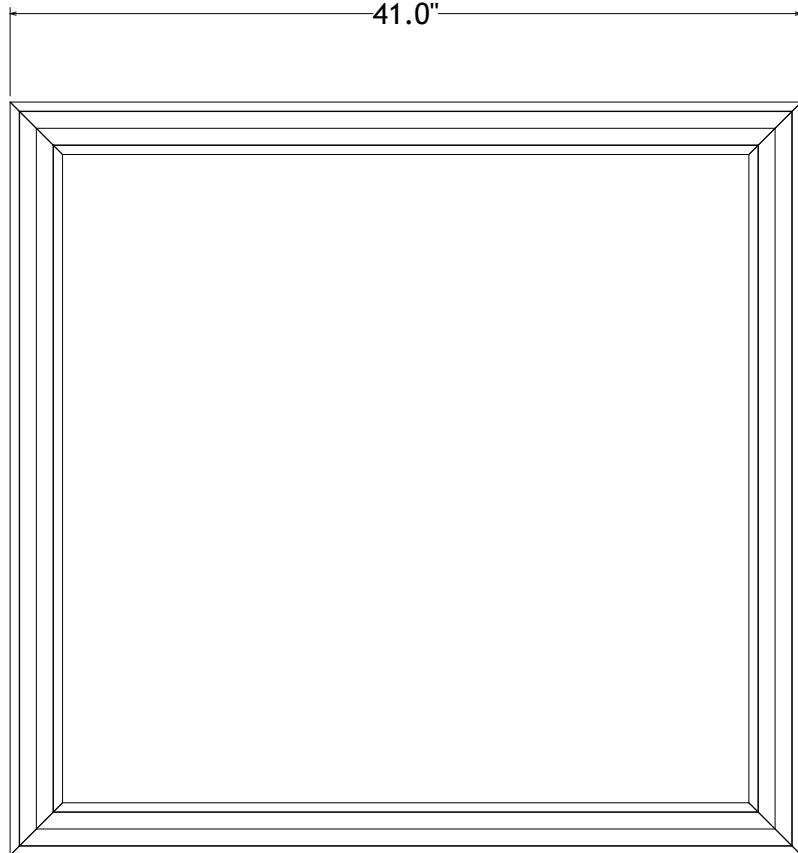
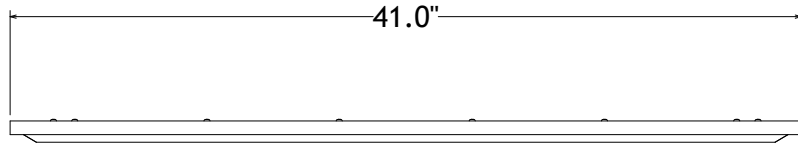


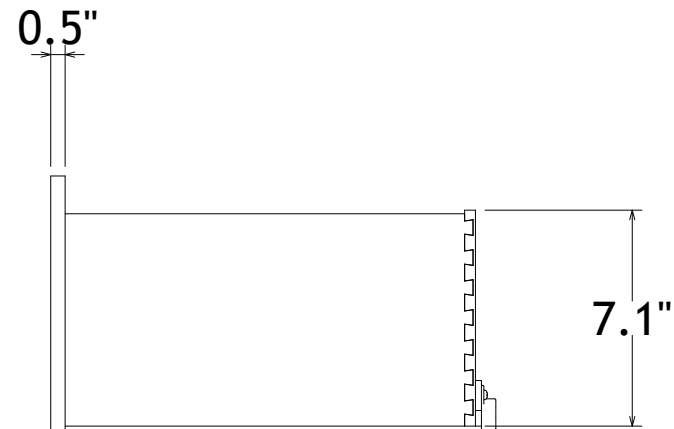
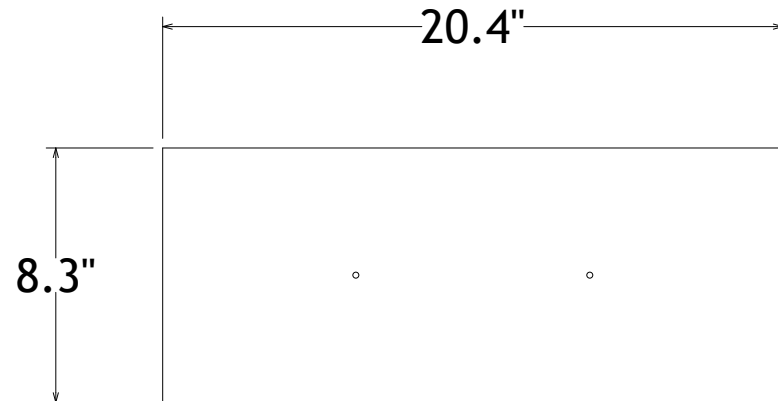
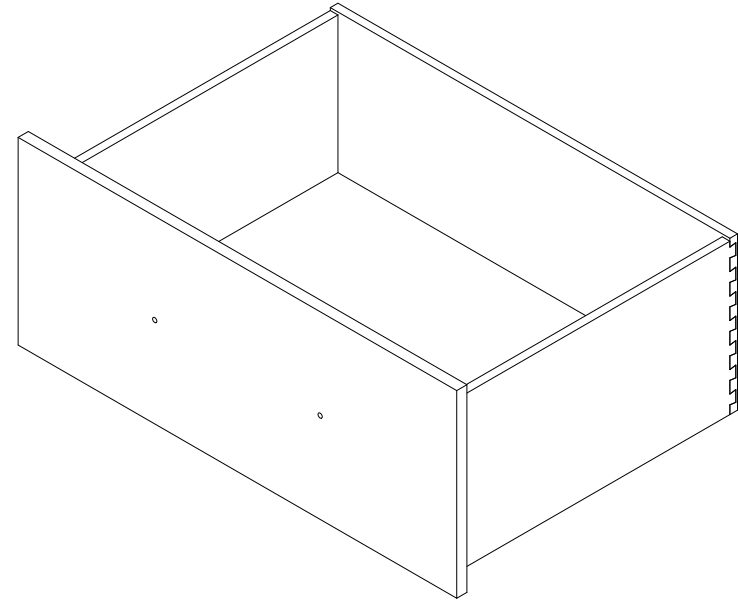
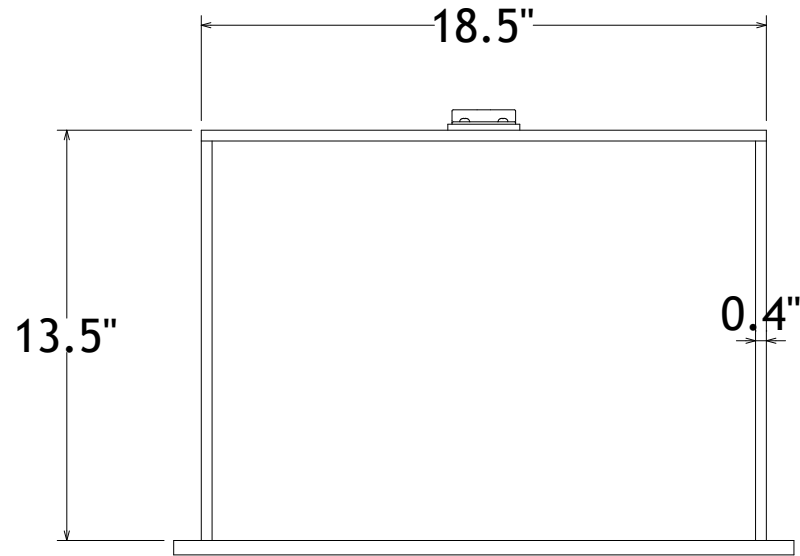
AMELIA-Drawer DRR

AMELIA-DRR



AMELIA-MRR





AMELIA-Drawer NS

AMELIA-NS

