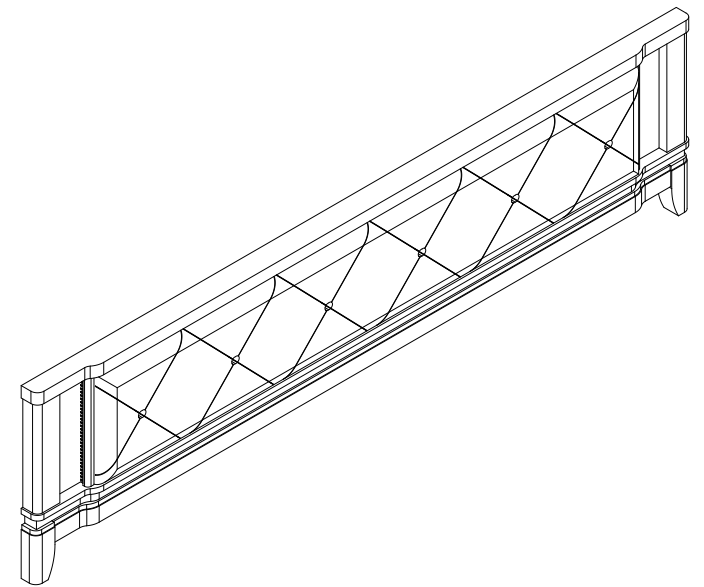
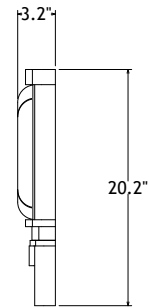
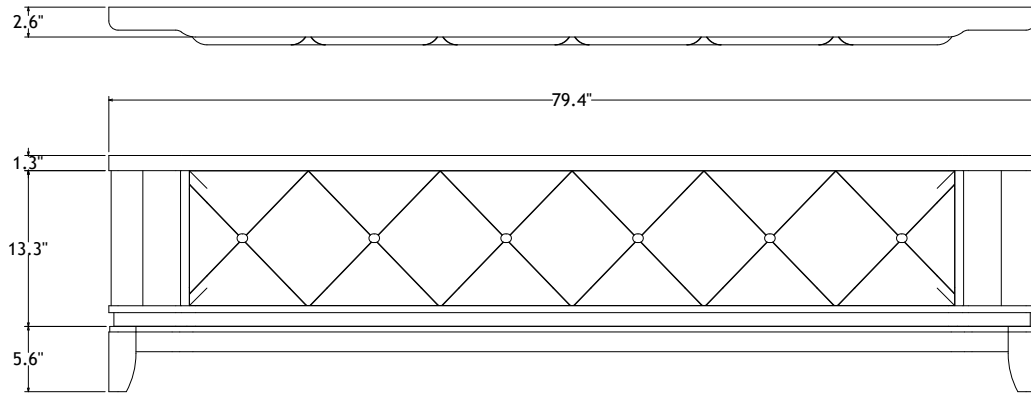
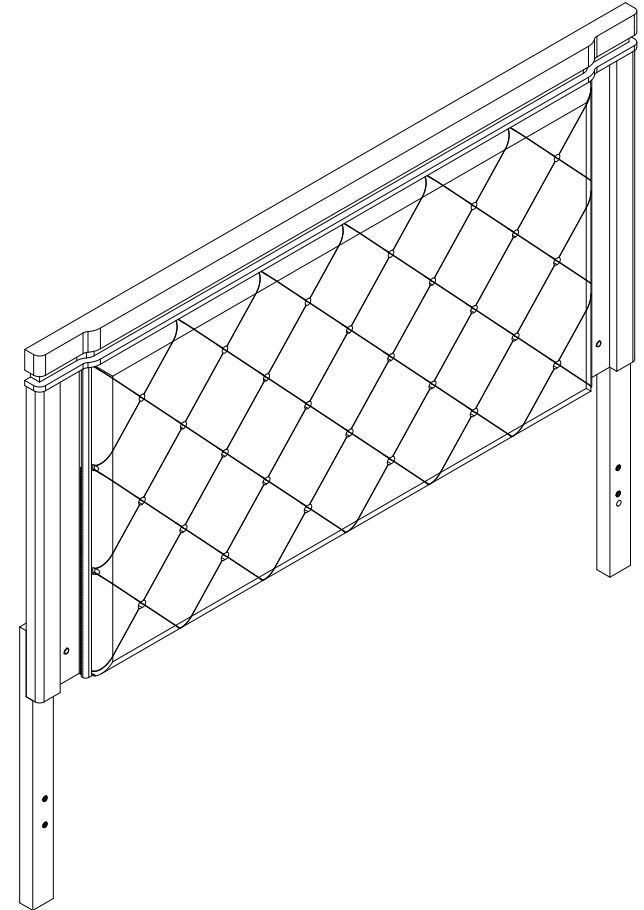
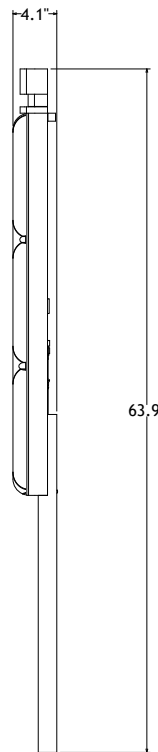
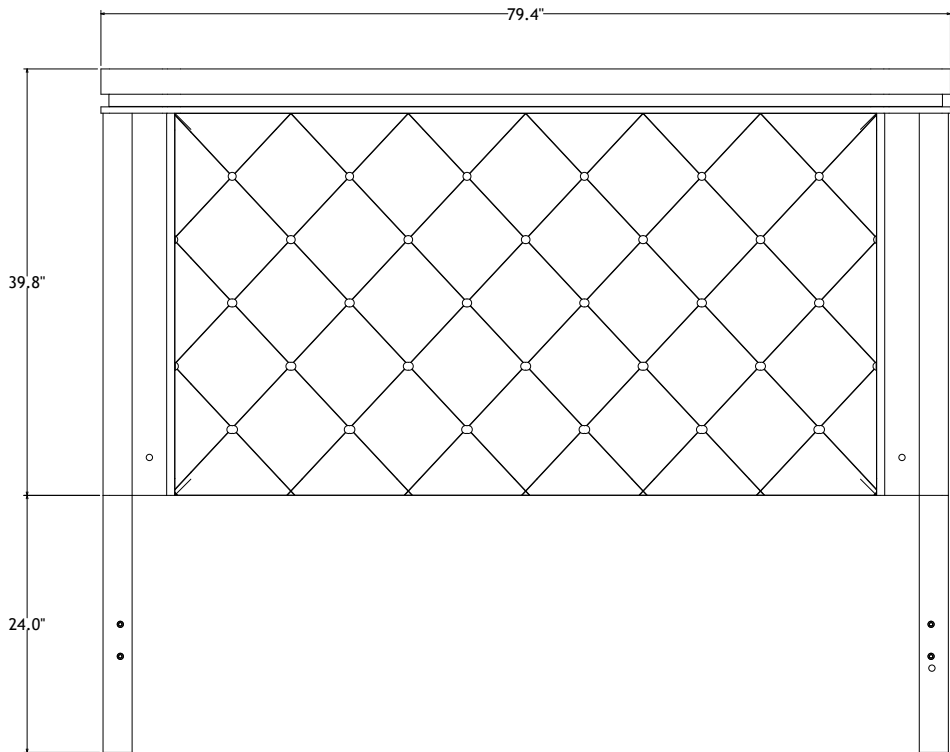
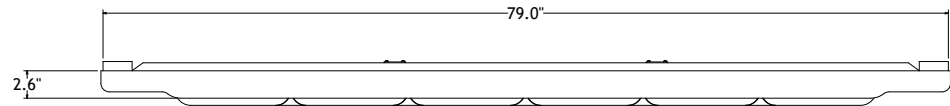


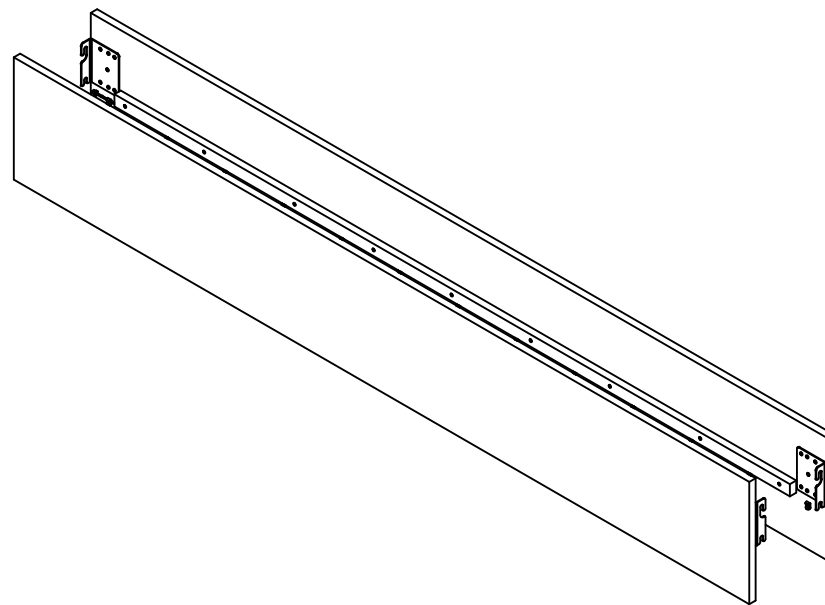
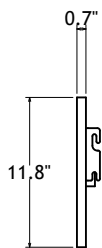
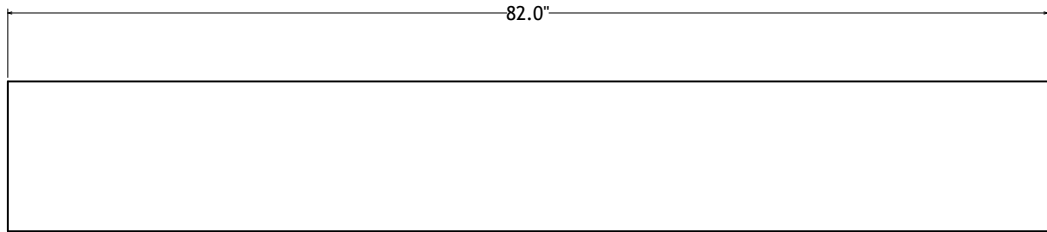
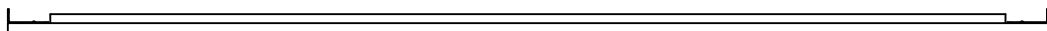
ALINA-EFB-UPH

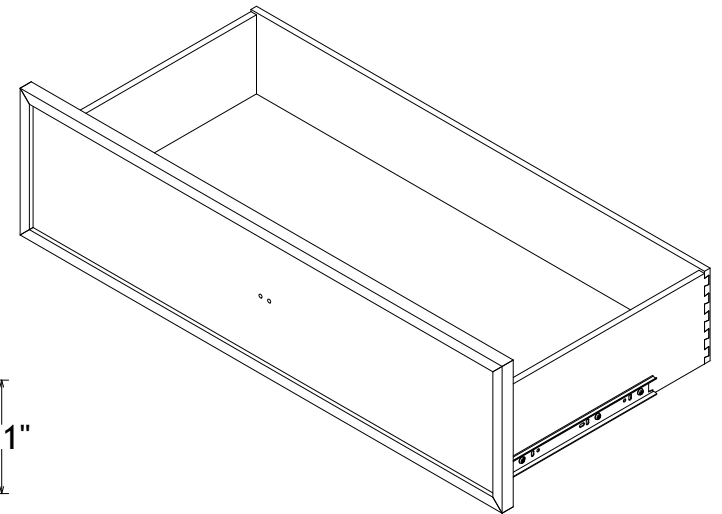
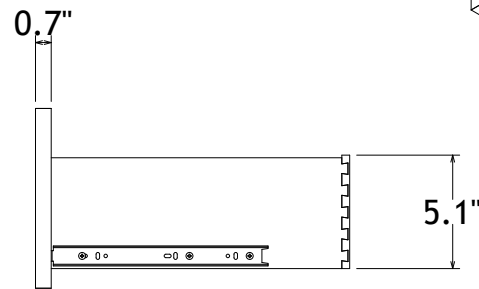
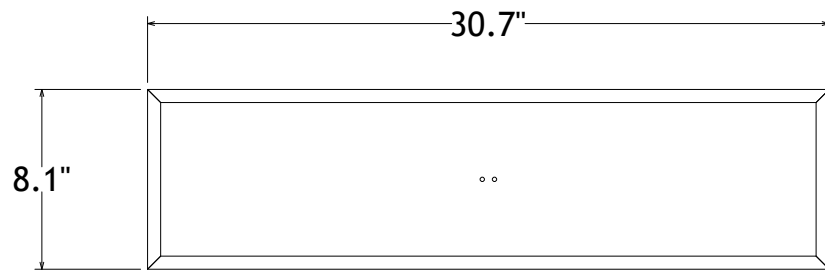
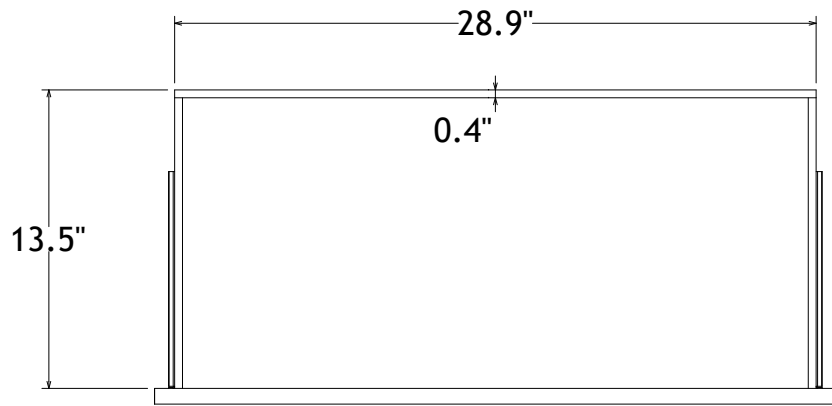


ALINA-EHB-UPH



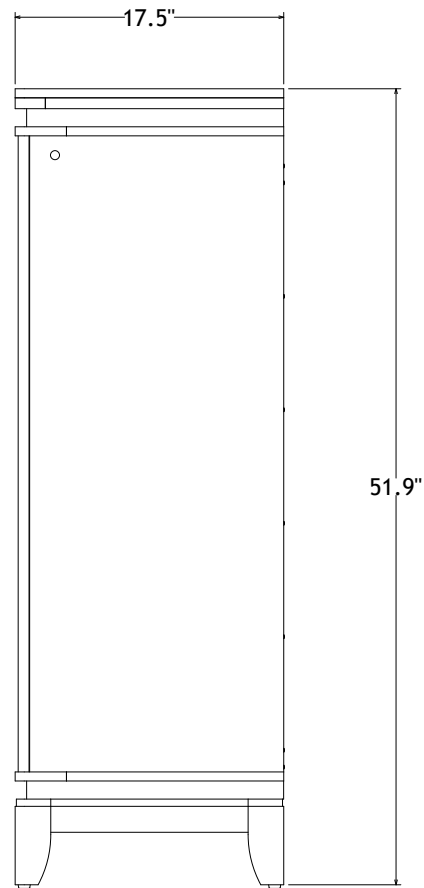
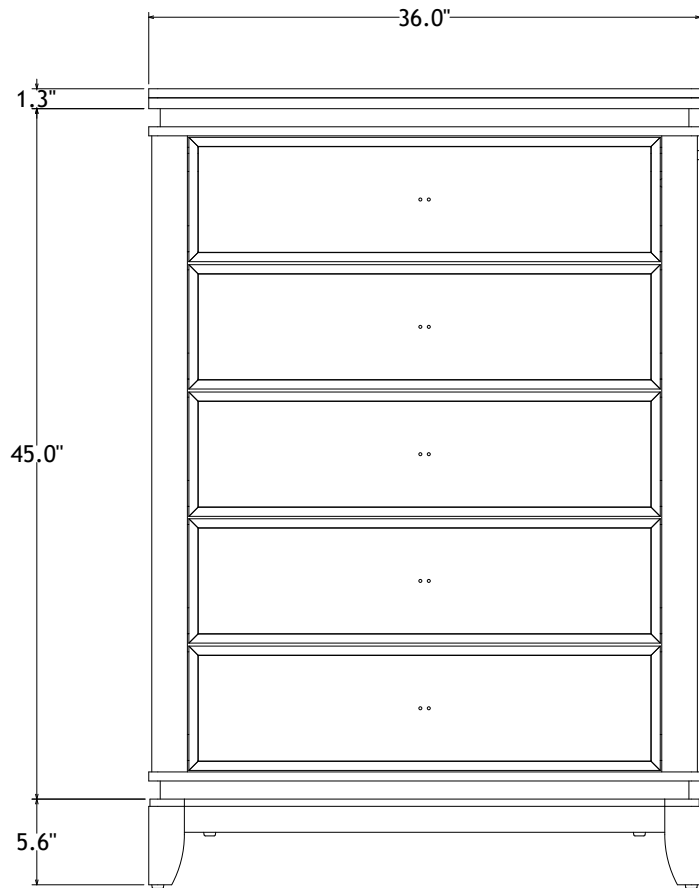
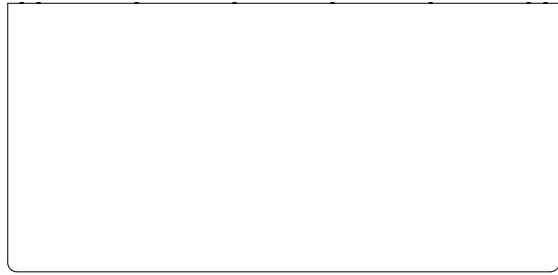
ALINA-ESR

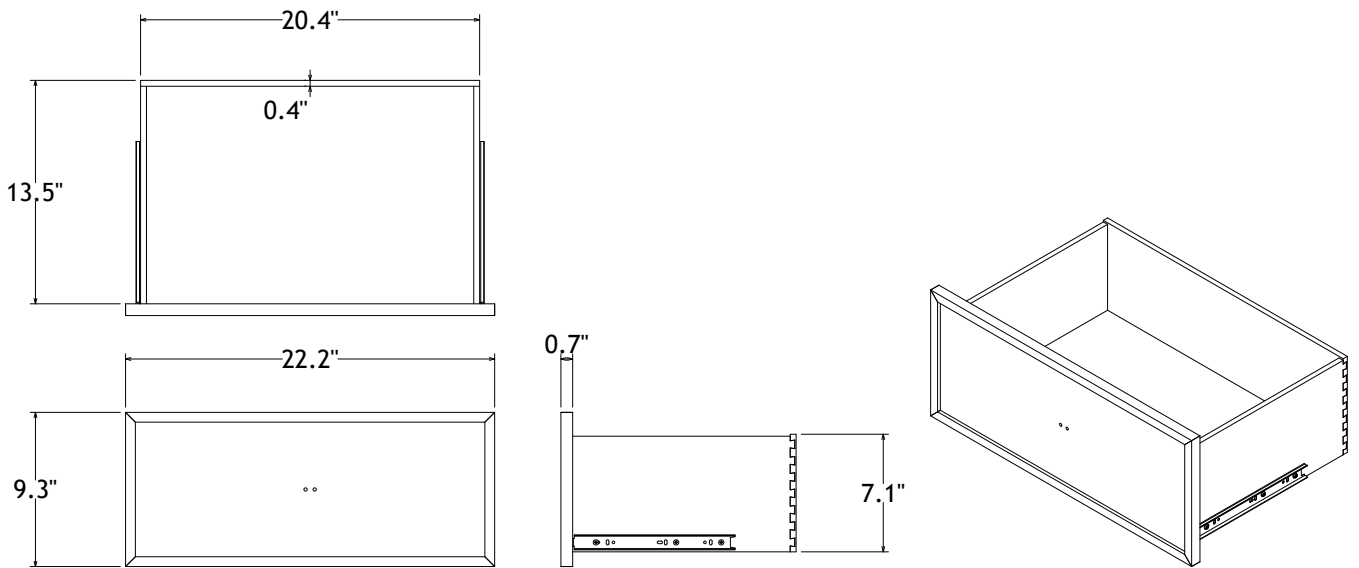




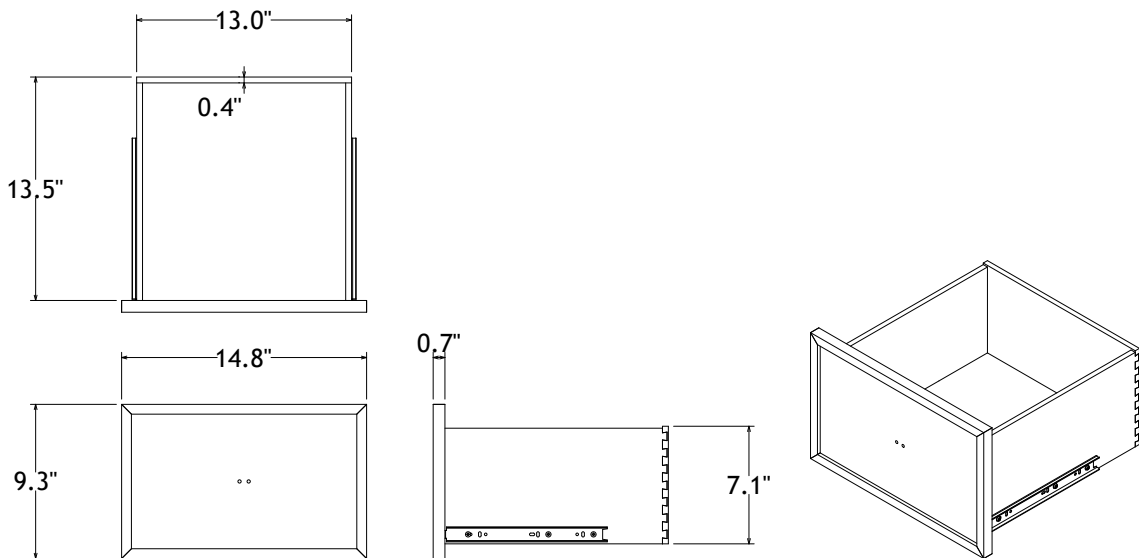
ALINA-Drawer CH

ALINA-CH



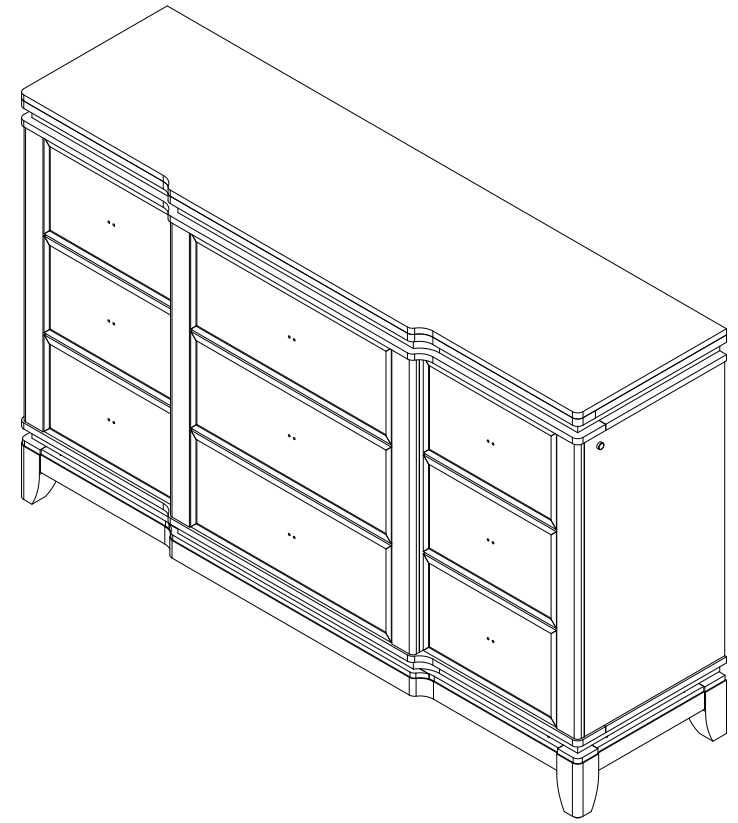
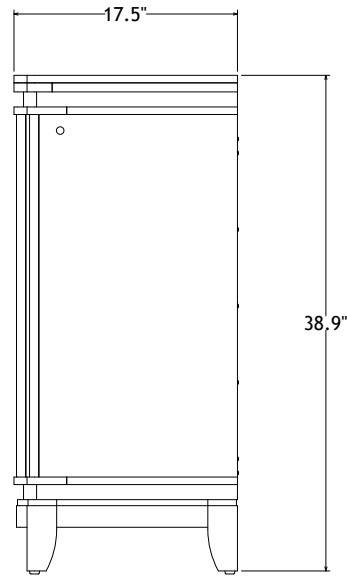
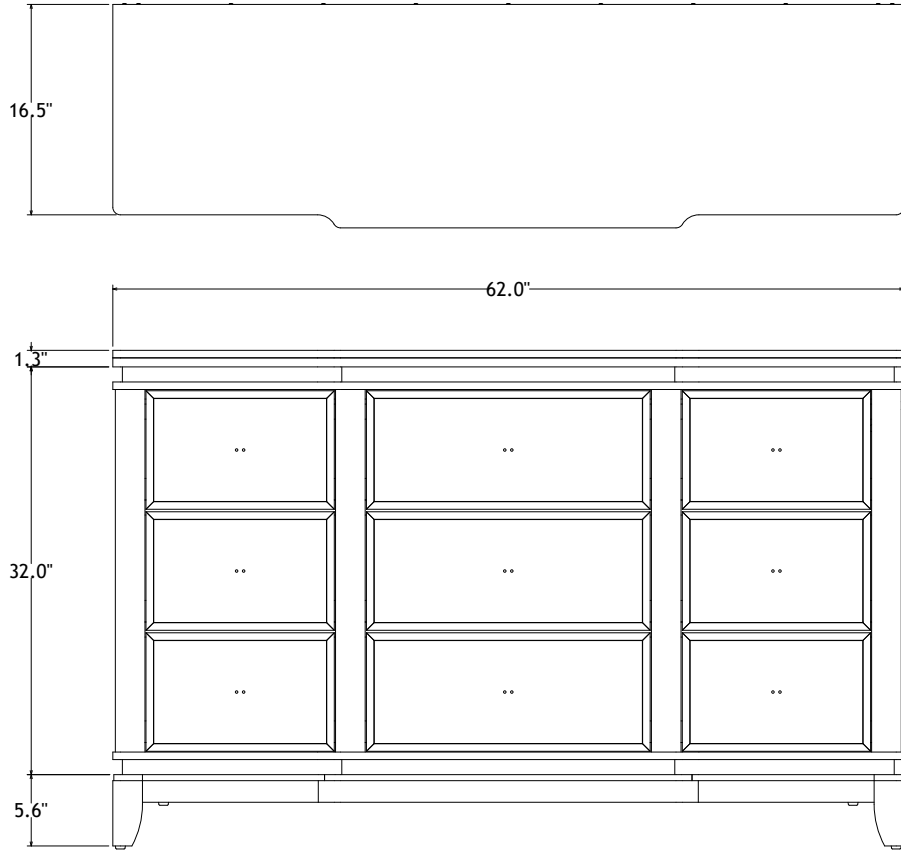


ALINA-Drawer : A - DRR

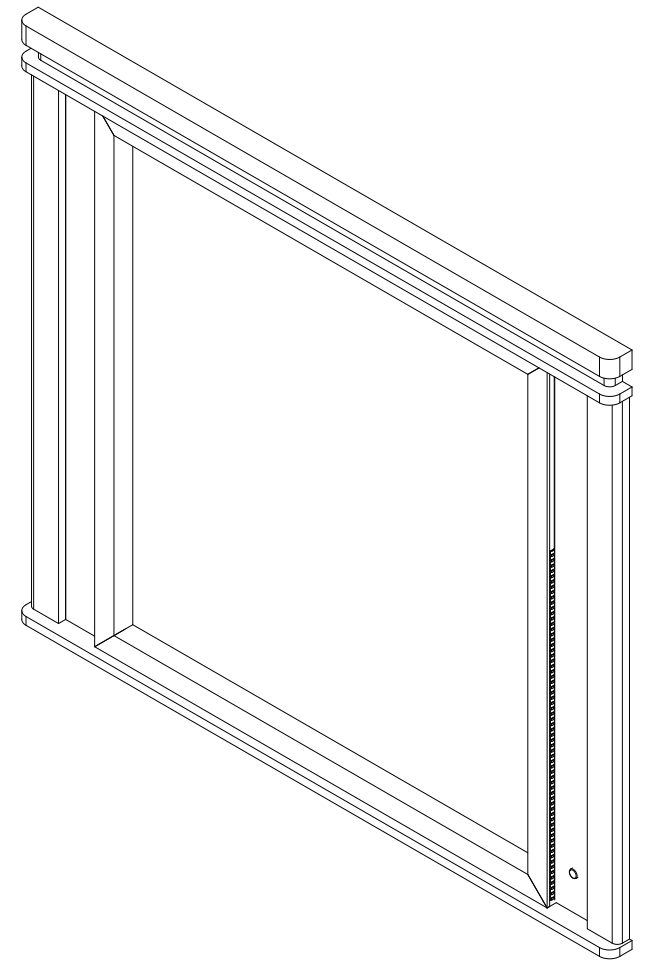
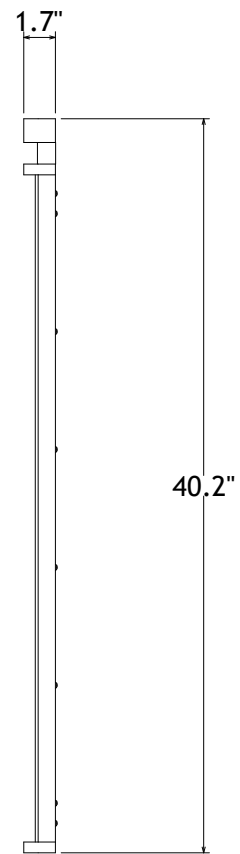
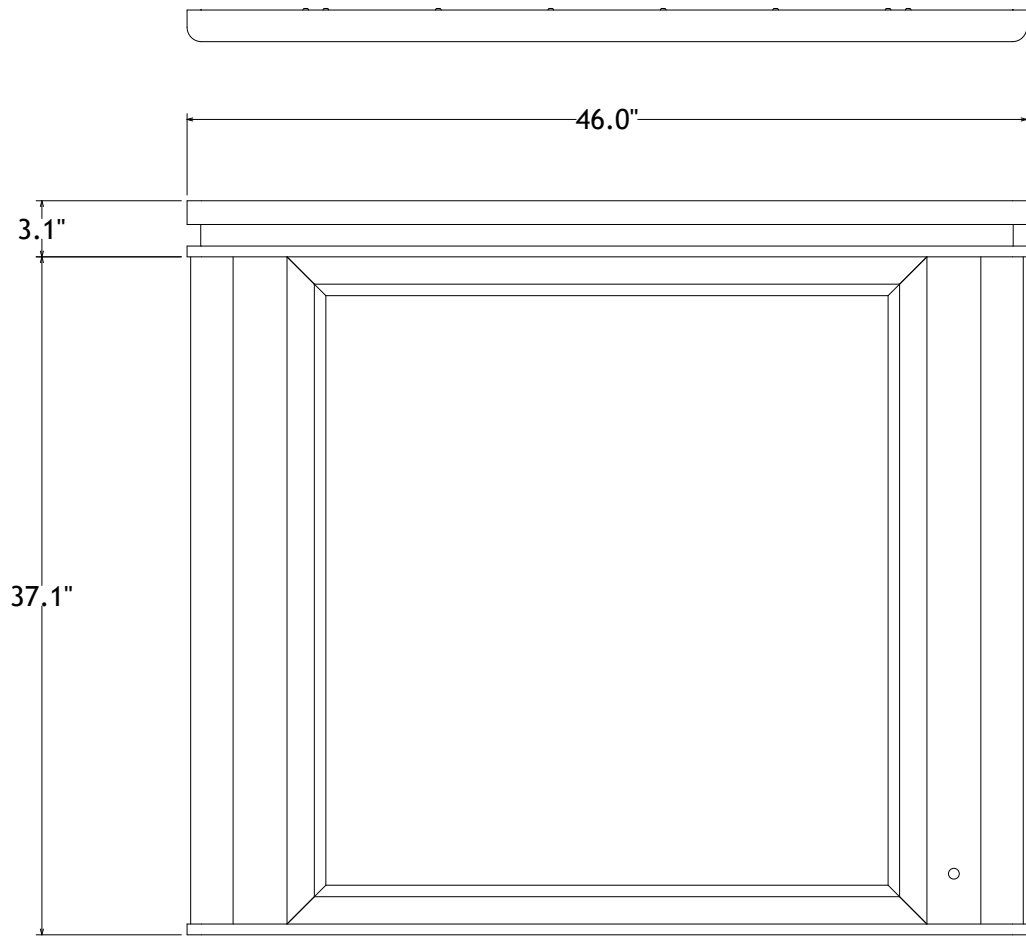


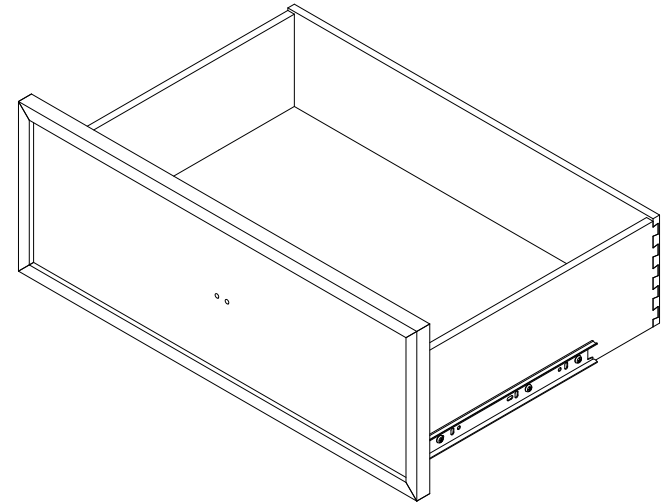
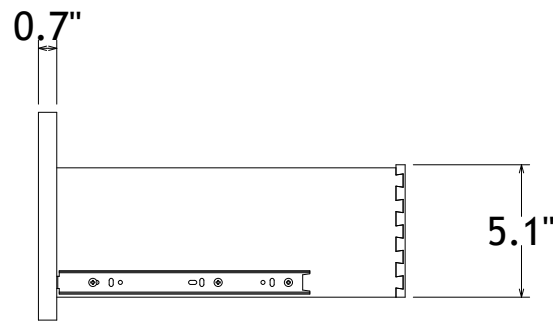
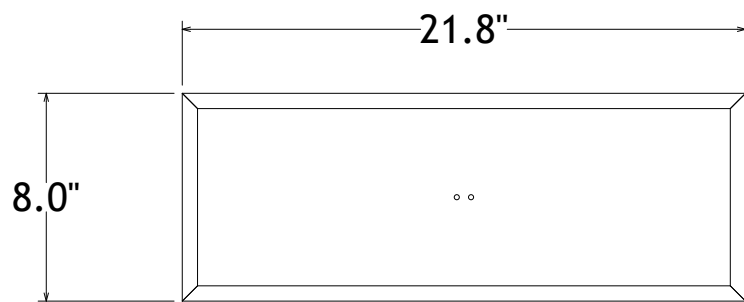
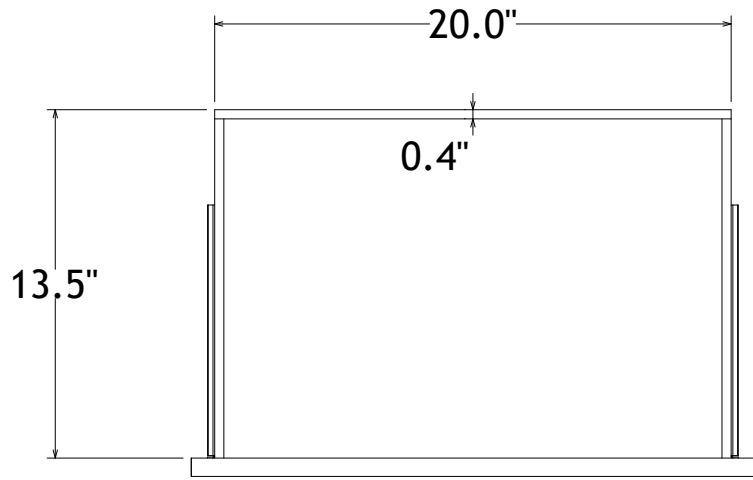
ALINA-Drawer : B - DRR

ALINA-DRR



ALINA-MRR





ALINA-Drawer NS

ALINA-NS

