

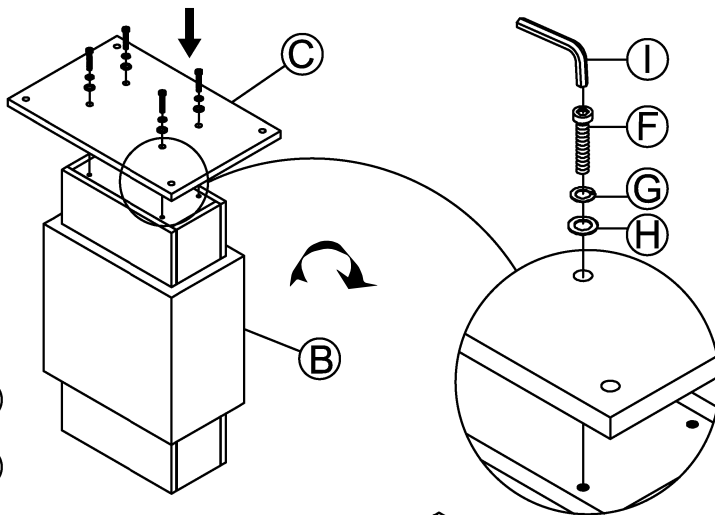
ASSEMBLY INSTRUCTION

Model : D12DT-D1212DT

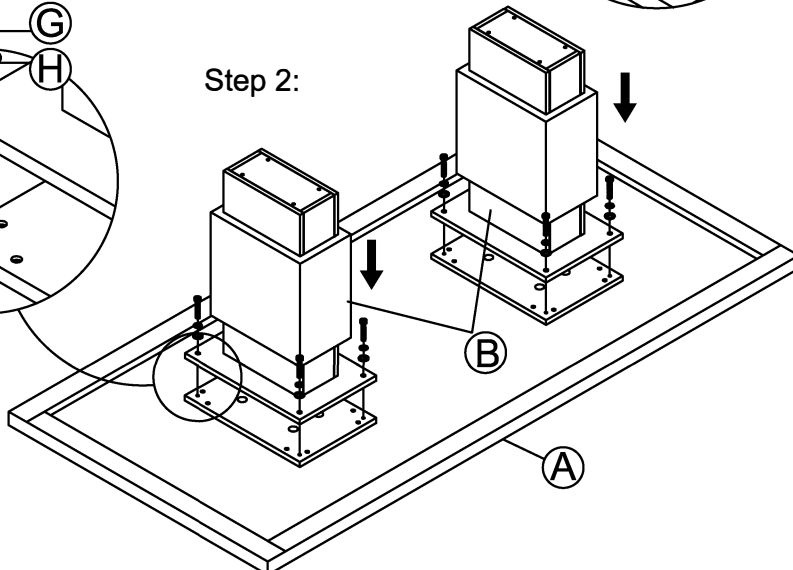
Description : Dining Table

Thank you for purchasing this quality product. Be sure to check all packing material carefully for small parts that may have come loose inside the carton during shipment.

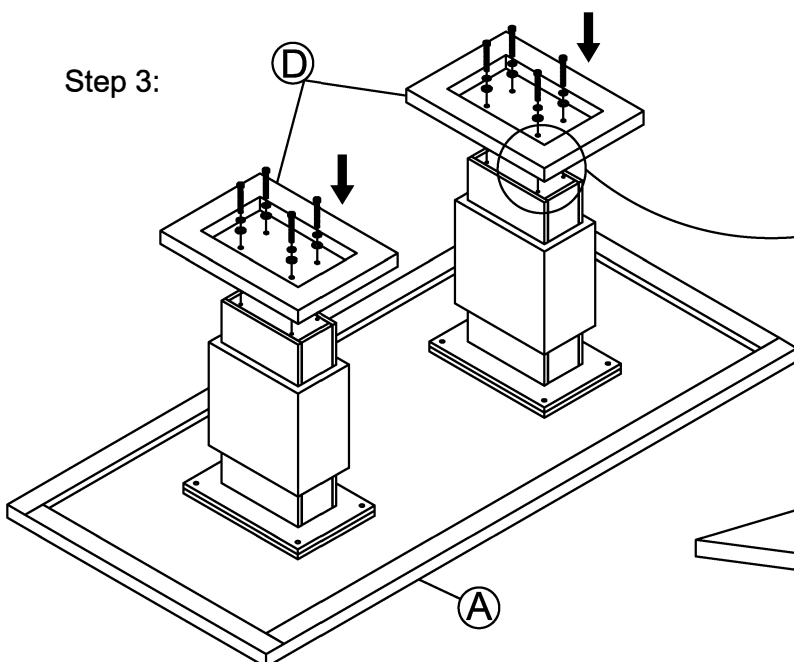
Step 1:



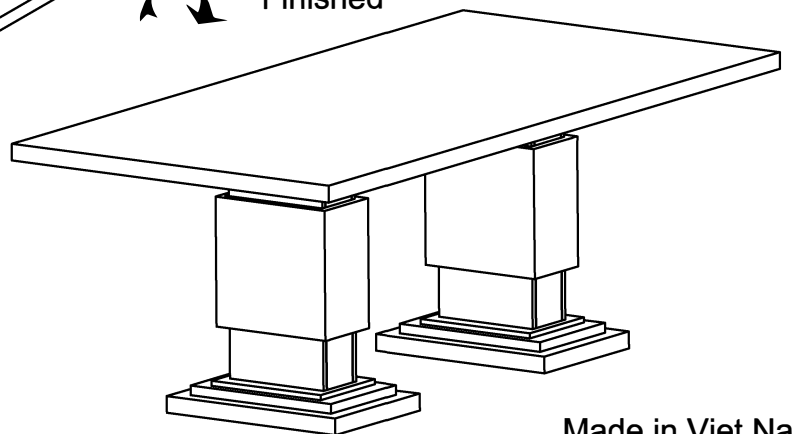
Step 2:



Step 3:



Finished



PART LIST:

No.	Description	Diagram	Quantity
A	Table Top		1
B	Table Legs		2
C	Connection Panel		2
D	Legs Base		2

HARDWARE LIST: Located in carton 1 of 2 (D12DT-T)

No.	Description	Diagram	Size	Quantity
E	Bolt		Ø5/16" x 2-1/2"	8
F	Bolt		Ø5/16" x 1-3/8"	16
G	Lock Washer		Ø5/16"	24
H	Flat Washer		Ø5/16"	24
I	Allen Key		M5	1

