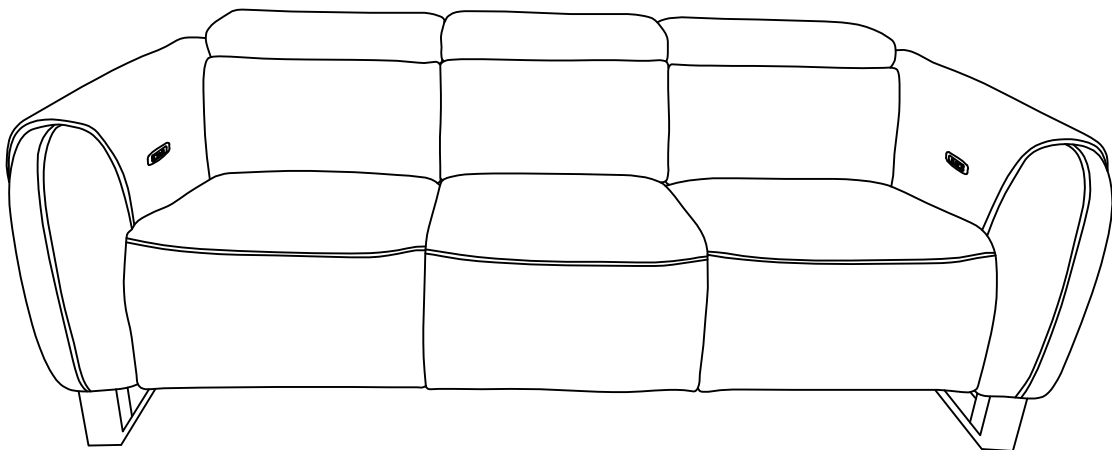


ASSEMBLY INSTRUCTIONS

Model: U8520 Sofa

Description: Sofa-2 Power Recliner, Cup Holder & USB

Thank you for purchasing this quality product. Be sure to check all packing material carefully for small parts that may have come loose inside the carton during shipment

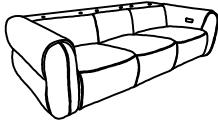
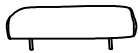


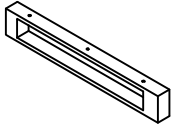






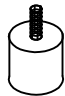
ASSEMBLY INSTRUCTIONS

Model: U8520 Sofa

Description: Sofa-2 Power Recliner, Cup Holder & USB

Thank you for purchasing this quality product. Be sure to check all packing material carefully for small parts that may have come loose inside the carton during shipment

PARTS LIST				PARTS LIST			
NO.	DESCRIPTION	SKETCH	QTY	NO.	DESCRIPTION	SKETCH	QTY
A	SEAT BODY		1 PC	B	HEADREST		3 PCS

HARDWARE LIST				HARDWARE LIST			
NO.	DESCRIPTION	SKETCH	QTY	NO.	DESCRIPTION	SKETCH	QTY
D	LEGS		2 PCS	H	ALLEN KEY (M5)		1 PC
E	BOLT (Ø5/16" X60MM)		6 PCS	I	ADAPTER		1 PC
F	SPRING WASHER (Ø5/16")		6 PCS	K	PLUG WITH WIRE		1 PC
G	FLAT WASHER (Ø5/16"x22)		6 PCS	L	LEGS		8 PCS

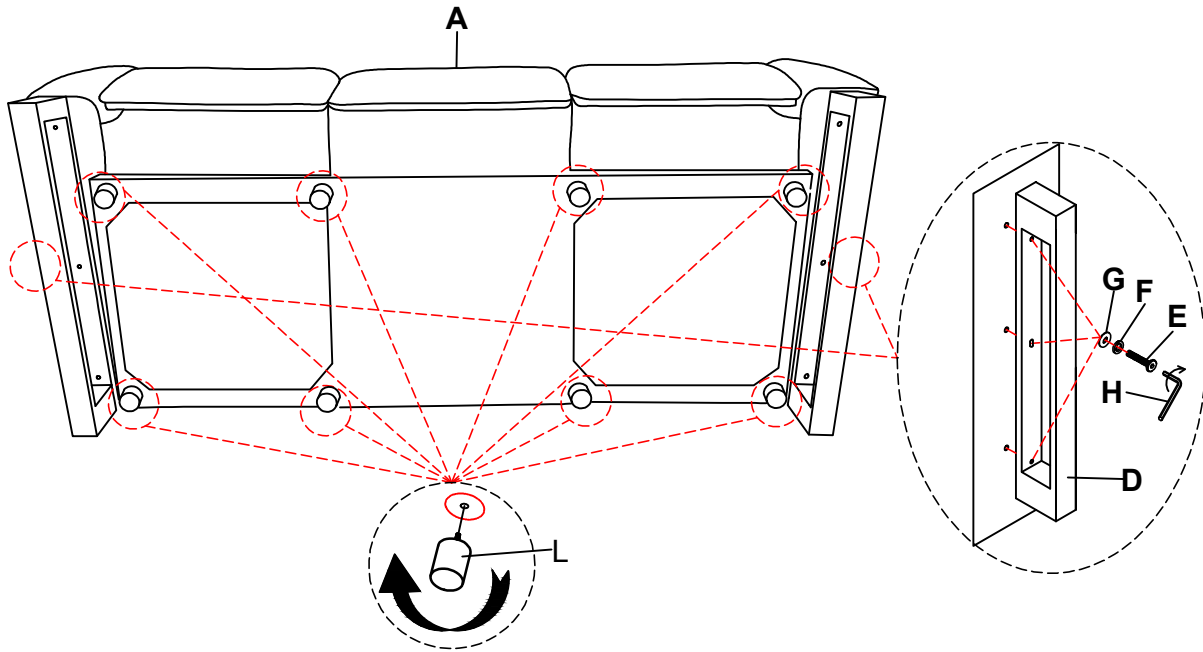
ASSEMBLY INSTRUCTIONS

Model: U8520 Sofa

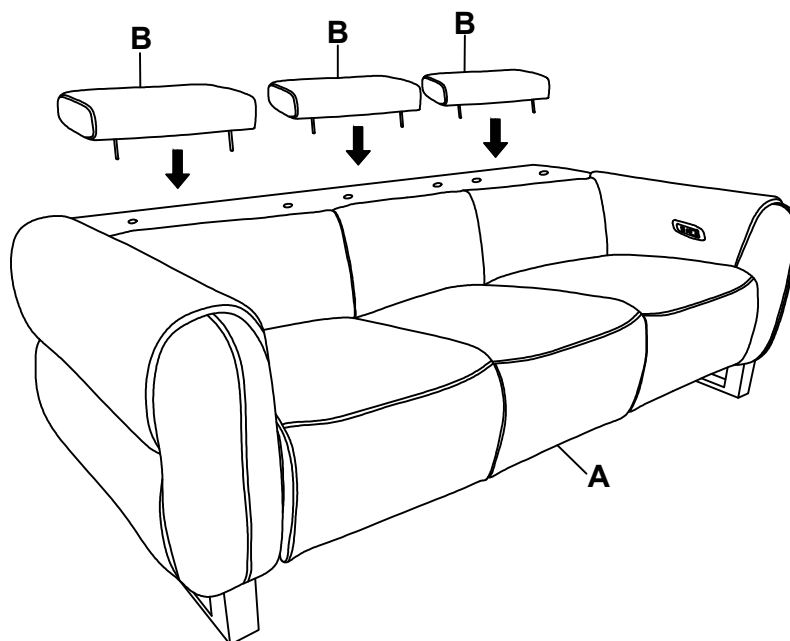
Description: Sofa-2 Power Recliner, Cup Holder & USB

Thank you for purchasing this quality product. Be sure to check all packing material carefully for small parts that may have come loose inside the carton during shipment

Step 1: Screw legs (L) & legs (D) to the seat (A) as shown below diagram.



Step 2: Attach headrest (B) to seat body (A) as shown below diagram.



3 OF 4

Made in Vietnam

ASSEMBLY INSTRUCTIONS

Model: U8520 Sofa

Description: Sofa-2 Power Recliner, Cup Holder & USB

Thank you for purchasing this quality product. Be sure to check all packing material carefully for small parts that may have come loose inside the carton during shipment

Step 3: Plug in adapter (I) to plug with wire (K) then connect with power to open the footrest by pressing the button on/off

