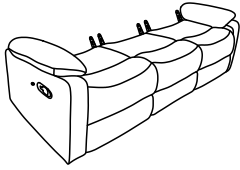

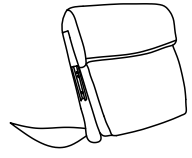

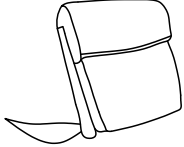






ASSEMBLY INSTRUCTIONS

Model: U6026 Sofa

Description: Reclining Sofa

Thank you for purchasing this quality product. Be sure to check all packing material carefully for small parts that may have come loose inside the carton during shipment

PARTS LIST				PARTS LIST			
NO.	DESCRIPTION	SKETCH	QTY	NO.	DESCRIPTION	SKETCH	QTY
A	SEAT BODY		1 PC	E	LEFT EAR		1 PC
B	LSF BACK REST		1 PC	F	RIGHT EAR		1 PC
C	MIDDLE BACK REST		1 PC	G	LEFT ARM PILLOW		1 PC
D	RSF BACK REST		1 PC	H	RIGHT ARM PILLOW		1 PC

HARDWARE LIST				HARDWARE LIST			
NO.	DESCRIPTION	SKETCH	QTY	NO.	DESCRIPTION	SKETCH	QTY
K	POWER SUPPLY		1 PC				

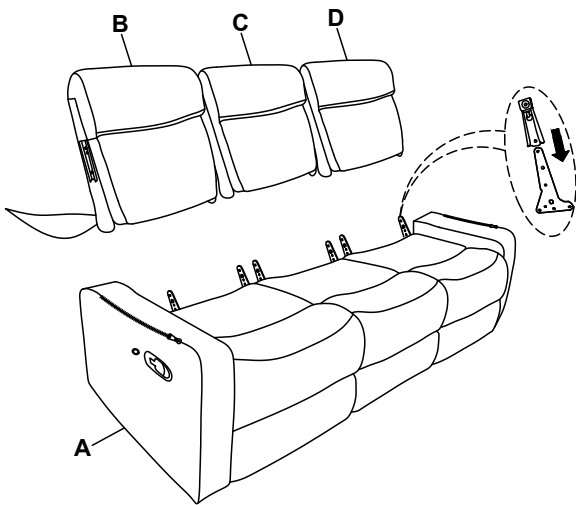
ASSEMBLY INSTRUCTIONS

Model: U6026 Sofa

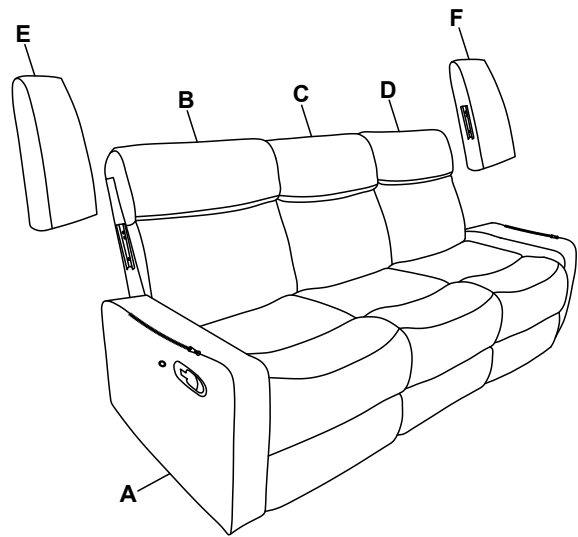
Description: Reclining Sofa

Thank you for purchasing this quality product. Be sure to check all packing material carefully for small parts that may have come loose inside the carton during shipment

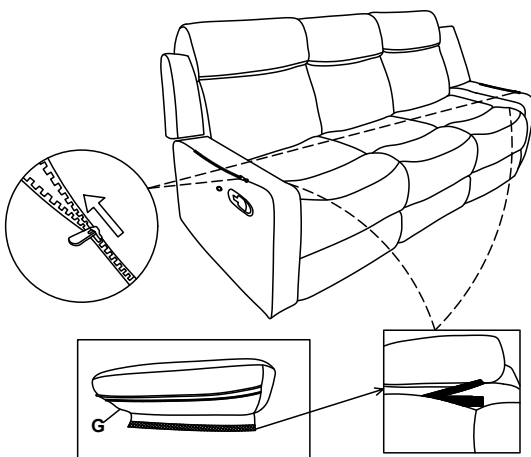
Step 1: Attach LSF back rest (B) middle backrest (D) & right back rest to seat (A) as shown below diagram.



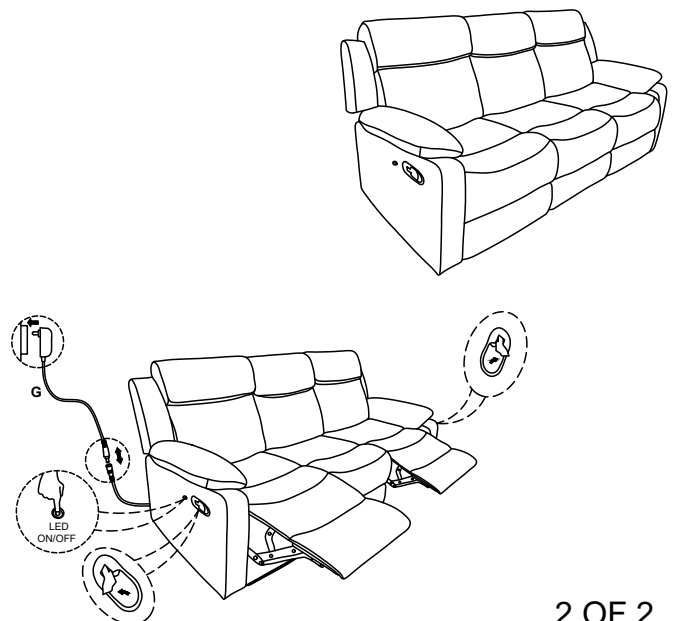
Step 2: Attach left ear (E) & right ear (F) to seat (A) as shown below diagram.



Step 3: Use left arm pillow (G) to connect to left arm & right arm pillow connect to right arm by zipper as shown below diagram.



Step 4: Use adapter (G) to connect to power to open led by pressing the button on/off Pull out handle to open the footrest as shown below diagram.



2 OF 2

Made in Vietnam