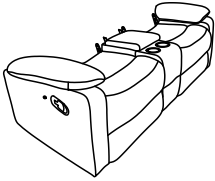





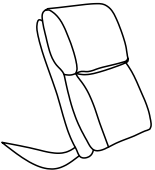




# ASSEMBLY INSTRUCTIONS

Model: U6026 Loveseat

Description: Console Reclining Loveseat

**Thank you for purchasing this quality product. Be sure to check all packing material carefully for small parts that may have come loose inside the carton during shipment**

PARTS LIST				PARTS LIST			
NO.	DESCRIPTION	SKETCH	QTY	NO.	DESCRIPTION	SKETCH	QTY
A	SEAT BODY		1 PC	E	LEFT EAR		1 PC
B	LSF BACK REST		1 PC	F	RIGHT EAR		1 PC
C	RIGHT BACK REST		1 PC	G	LEFT ARM PILLOW		1 PC
D	CONSOLE BACK REST		1 PC	H	RIGHT ARM PILLOW		1 PC

HARDWARE LIST				HARDWARE LIST			
NO.	DESCRIPTION	SKETCH	QTY	NO.	DESCRIPTION	SKETCH	QTY
K	POWER SUPPLY		1 PC				

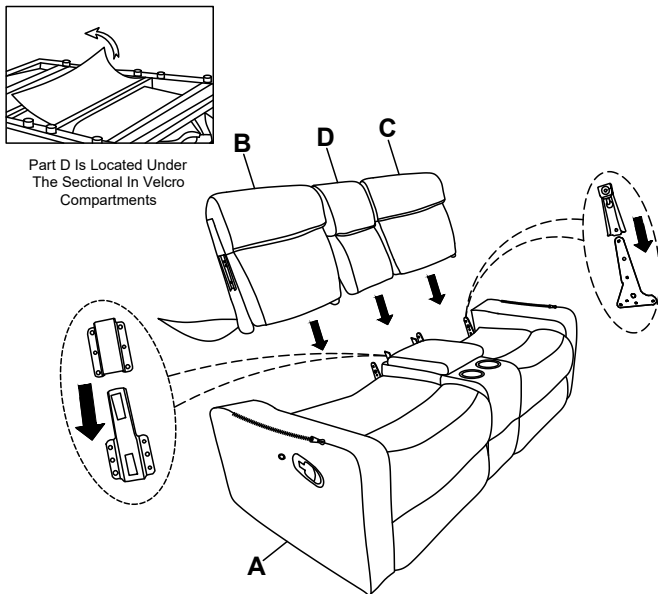
# ASSEMBLY INSTRUCTIONS

Model: U6026 Loveseat

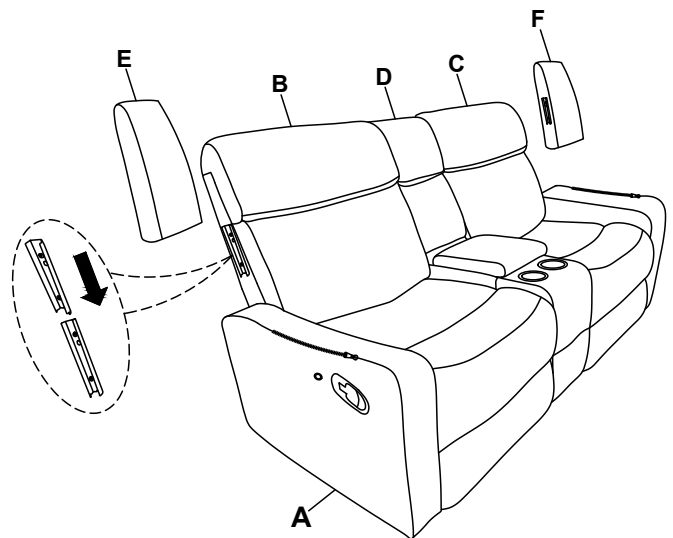
Description: Console Reclining Loveseat

Thank you for purchasing this quality product. Be sure to check all packing material carefully for small parts that may have come loose inside the carton during shipment

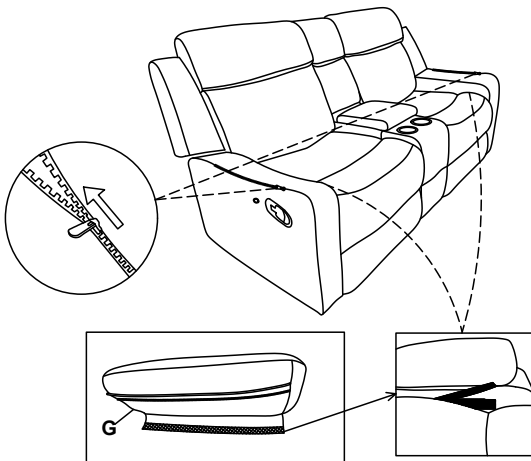
**Step 1:** Attach LSF back rest (B) console backrest (D) & right back rest to seat (A) as shown below diagram



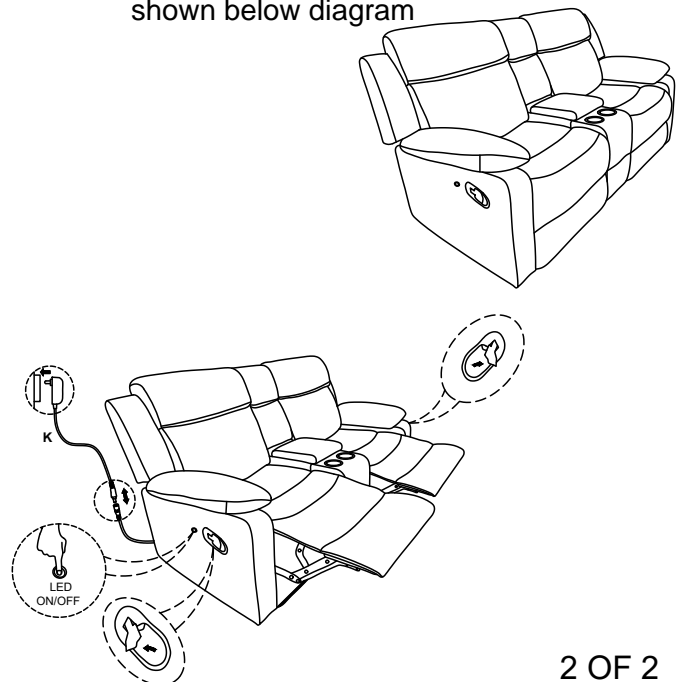
**Step 2:** Attach left ear (E) & right ear (F) to seat (A) as shown below diagram .



**Step 3:** Use left arm pillow (G) to connect to left arm & right arm pillow connect to right arm by zipper as shown below diagram.



**Step 4:** Use adapter (G) to connect to power to open led by pressing the button on/off Pull out handle to open the footrest as shown below diagram



2 OF 2

Made in Vietnam