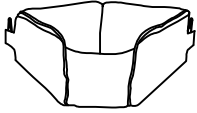
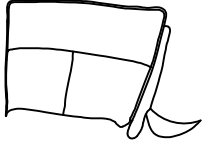
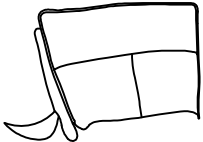


ASSEMBLY INSTRUCTIONS

Model: U8088

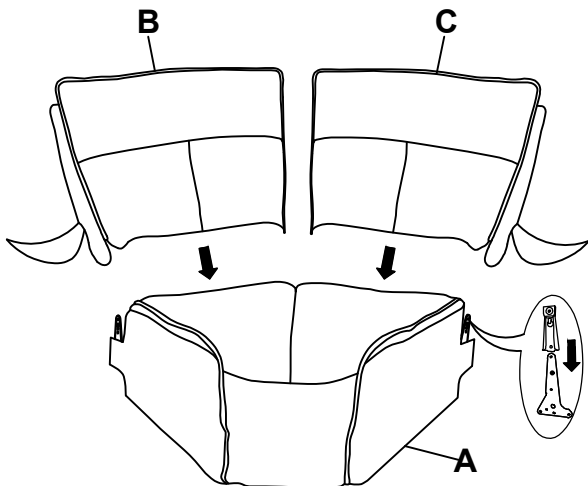
Description: Wedge.

Thank you for purchasing this quality product. Be sure to check all packing material carefully for small parts that may have come loose inside the carton during shipment

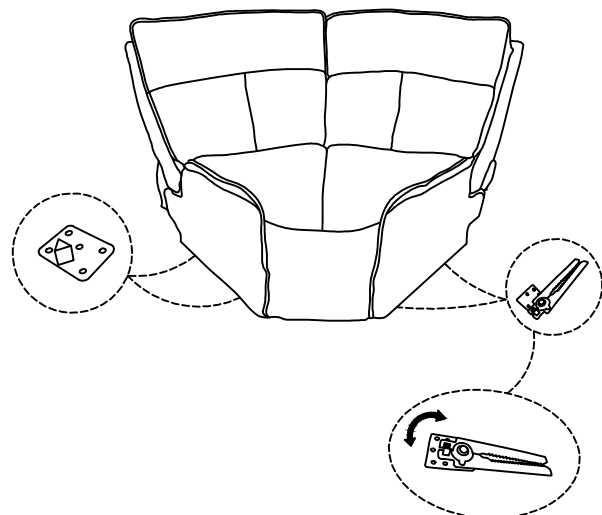
PARTS LIST				PARTS LIST			
NO.	DESCRIPTION	SKETCH	QTY	NO.	DESCRIPTION	SKETCH	QTY
A	SEAT OF WEDGE		1 PC	C	RIGHT BACK REST OF WEDGE		1 PC
B	LEFT BACK REST OF WEDGE		1 PC				

Step 1:

Attach Backrest (B) and (C) to the Seat (A).



Step 2:



Rotate the connecting hardware straightout as shown in the diagram w/90 degree which used to combine the chairs together as step 3.

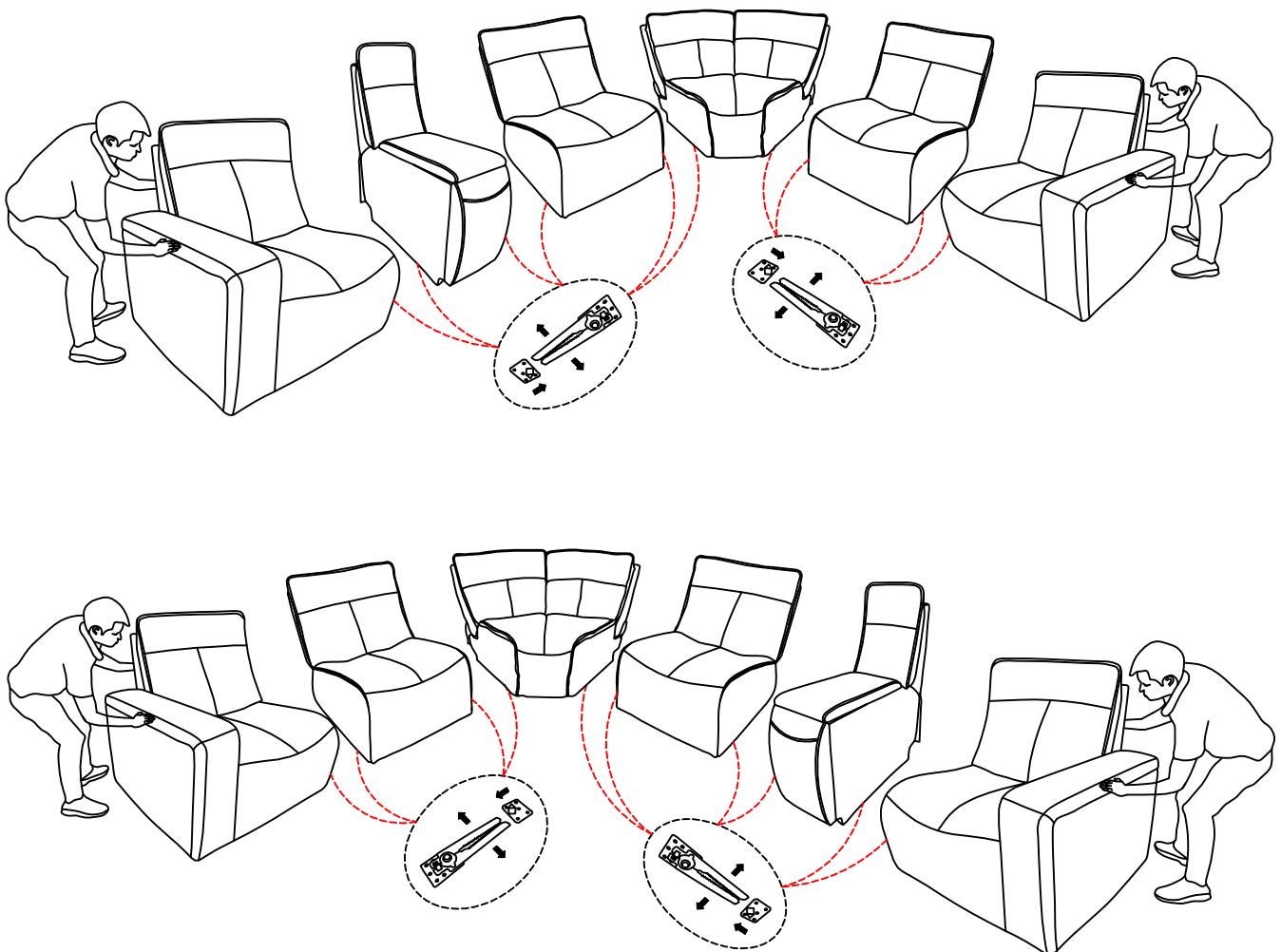
ASSEMBLY INSTRUCTIONS

Model: U8088

Description: Wedge.

Thank you for purchasing this quality product. Be sure to check all packing material carefully for small parts that may have come loose inside the carton during shipment

Step 3: Align with the front of each chair and push it to the others as below diagram.



2 OF 3

Made in Vietnam

ASSEMBLY INSTRUCTIONS

Model: U8088

Description: Wedge.

Thank you for purchasing this quality product. Be sure to check all packing material carefully for small parts that may have come loose inside the carton during shipment

Step 4: Use the Adapter to connect with power, then open the footrest by pressing the power button on/off.

