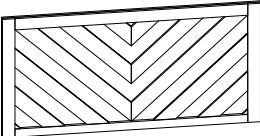
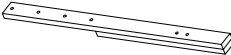
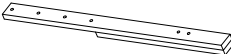
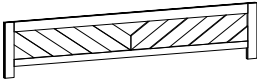
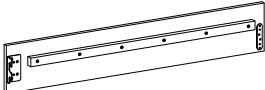
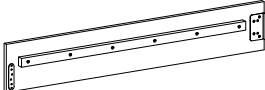
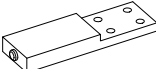


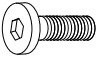
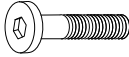
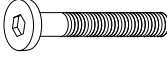






# MICAH-GREY- KB ASSEMBLY INSTRUCTION

## PART LIST

A	HEADBOARD		1 PC
B	HEADBOARD LEG (R)		1 PC
C	HEADBOARD LEG (L)		1 PC
D	FOOTBOARD		1 PC
E	SIDE RAIL (i)		2 PCS
F	SIDE RAIL (ii)		2 PCS
G	SIDE RAIL SUPPORT		2 PCS
H	SLAT		4 PCS
I	CENTER SLAT SUPPORT		8 PCS

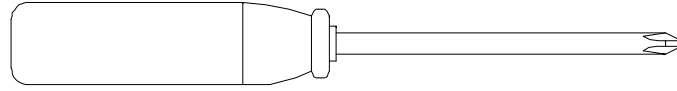
## HARDWARE LIST

ITEM	DESCRIPTION	DRAWING	QTY
1	JCBB SCREW M8 x 16MM		8 PCS
2	JCBB SCREW M8 x 25MM		8 PCS
3	JCBB SCREW M8 x 40MM		8 PCS
4	SPRING WASHER M8 x 14MM		16 PCS
5	FLAT WASHER M8 x 22MM		16 PCS
6	SCREW M4 x 32MM		8 PCS
7	ALLEN KEY M5		1 PC

# MICAH-GREY- KB ASSEMBLY INSTRUCTION

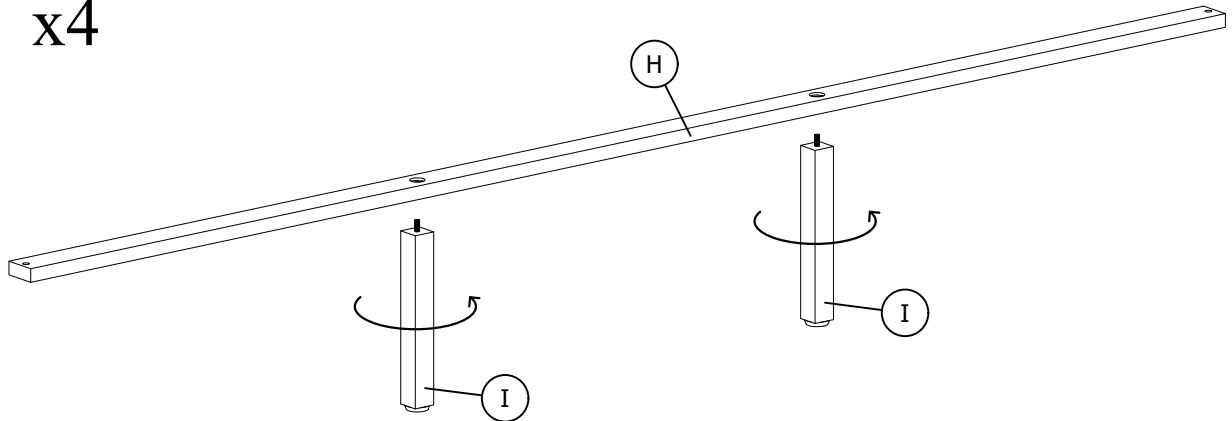
## ASSEMBLY TOOLS REQUIRED

1. Screwdriver (not provide)

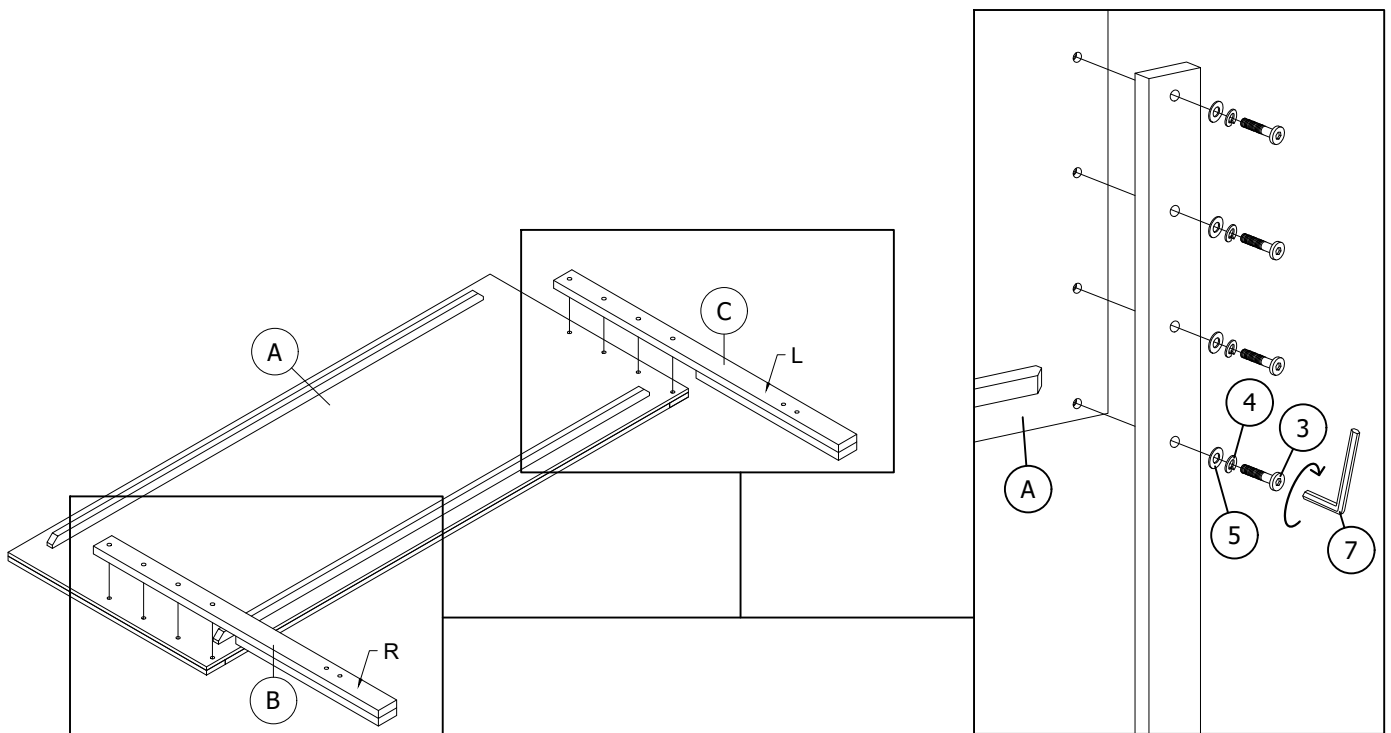


### STEP 1

x4

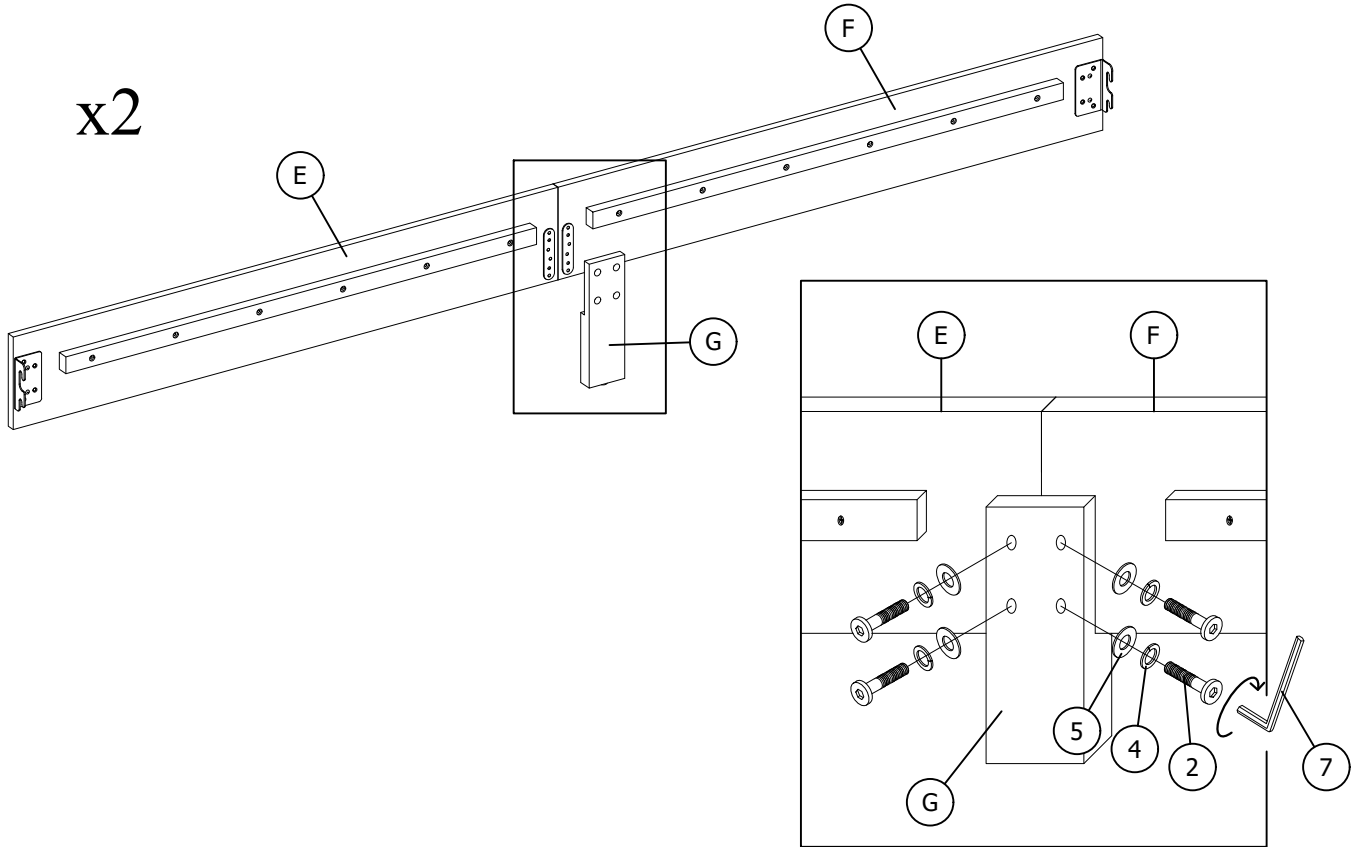


### STEP 2

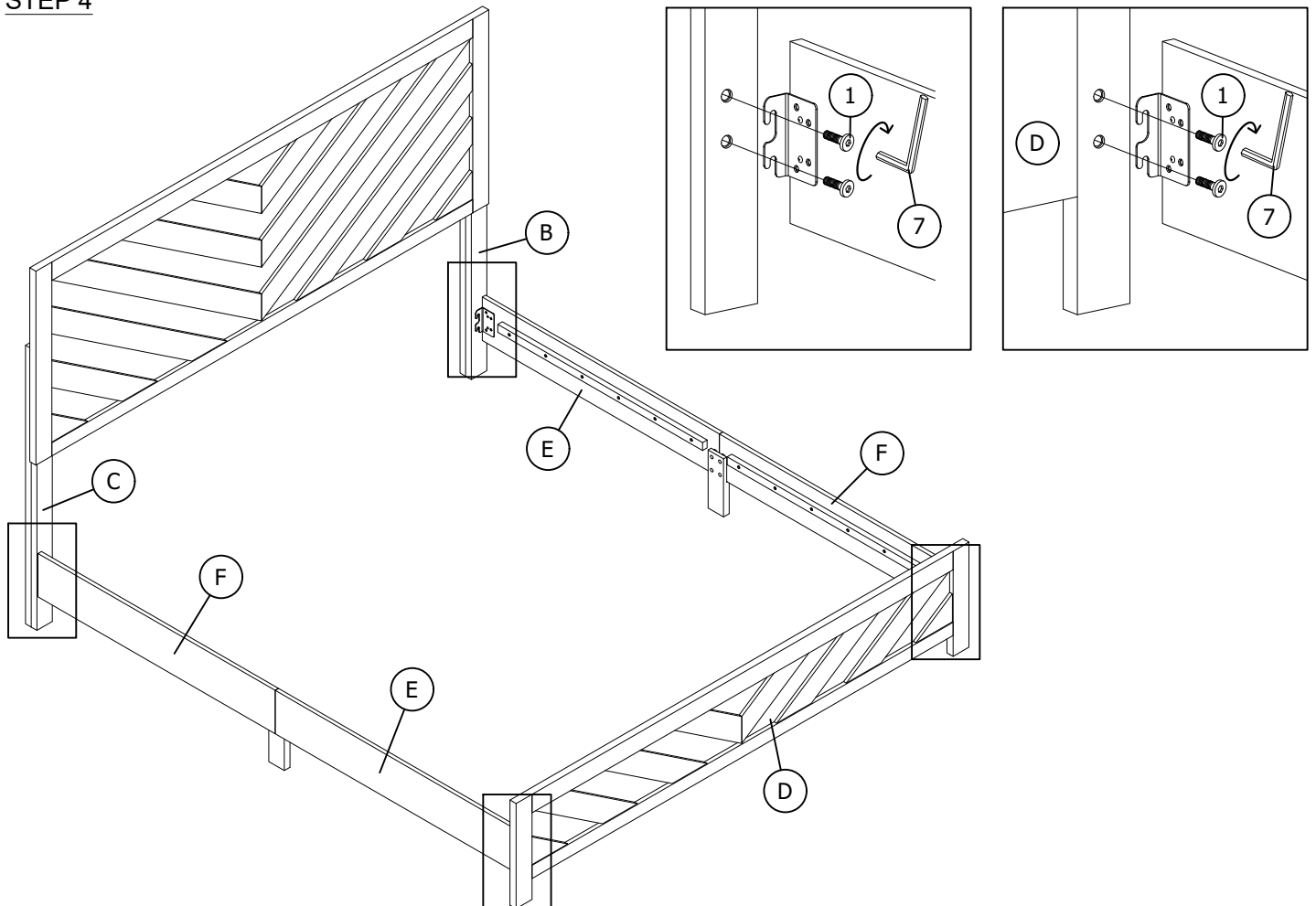


# MICAH-GREY- KB ASSEMBLY INSTRUCTION

## STEP 3

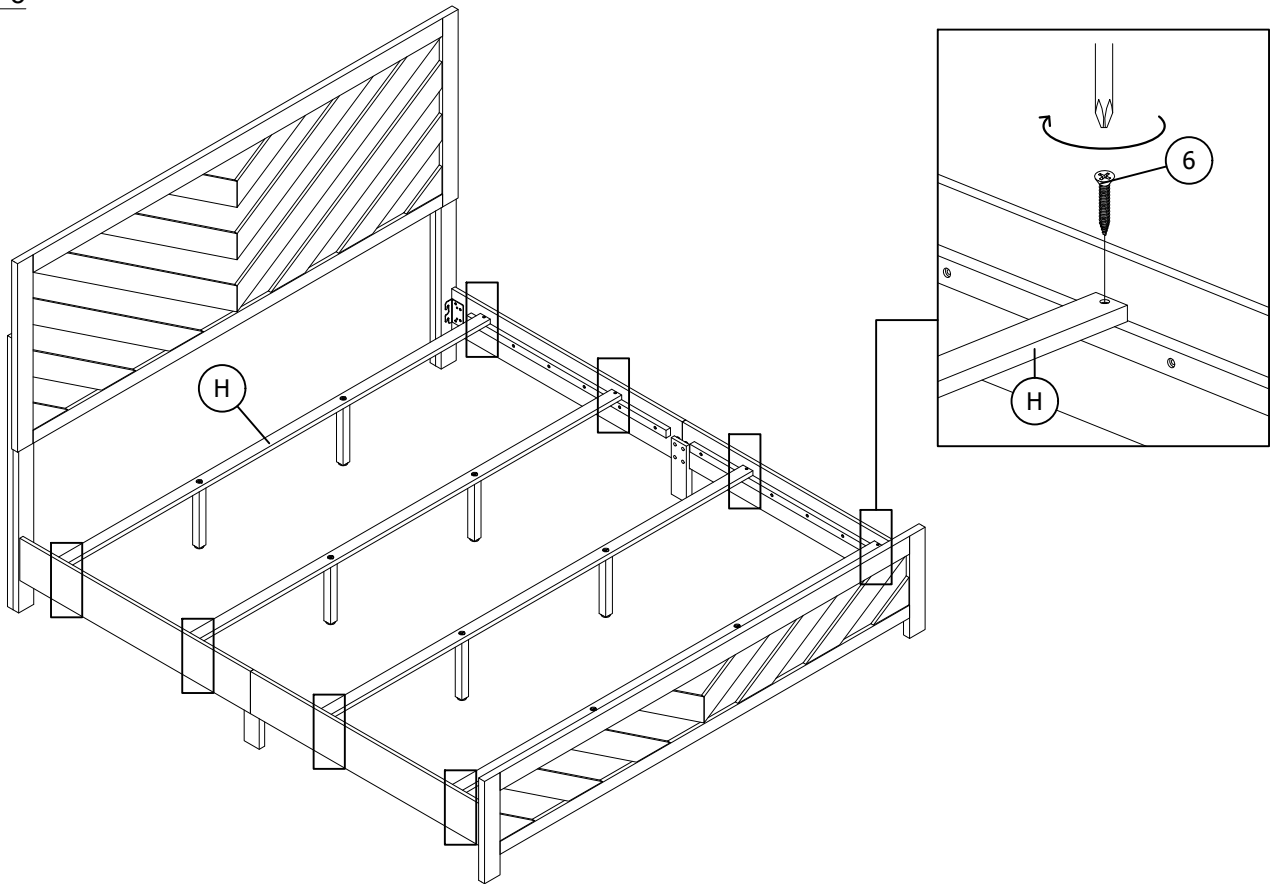


## STEP 4

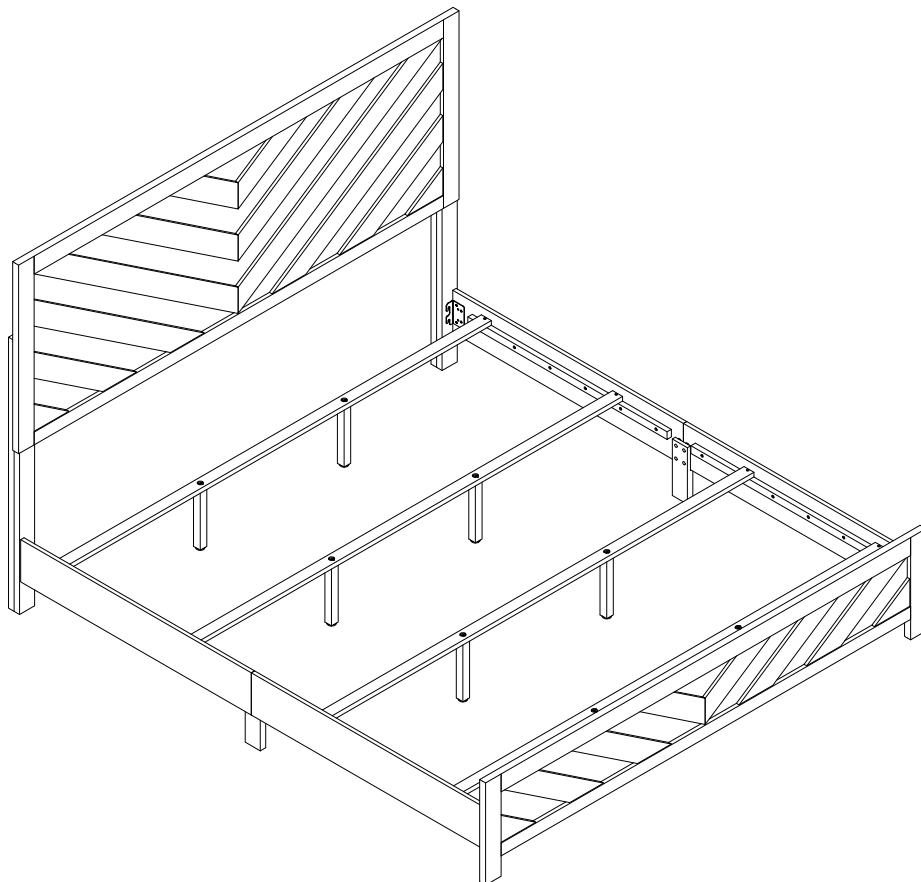


# MICAH-GREY- KB ASSEMBLY INSTRUCTION

## STEP 5




## STEP 6



**ASSEMBLY COMPLETED**

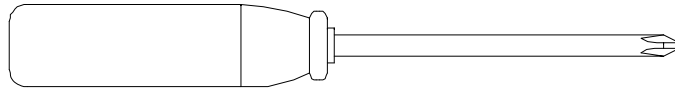
# MICAH-GREY - DR ASSEMBLY INSTRUCTION

## HARDWARE LIST

1	TIPPING RESTRAINT		1 SET
---	-------------------	---	-------

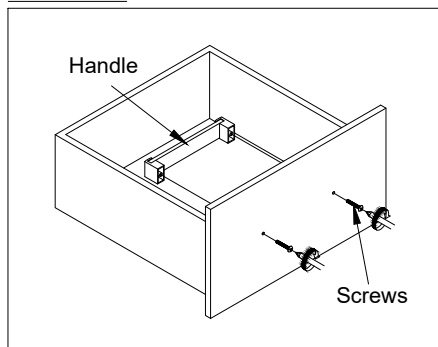
## ASSEMBLY TOOLS REQUIRED

### 1. Screwdriver (not provide)

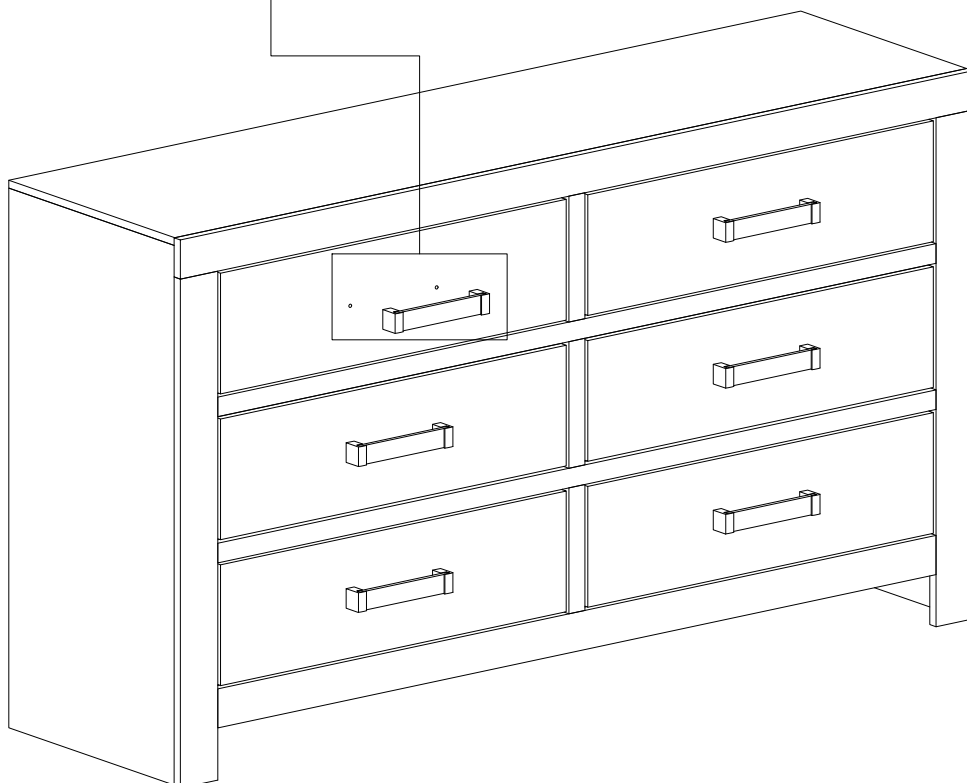
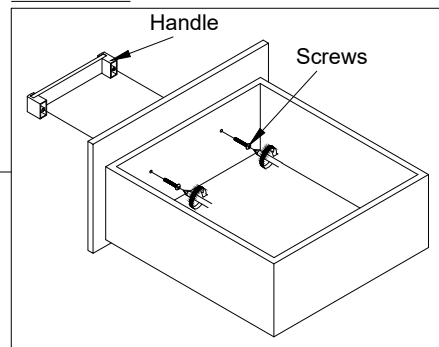


## STEP 1

### STEP 1.1

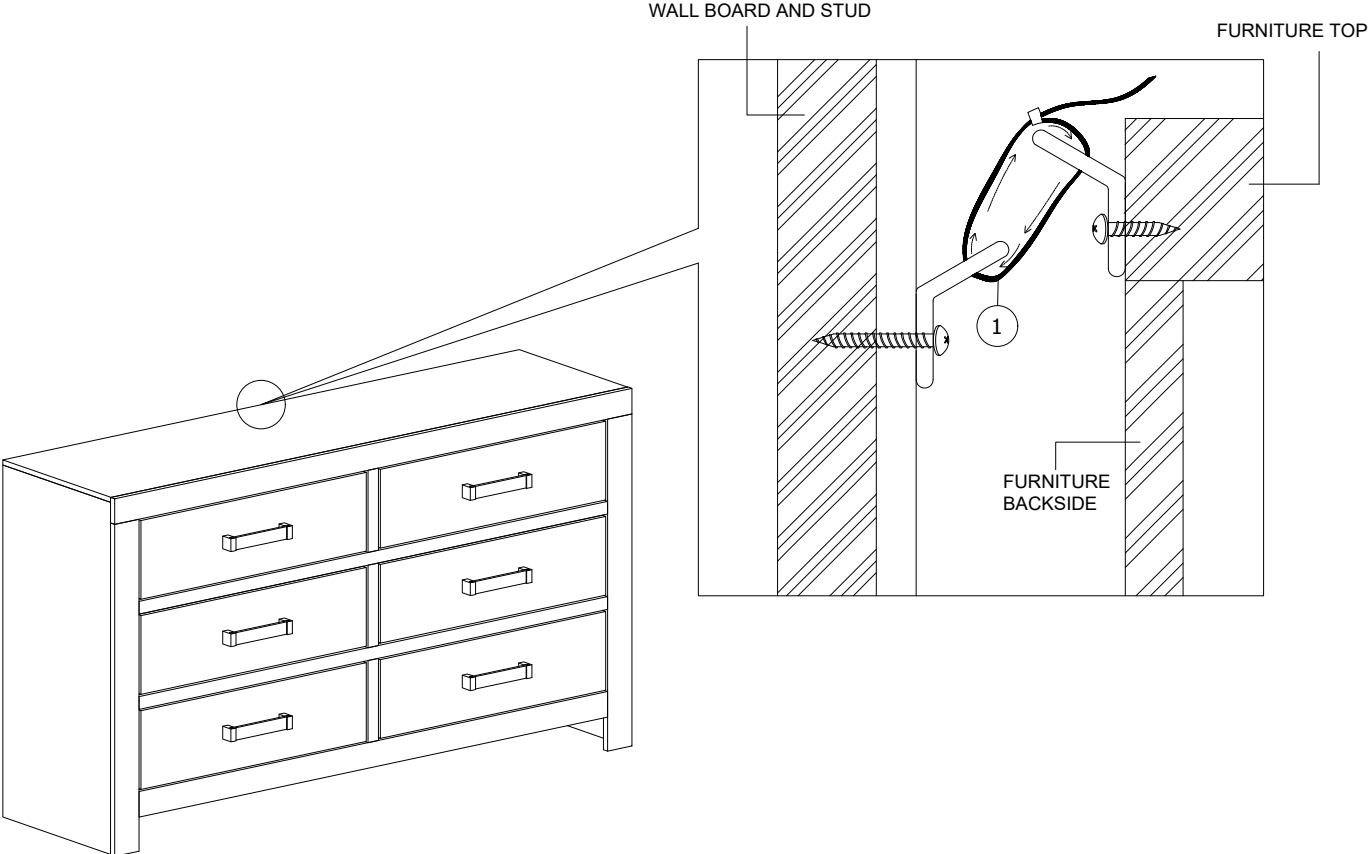


### STEP 1.2

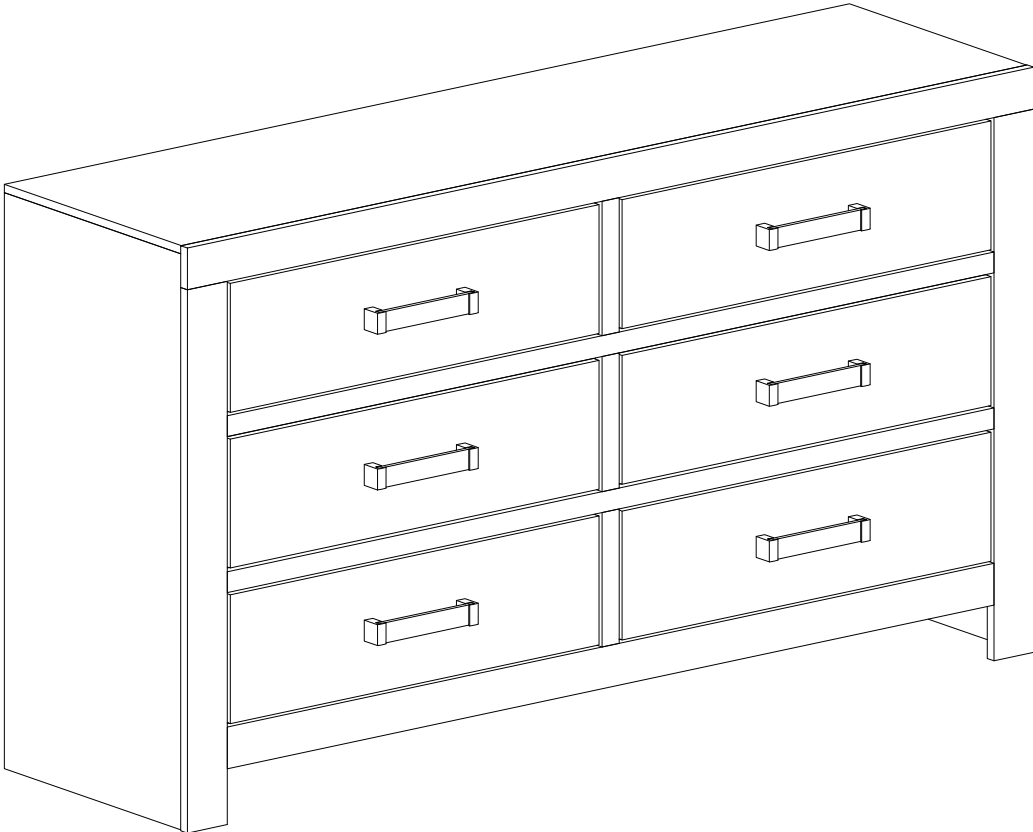


# MICAH-GREY - DR ASSEMBLY INSTRUCTION

## STEP 2



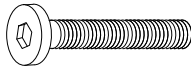



## STEP 3



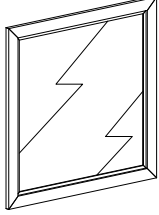
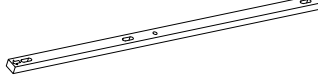
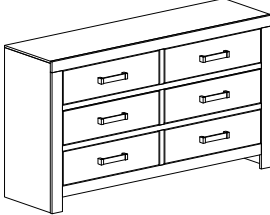
**ASSEMBLY COMPLETED**

# MICAH-GREY - MR ASSEMBLY INSTRUCTION

## HARDWARE LIST

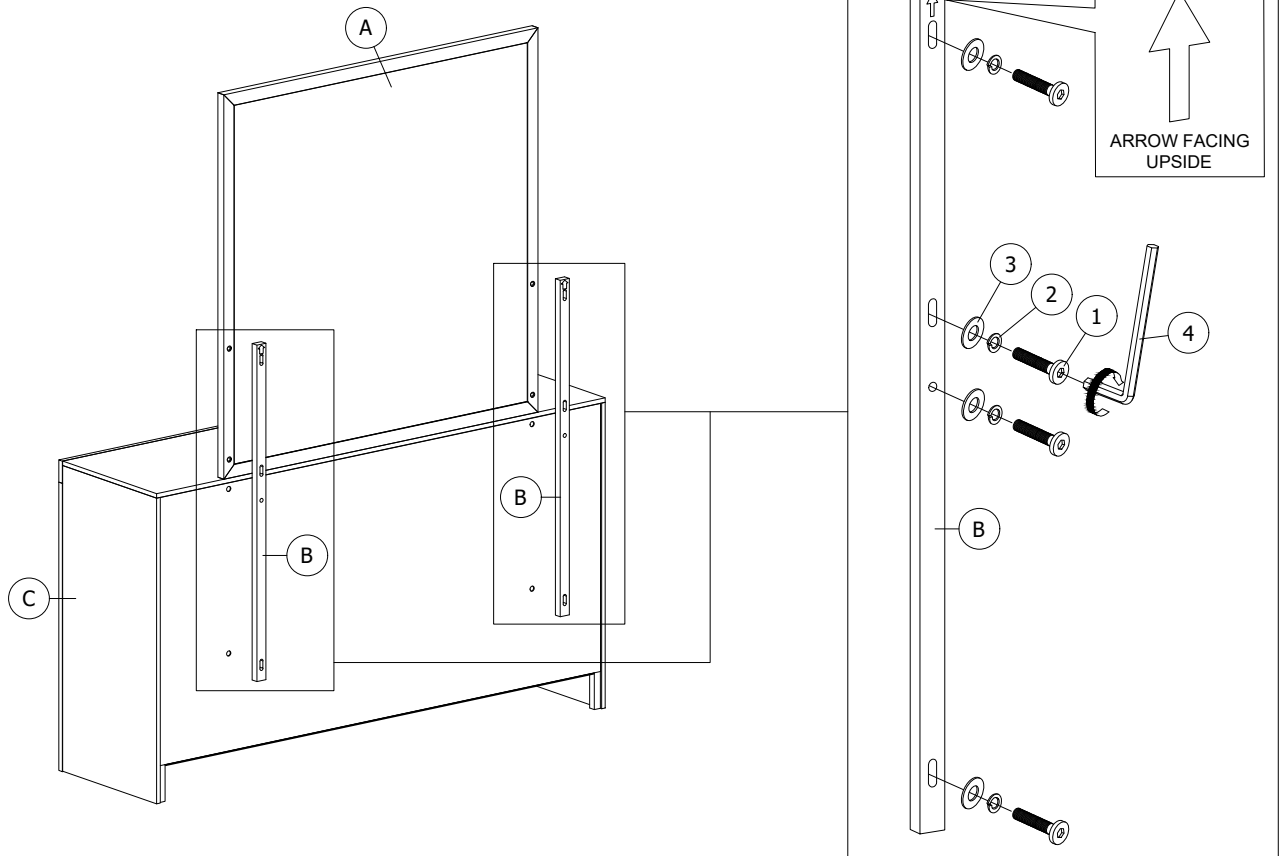
ITEM	DESCRIPTION	DRAWING	QTY
1	JCBC SCREW M6 x 40MM		8 PCS
2	SPRING WASHER M6 x 13MM		8 PCS
3	SPRING WASHER M6 x 19MM		8 PCS
4	ALLEN KEY (M4 x 60MM)		1 PC

## PART LIST

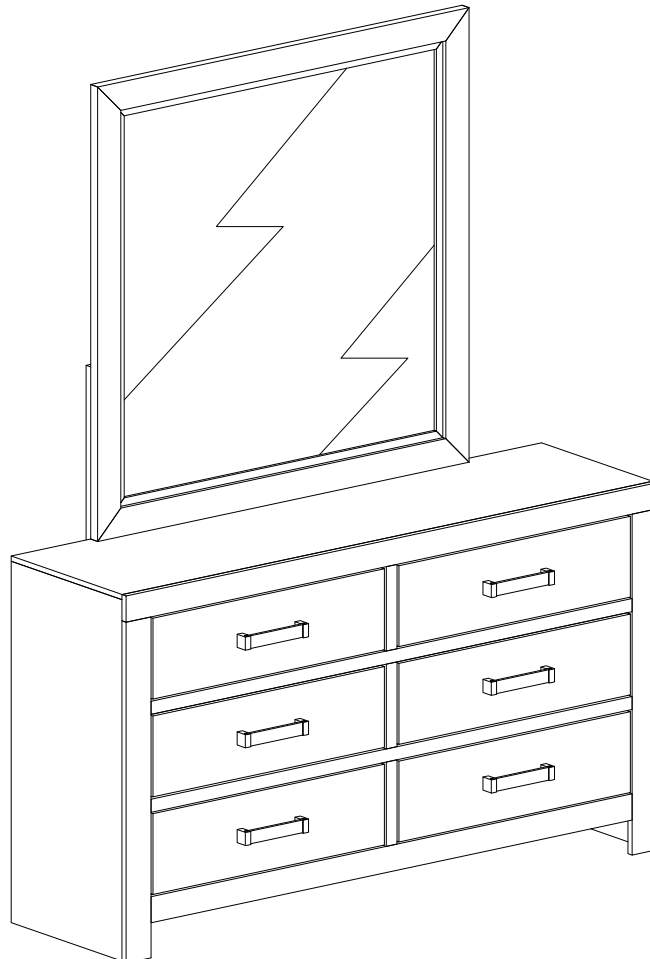
ITEM	DESCRIPTION	DRAWING	QTY
A	MIRROR		1 PC
B	MIRROR SUPPORT RAIL		2 PCS
C	DRESSER		1 PC

# MICAH-GREY - MR ASSEMBLY INSTRUCTION

## STEP 1



## STEP 2



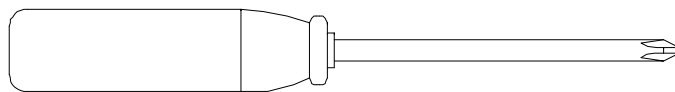
**ASSEMBLY COMPLETED**



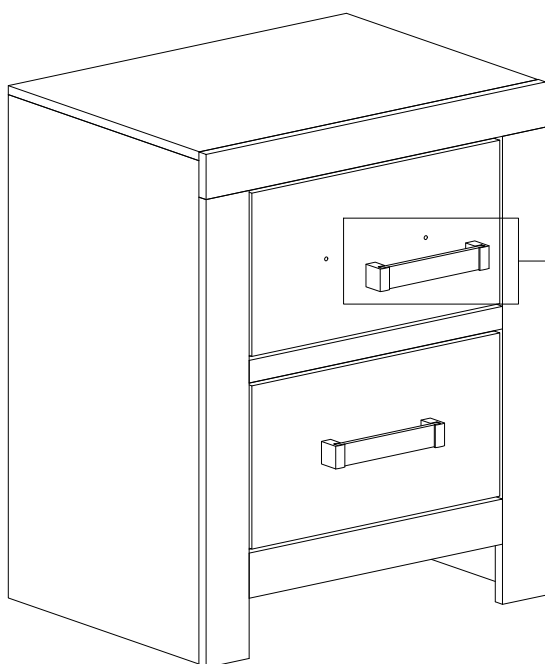
# MICAH-GREY - NS ASSEMBLY INSTRUCTION

## ASSEMBLY TOOLS REQUIRED

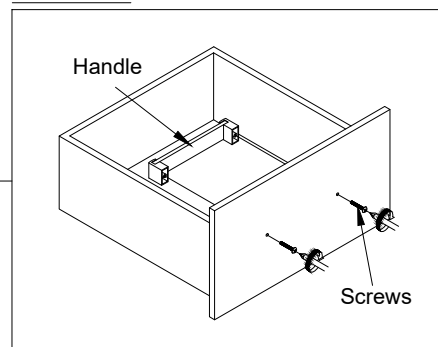
### 1. Screwdriver (not provide)



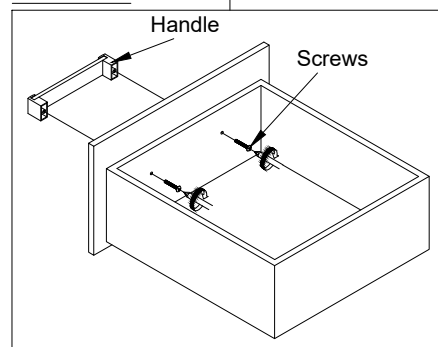
## STEP 1



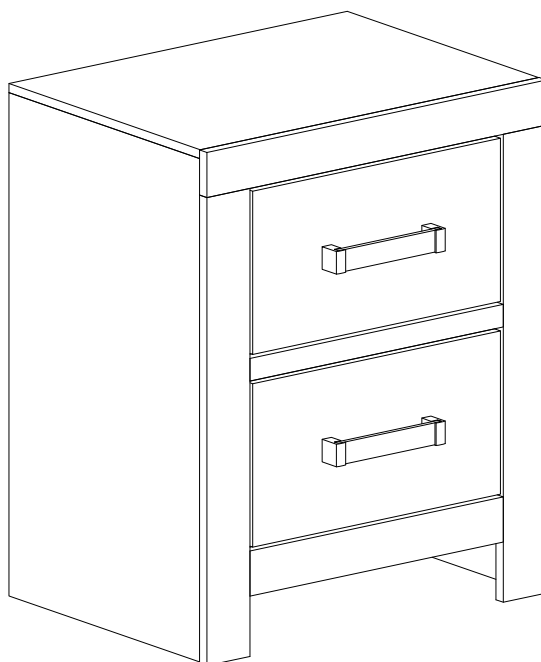
### STEP 1.1



### STEP 1.2




## STEP 2



**ASSEMBLY COMPLETED**

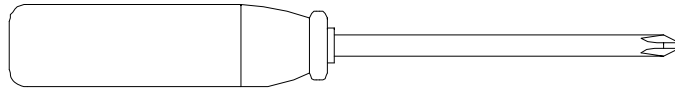
# MICAH-GREY - CH ASSEMBLY INSTRUCTION

## HARDWARE LIST

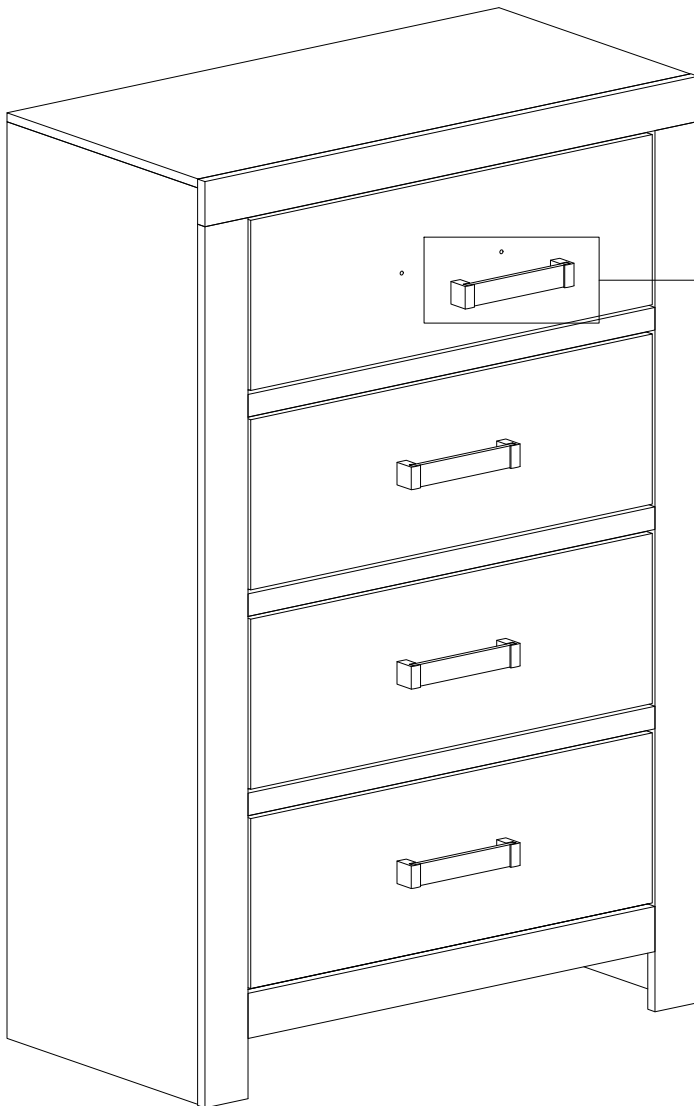
1	TIPPING RESTRAINT		1 SET
---	-------------------	---	-------

## ASSEMBLY TOOLS REQUIRED

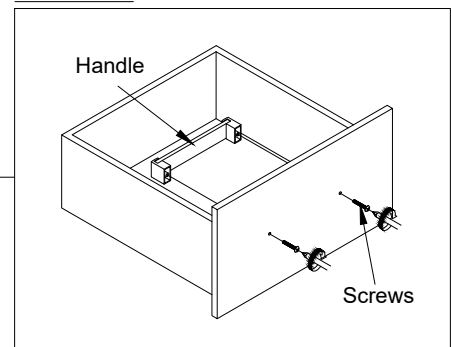
### 1. Screwdriver (not provide)



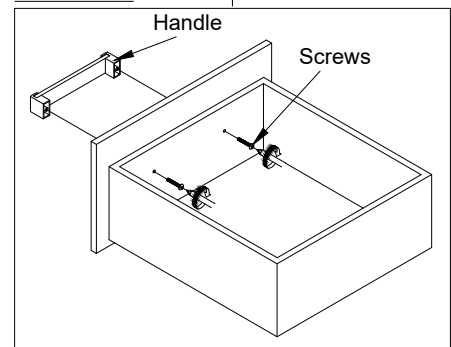
## STEP 1



### STEP 1.1

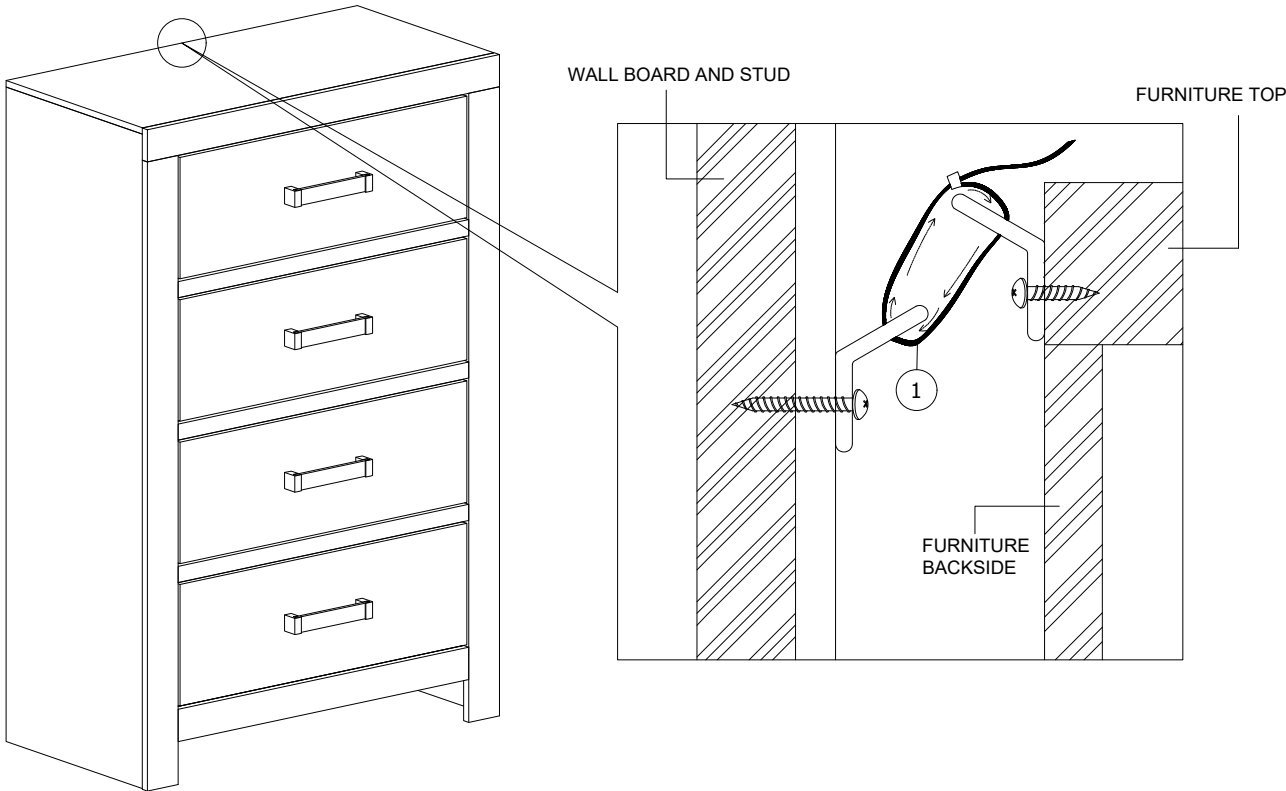


### STEP 1.2

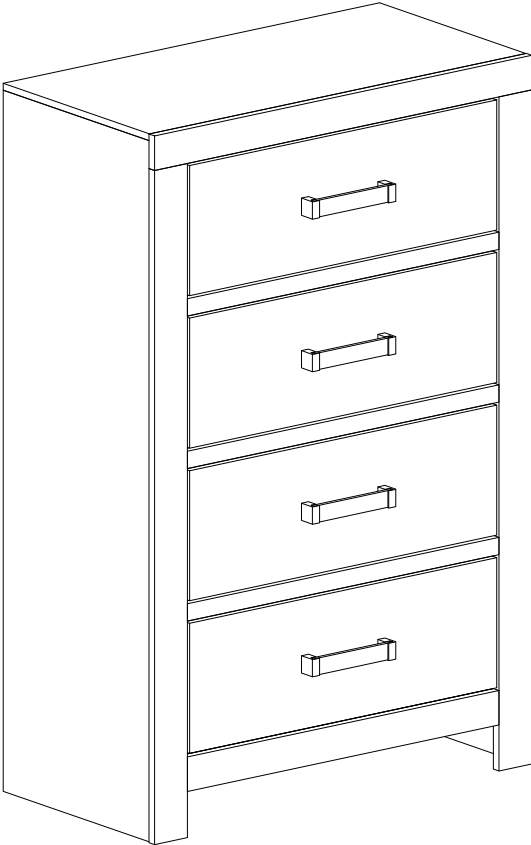


# MICAH-GREY - CH ASSEMBLY INSTRUCTION

## STEP 2



## STEP 3



**ASSEMBLY COMPLETED**