

# ASSEMBLY INSTRUCTIONS

**MODEL : YLIME  
END TABLE**

**(BOX 1)  
BOX OF COFFEE TABLE**

NO	ITEM	QTY
A	TABLE TOP	1 PC
B	CENTER PANEL	1 PC

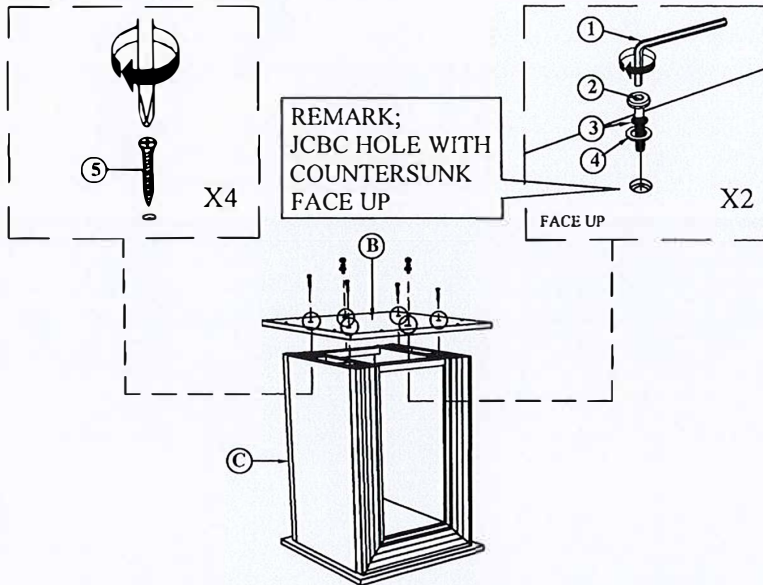
**(BOX 2)  
BOX OF TABLE LEG**

NO	ITEM	QTY
C	TABLE LEG	1PC

**(BOX 1)  
HARDWARE LIST**

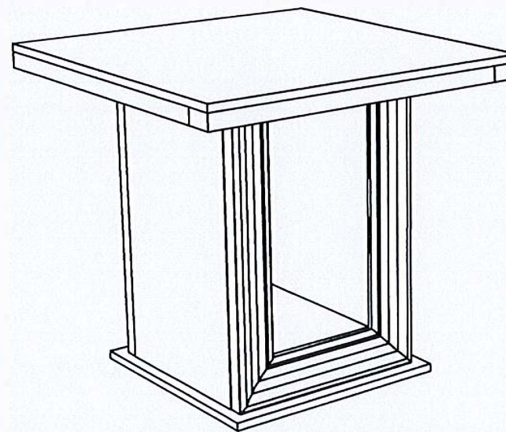
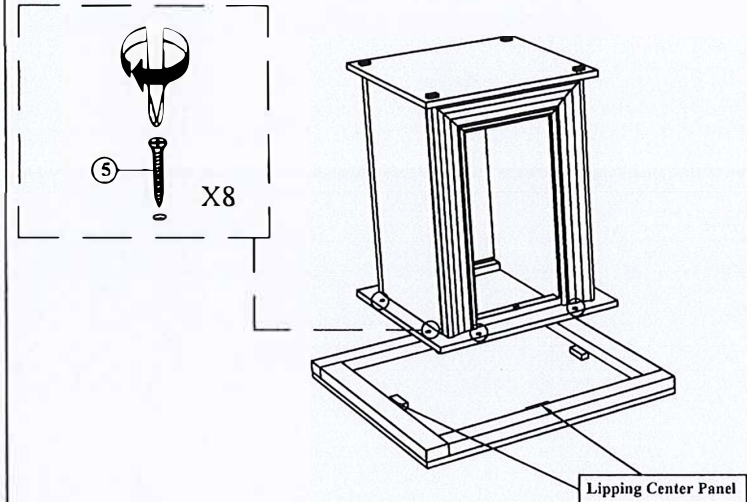
No	ITEM	Qty
1	Allen Key M1 X 65mm	1 pc
2	JCBC Bolt m6x10mm Blk	2 pcs
3	Spring Washer 1/4" Blk	2 pcs
4	Flat Washer 1/4"IDx13mmOD Blk	2 pcs
5	Flat Head Chipboard Screw m4x25mm Rbw	12 pcs

**STEP 1 :** Attach the Center Panel (B) on the Table Leg (C), use JCBC Bolt (2) ,Spring Washer (3) & Flat Washer (4) use an Allen Key (1) and Chipboard Screw (5) to fix.



**STEP 2 :**

Align and placing the Fixed Leg with Center panel to the bottom table top (A) UPSIDEDOWN position by following the lipping center panel as shown. Use Chipboard Screw (5) to fix.



**COMPLETED ASSEMBLY**

NOTE : MUST TIGHTEN SCREWS PERIODCALLY OR SCREWS WILL BECOME LOOSE.CHECK TIGHTNESS OF ALL SCREWS EVERY 6-8 WEEKS.

PAGE 1 OF