

ASSEMBLY INSTRUCTION

Description : QUEEN BED-HEADBOARD
-FOOTBOARD & SLATS
-SIDERAILS

Model : MARCO-QB-HB W/LED-QB-QB/KB-SR

Thank you for purchasing this quality product. Be sure to check all packing material carefully for small parts that may have come loose inside the carton during shipment.

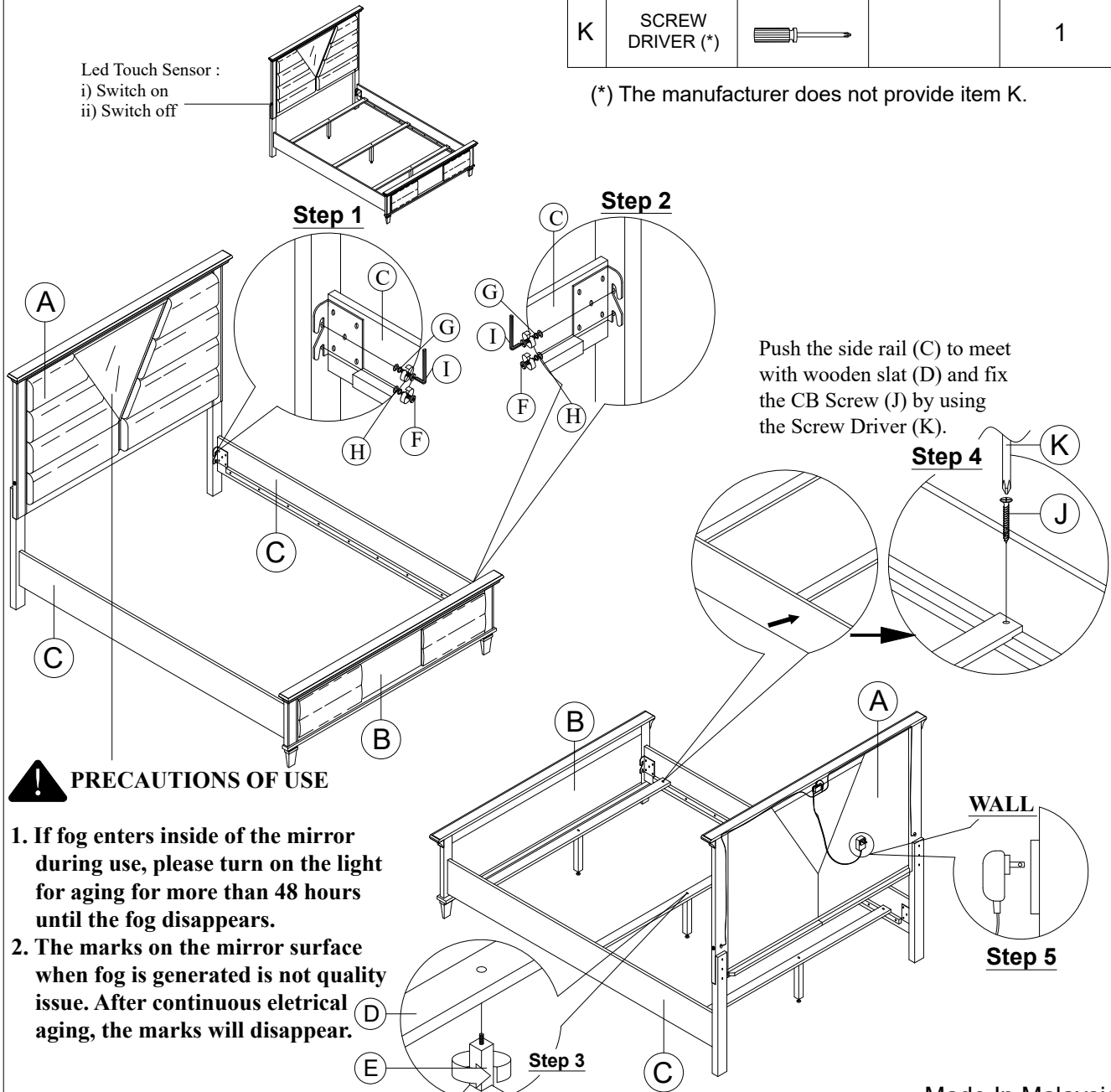
PART LIST :

HARDWARE LIST :

No.	Description	Diagram	Quantity	No.	Description	Diagram	Size	Quantity
A	UPH HEADBOARD WITH LED 3D MIRROR		1	F	JCBB SCREW		M8 x 25mm	8
B	UPH FOOTBOARD		1	G	SPRING WASHER		M8 x 15mm	8
C	SIDE RAIL LED WITH CONNECTOR		2	H	FLAT WASHER		M8 x 22mm	8
D	WOODEN SLAT		3	I	ALLEN KEY		M5	1
E	WOODEN SUPPORT		3	J	CB SCREW		M4 x 32mm	6
				K	SCREW DRIVER (*)			1

Led Touch Sensor :
i) Switch on
ii) Switch off

(*) The manufacturer does not provide item K.



Made In Malaysia

2344MW QUEEN BED

ASSEMBLY INSTRUCTION

Description : QUEEN BED-HEADBOARD
-FOOTBOARD & SLATS
-SIDERAILS

Model : MARCO-QB-HB W/LED-QB-QB/KB-SR

Thank you for purchasing this quality product. Be sure to check all packing material carefully for small parts that may have come loose inside the carton during shipment.

PART LIST :

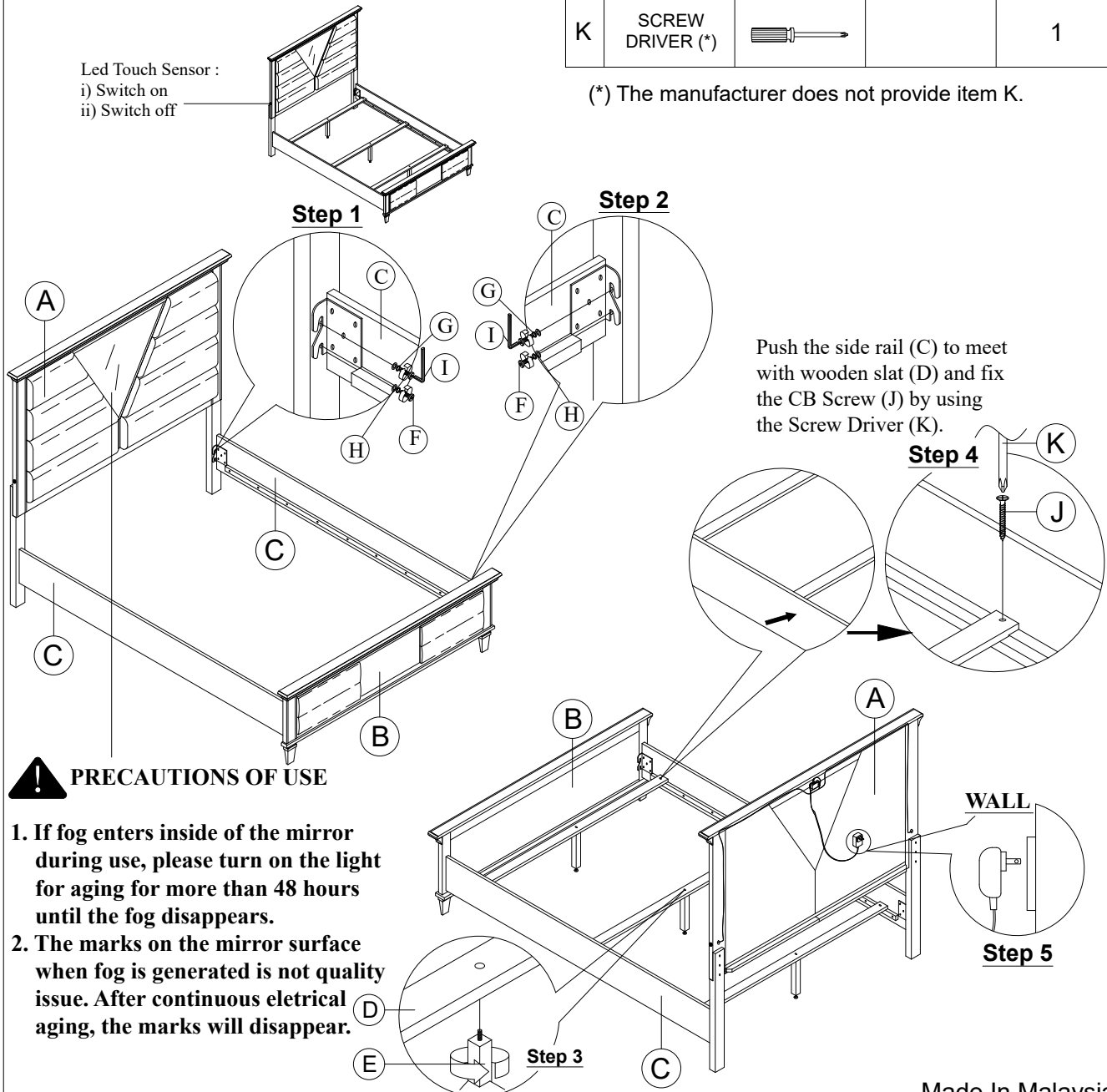
No.	Description	Diagram	Quantity
A	UPH HEADBOARD WITH LED 3D MIRROR		1
B	UPH FOOTBOARD		1
C	SIDE RAIL LED WITH CONNECTOR		2
D	WOODEN SLAT		3
E	WOODEN SUPPORT		3

HARDWARE LIST :

No.	Description	Diagram	Size	Quantity
F	JCBB SCREW		M8 x 25mm	8
G	SPRING WASHER		M8 x 15mm	8
H	FLAT WASHER		M8 x 22mm	8
I	ALLEN KEY		M5	1
J	CB SCREW		M4 x 32mm	6
K	SCREW DRIVER (*)			1

Led Touch Sensor :
i) Switch on
ii) Switch off

(*) The manufacturer does not provide item K.



Made In Malaysia

2344MW QUEEN BED