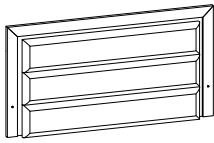
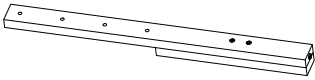
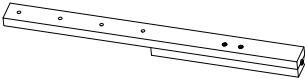
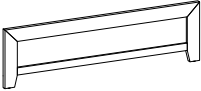
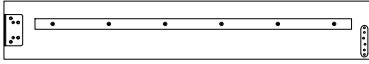
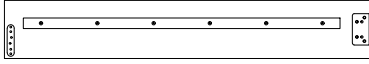

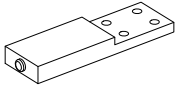
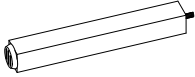
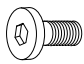
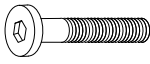
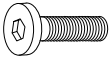

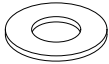





LUCCIA-WHITE-FBQB W-LED ASSEMBLY INSTRUCTION

PART LIST

A	HEADBOARD		1 PC
B	HEADBOARD LEG (R)		1 PC
C	HEADBOARD LEG (L)		1 PC
D	FOOTBOARD		1 PC
E	SIDERAIL (i)		2 PCS
F	SIDERAIL (ii)		2 PCS
G	SLAT		4 PCS
H	SIDERAIL SUPPORT LEG		2 PCS
I	SUPPORT LEG		4 PCS

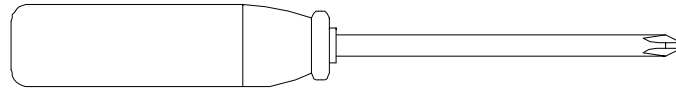
HARDWARE LIST

ITEM	DESCRIPTION	DRAWING	QTY
1	JCBB SCREW M8 x 16MM		8 PCS
2	JCBB SCREW M8 x 35MM		8 PCS
3	JCBB SCREW M8 x 25MM		8 PCS
4	SPRING WASHER M8 x 14MM		16 PCS
5	FLAT WASHER M8 x 22MM		16 PCS
6	SCREW M4 x 32MM		8 PCS
7	ALLEN KEY M5		1 PC
8	PLUG WITH CONNECTOR WIRE		1 PC

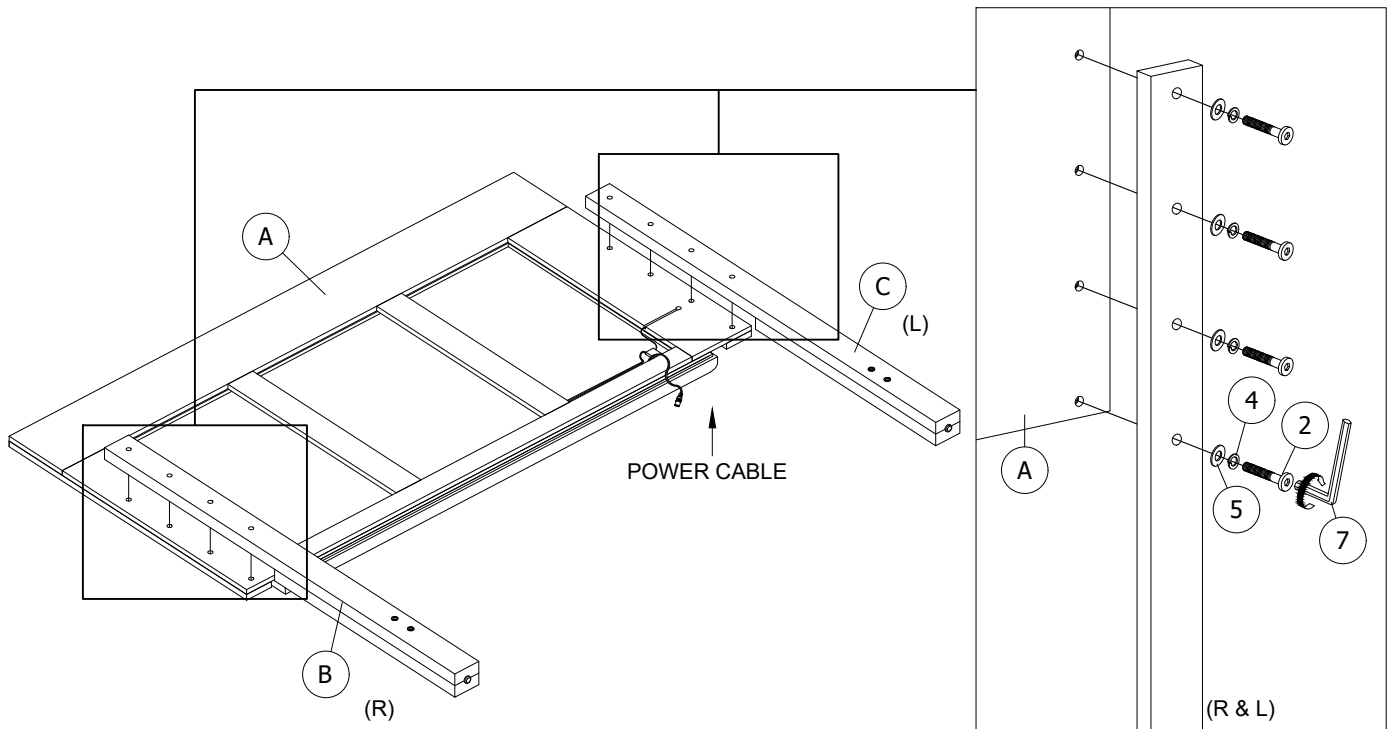
LUCCIA-WHITE-FBQB W-LED ASSEMBLY INSTRUCTION

ASSEMBLY TOOLS REQUIRED

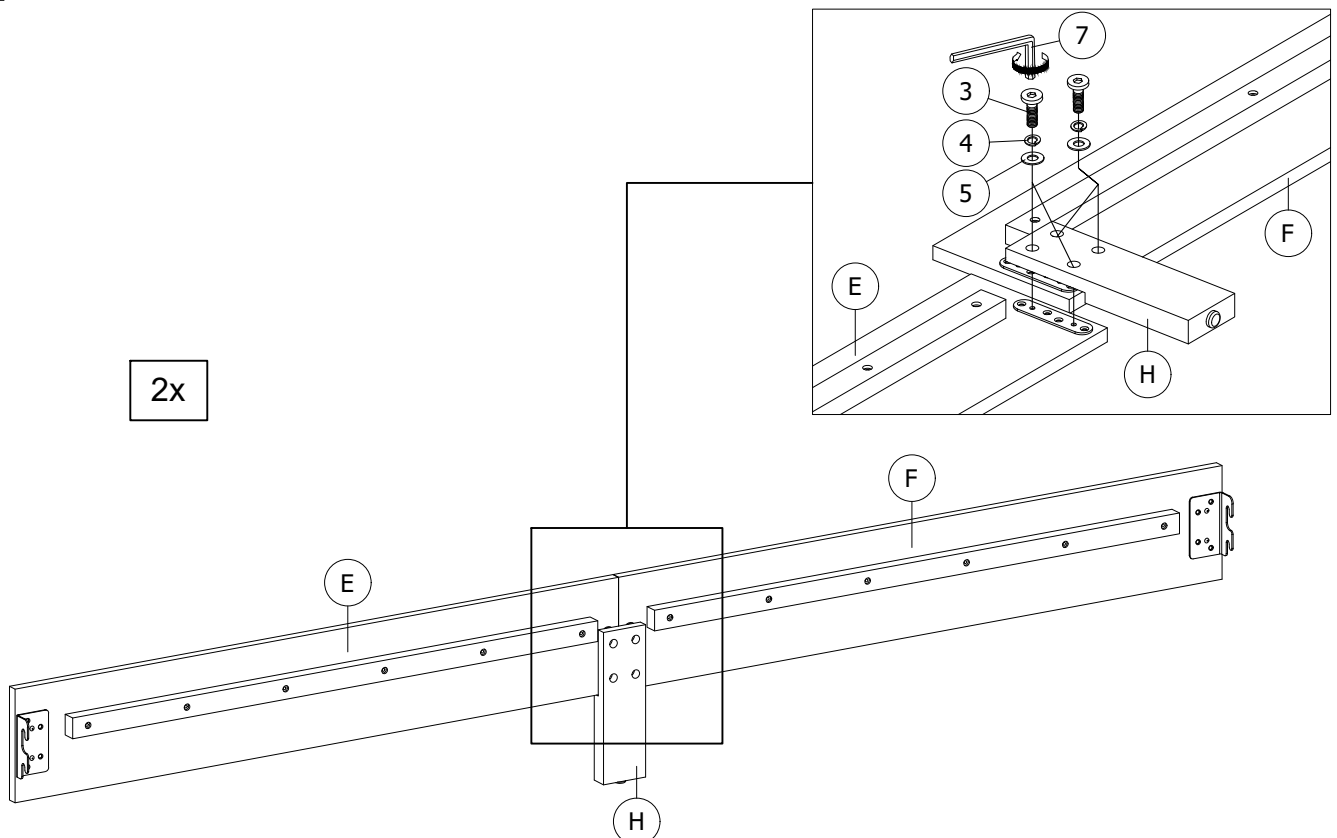
1. Screwdriver (not provide)



STEP 1

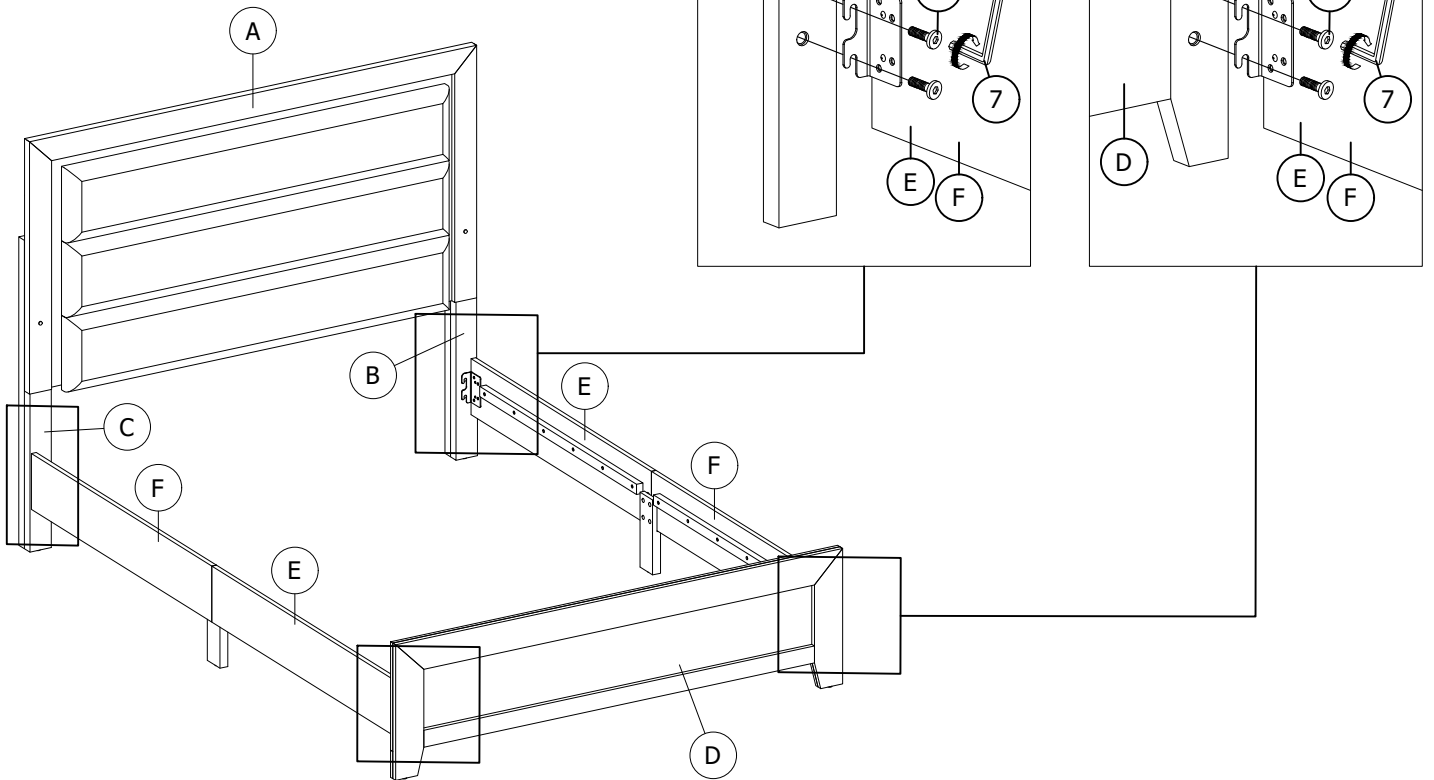


STEP 2

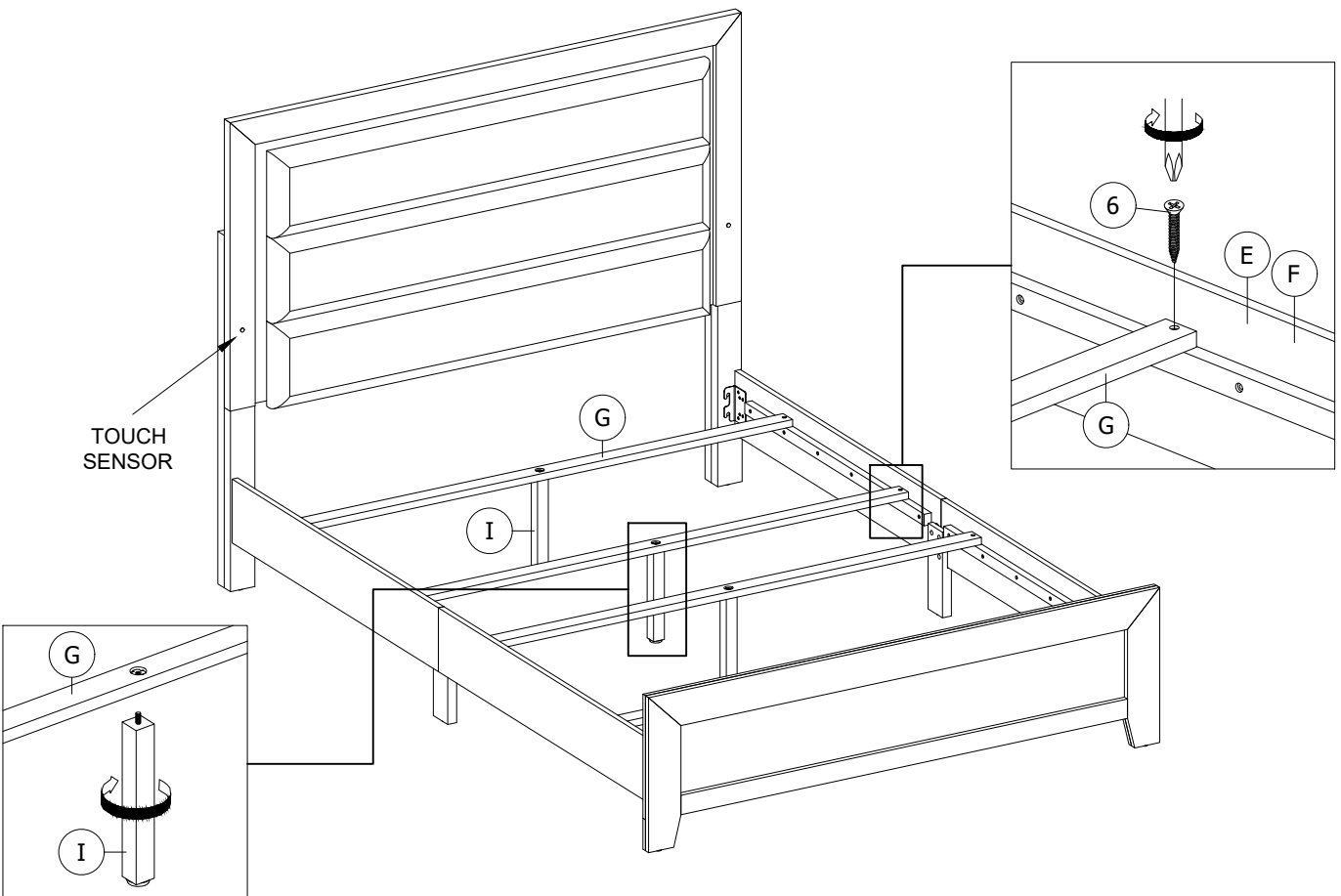


LUCCIA-WHITE-FBQB W-LED ASSEMBLY INSTRUCTION

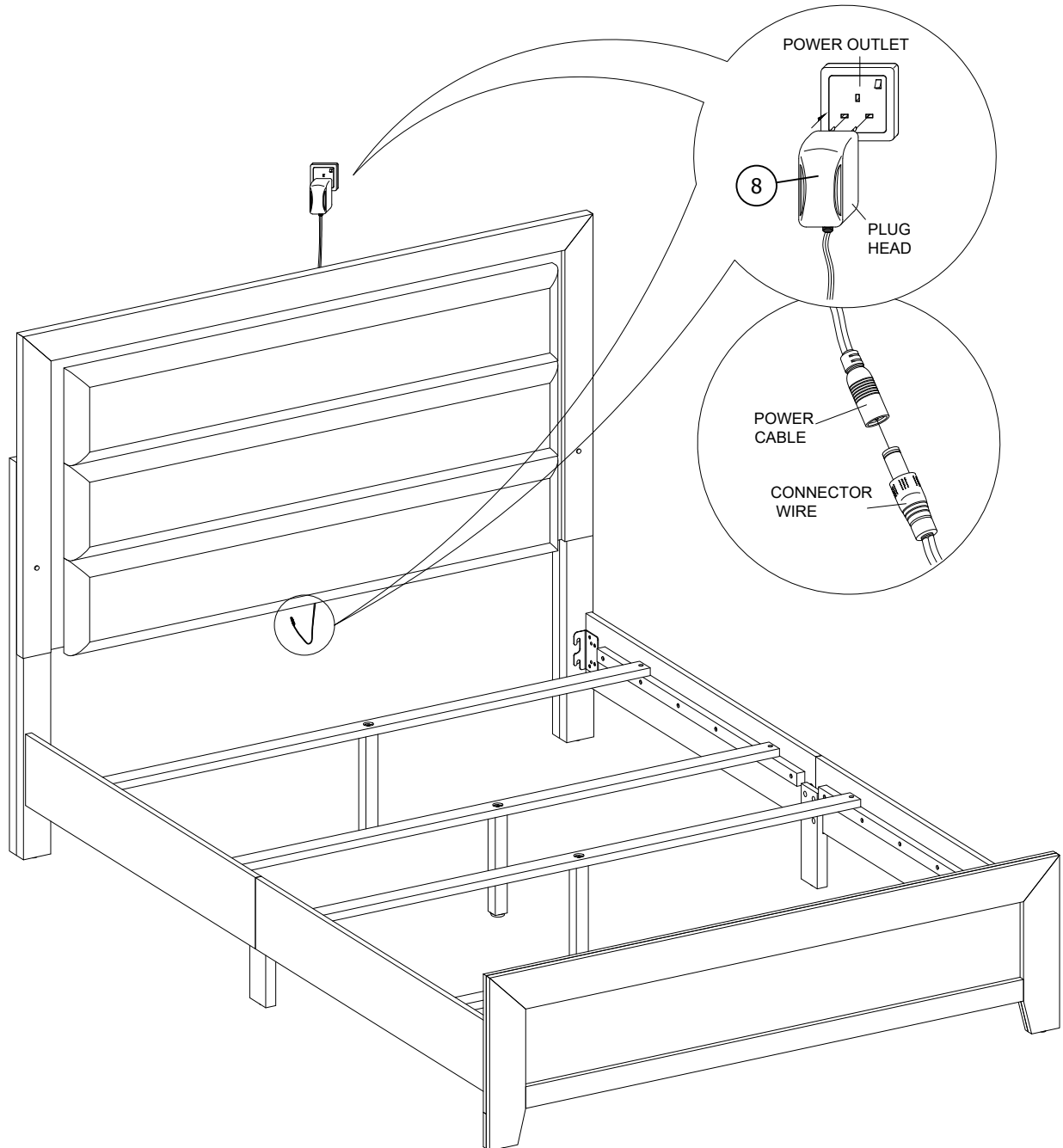
STEP 3



STEP 4



LUCCIA-WHITE-FBQB W-LED ASSEMBLY INSTRUCTION



ASSEMBLY COMPLETED