

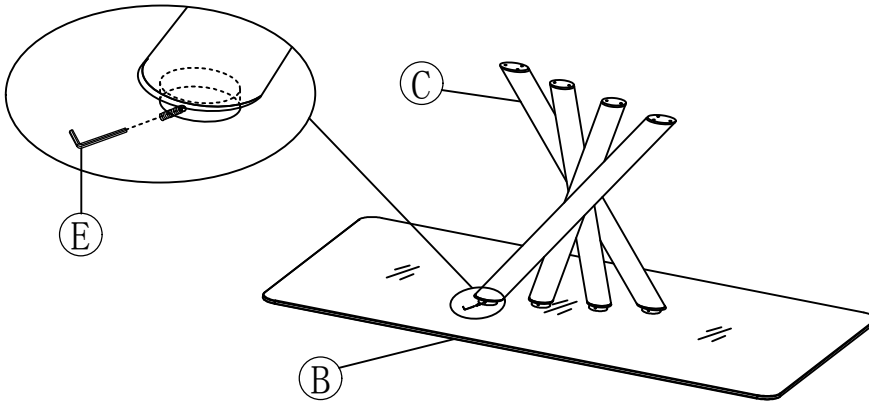
# ASSEMBLY INSTRUCTION

Model : D90032DT

Description : DINING TABLE

Thank you for purchasing this quality product. Be sure to check all packing material carefully for small parts that may have come loose inside the carton during shipment.

Step 1:



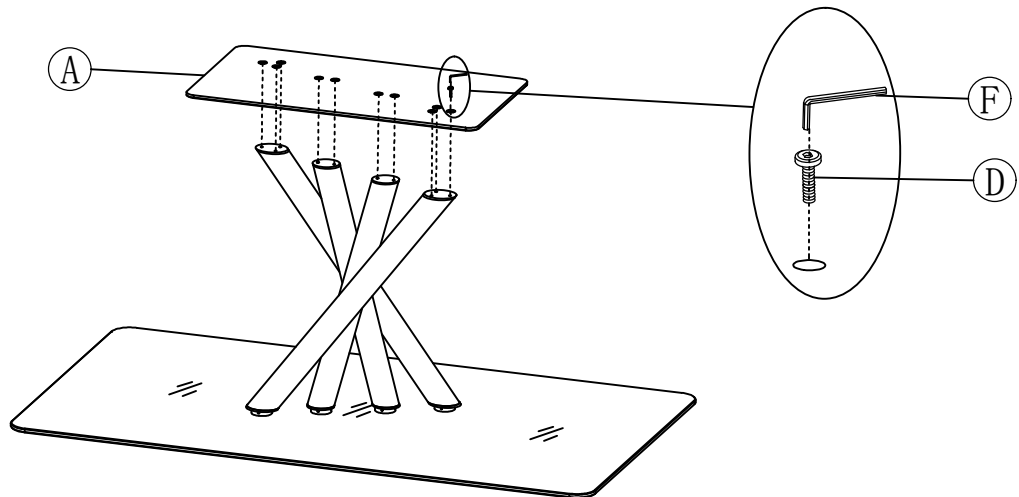
**PART LIST :**

No.	Description	Diagram	Quantity
A	Table base		1
B	Table glass top		1
C	Table column		1

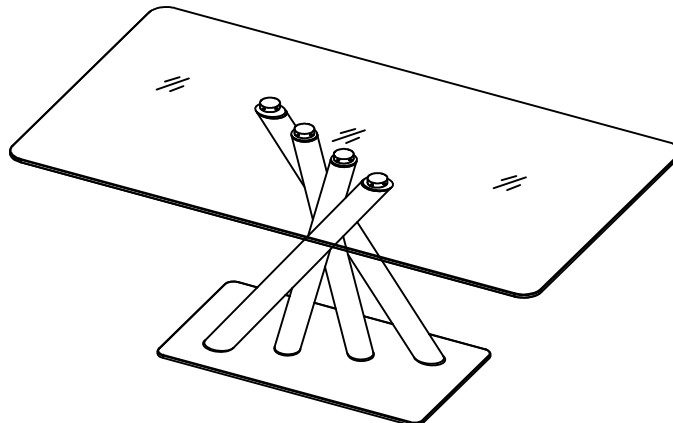
**HARDWARE LIST :**

No.	Description	Diagram	Size	Quantity
D	Bolt		M8 x 25mm	10
E	Allen key		M3	1
F	Allen key		M5	1

Step 2:



Finished



Made In China