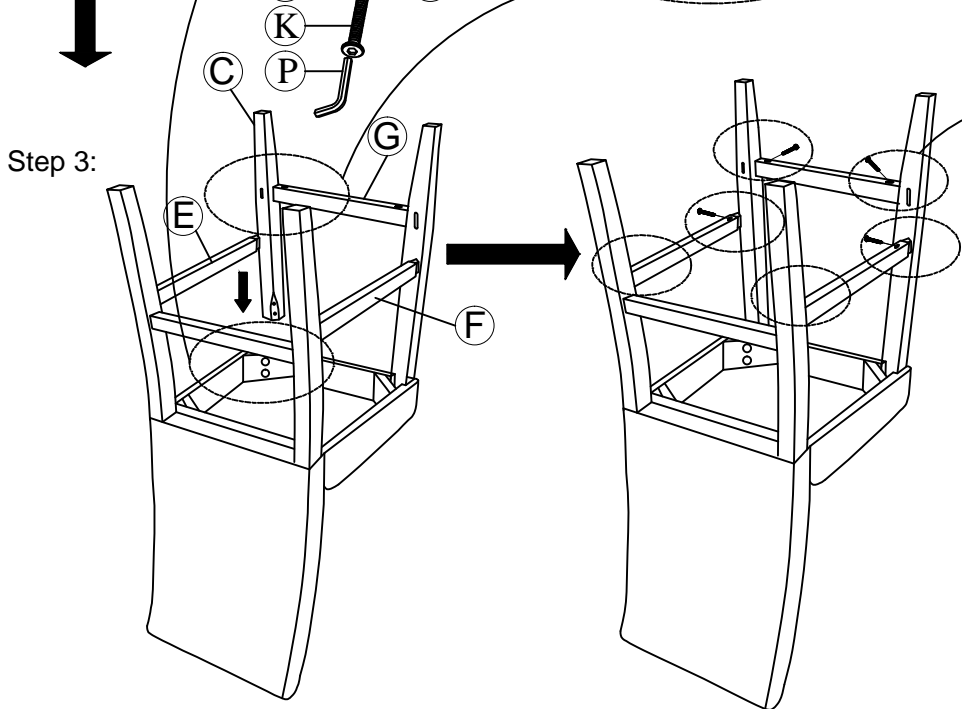
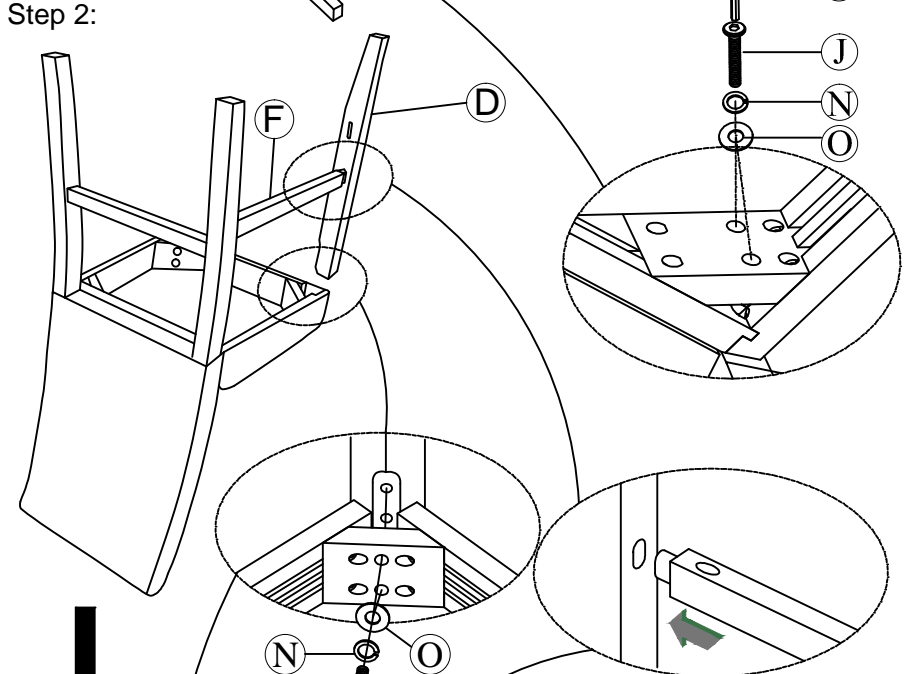
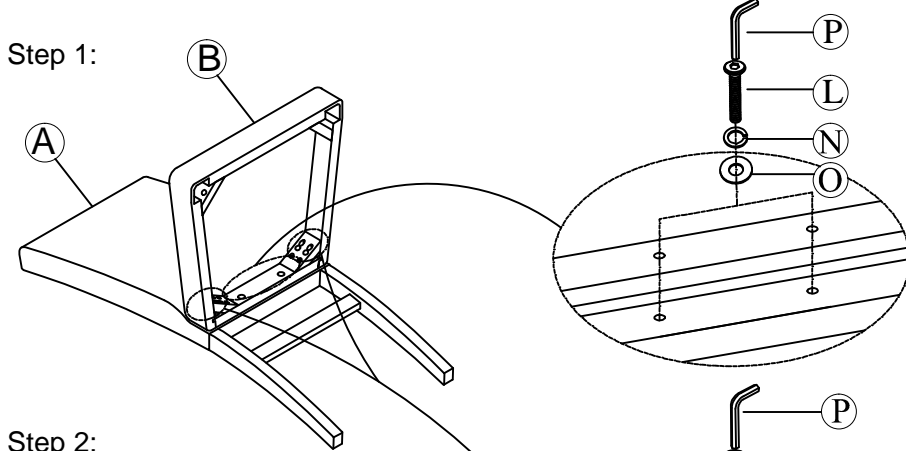


ASSEMBLY INSTRUCTION

Model : D4052BT+ 4BS

Description : Bar Set

Thank you for purchasing this quality product. Be sure to check all packing material carefully for small parts that may have come loose inside the carton during shipment.

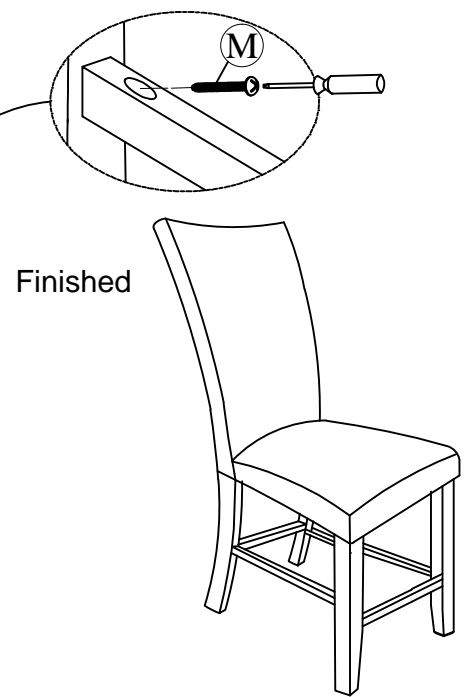


PART LIST:

| No. | Description | Diagram | Quantity |
|-----|-----------------|---------|----------|
| A | Chair Back | | 1 |
| B | Seat Cushion | | 1 |
| C | Chair Left Leg | | 1 |
| D | Chair Right Leg | | 1 |
| E | Left Stretcher | | 1 |
| F | Right Stretcher | | 1 |
| G | Front Stretcher | | 1 |
| H | Table Top | | 1 |
| I | Table Legs | | 4 |

HARDWARE LIST:

| No. | Description | Diagram | size | Quantity |
|-----|-------------|---------|-----------------|----------|
| J | Bolt | | Ø5/16" x 3-1/4" | 16 |
| K | Bolt | | Ø5/16" x 2-1/4" | 24 |
| L | Bolt | | Ø5/16" x 1-3/4" | 8 |
| M | Screw | | 35mm | 24 |
| N | Lock Washer | | Ø5/16" | 48 |
| O | Flat Washer | | Ø5/16" | 48 |
| P | Allen Key | | M5 | 5 |



Made in Viet Nam

ASSEMBLY INSTRUCTION

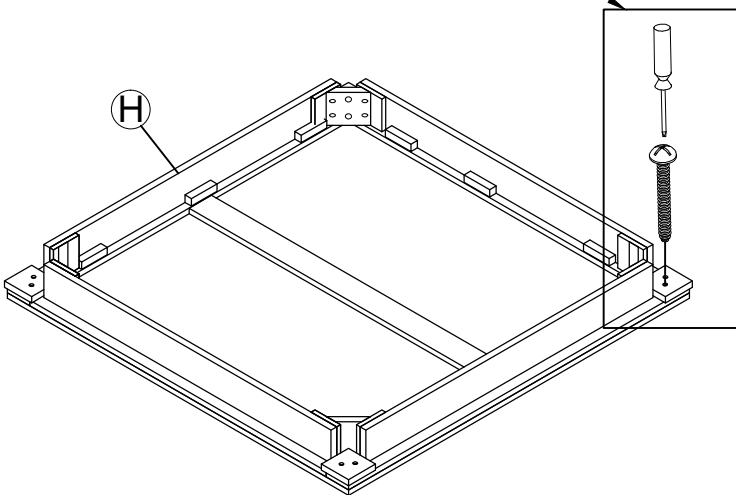
Model : D4052BT+ 4BS

Description : Bar Set

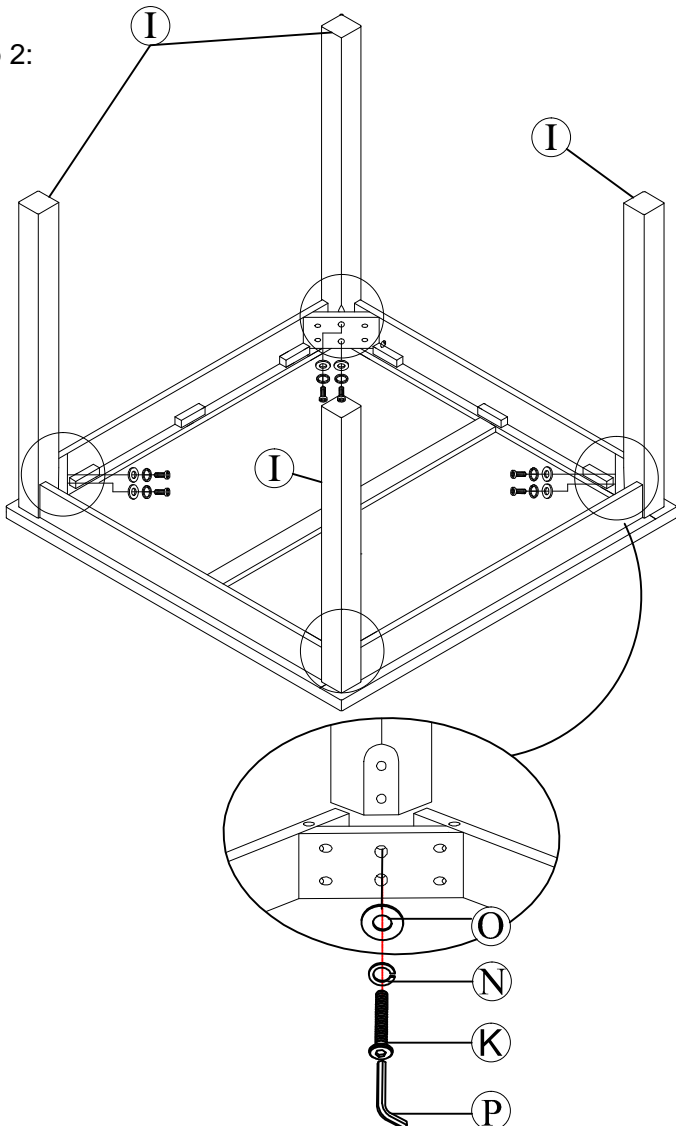
Thank you for purchasing this quality product. Be sure to check all packing material carefully for small parts that may have come loose inside the carton during shipment.

Step 1:

" Move out the corner wood block and discard the wood block and bolts"



Step 2:



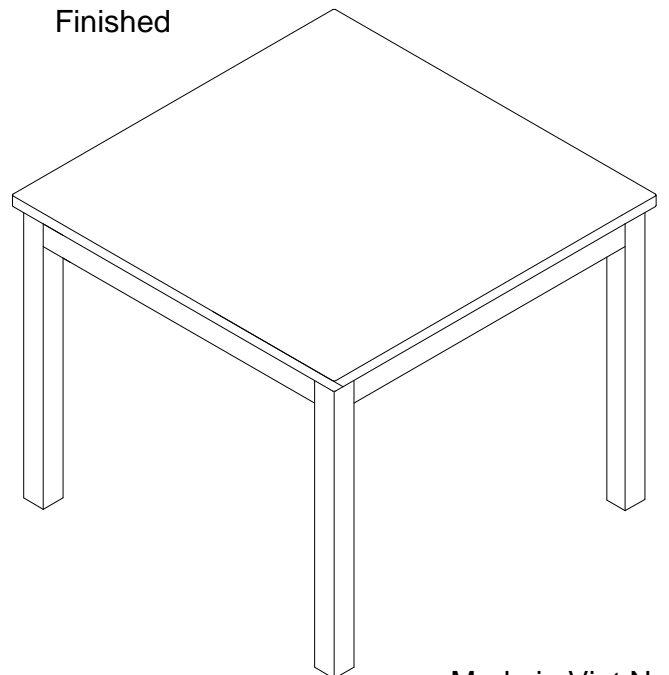
PART LIST:

| No. | Description | Diagram | Quantity |
|-----|-----------------|---------|----------|
| A | Chair Back | | 1 |
| B | Seat Cushion | | 1 |
| C | Chair Left Leg | | 1 |
| D | Chair Right Leg | | 1 |
| E | Left Stretcher | | 1 |
| F | Right Stretcher | | 1 |
| G | Front Stretcher | | 1 |
| H | Table Top | | 1 |
| I | Table Legs | | 4 |

HARDWARE LIST:

| No. | Description | Diagram | size | Quantity |
|-----|-------------|---------|-----------------|----------|
| J | Bolt | | Ø5/16" x 3-1/4" | 16 |
| K | Bolt | | Ø5/16" x 2-1/4" | 24 |
| L | Bolt | | Ø5/16" x 1-3/4" | 8 |
| M | Screw | | 35MM | 24 |
| N | Lock Washer | | Ø5/16" | 48 |
| O | Flat Washer | | Ø5/16" | 48 |
| P | Allen Key | | M5 | 5 |

Finished



Made in Viet Nam