

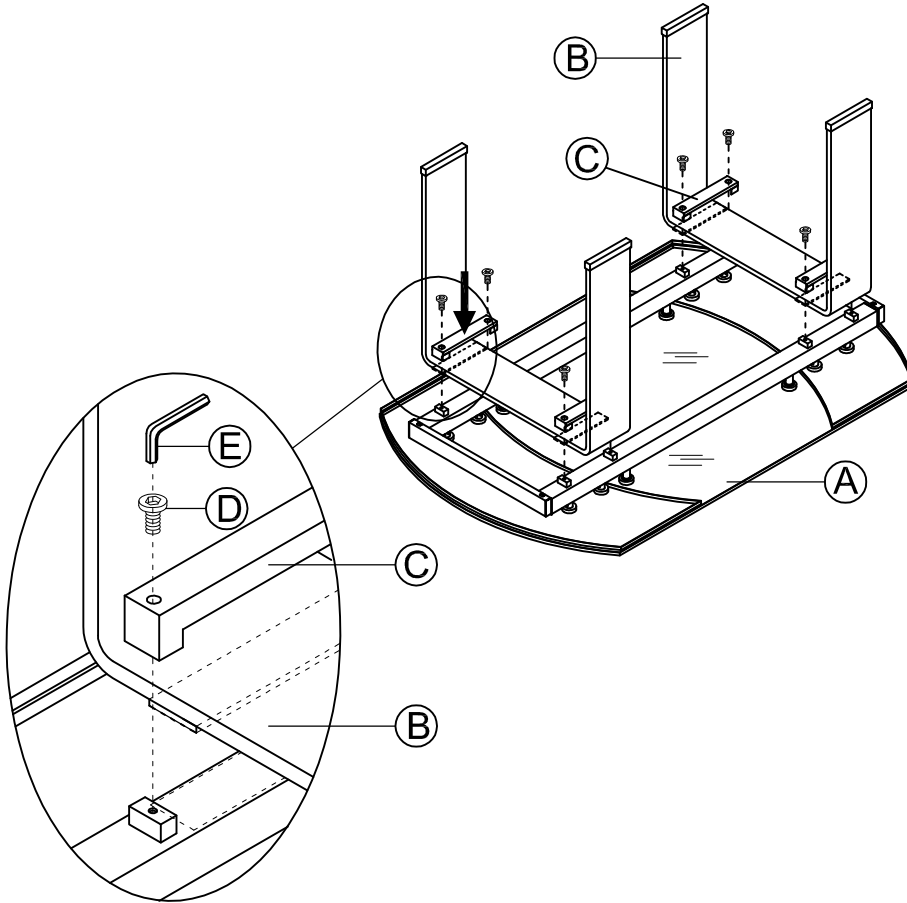
ASSEMBLY INSTRUCTION

Model : D2160DT

Description : DINING TABLE

Thank you for purchasing this quality product. Be sure to check all packing material carefully for small parts that may have come loose inside the carton during shipment.

Step 1:



PART LIST :

No.	Description	Diagram	Quantity
A	Table Top		1
B	Table Leg		2
C	Table support		4

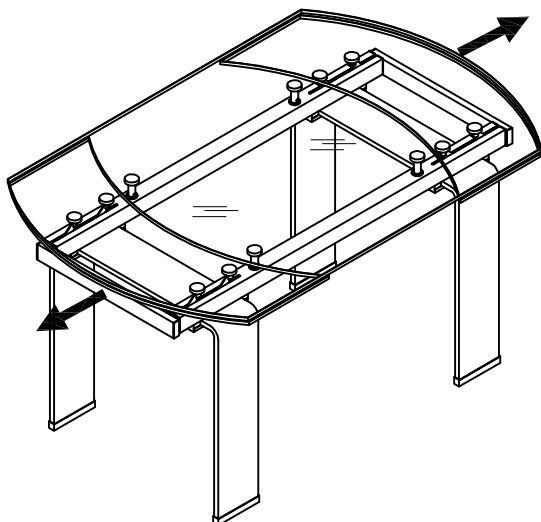
HARDWARE LIST :

No.	Description	Diagram	Size	Quantity
D	Bolt		M8 x 12mm	8
E	Allen key		M5	1
F	Allen key		M3	1

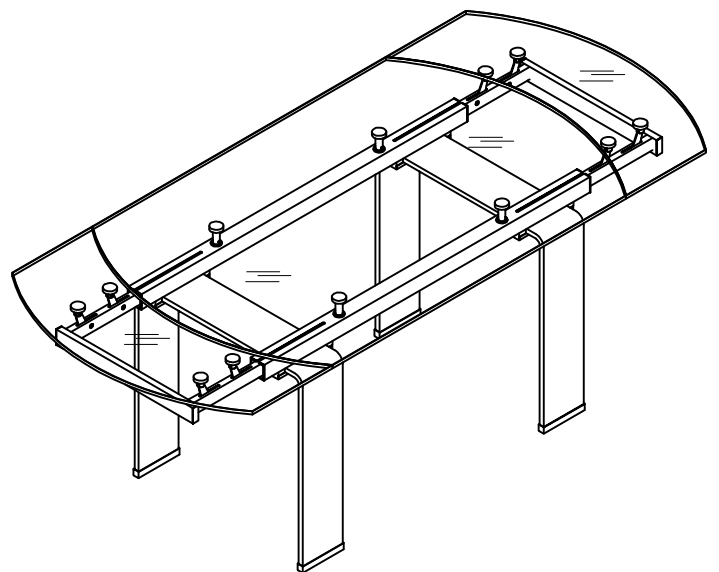
Note:

Please DO NOT tighten all of the bolts until the table leg is aligned to the table top.

Step 2:

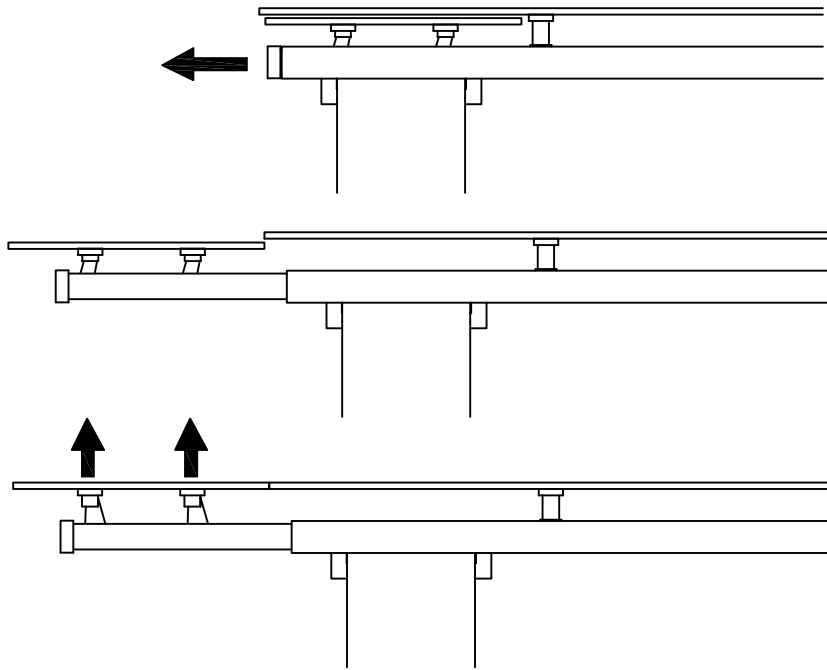


Finished



Made In China

Solution 1 :



Solution 2 :

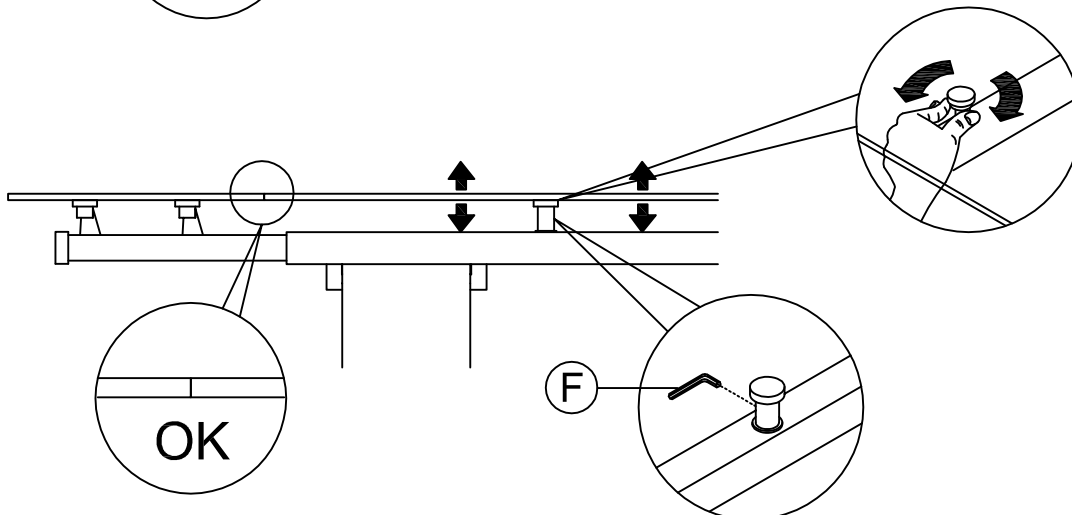
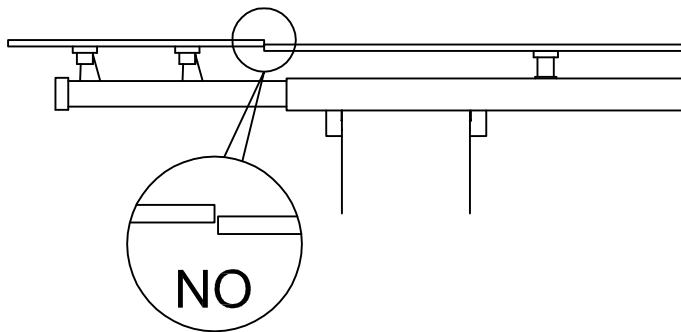
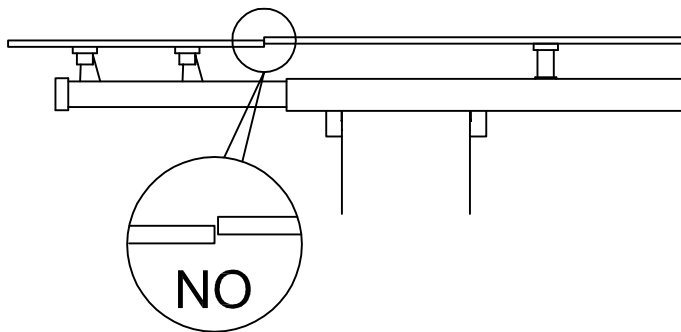


Table Top Levelling Method :

1. Loosening the screw of glass top support shaft underneath of the Glass Top A by Allen Key F.
2. Twist the middle glass top support shaft clockwise / counter-clockwise until the both side and center glass top are in same level or flat.
3. Tighten the screw and complete the levelling.

Note :

- (a) Clockwise twisting the shaft to lowering the middle glass top.
- (b) Counter-clockwise twisting the shaft to rise the middle glass top.