

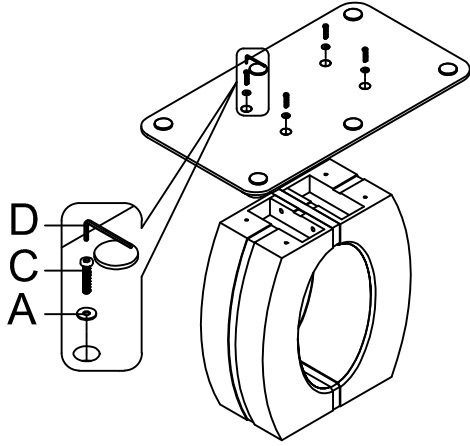
ASSEMBLY INSTRUCTION

Model:D894DT

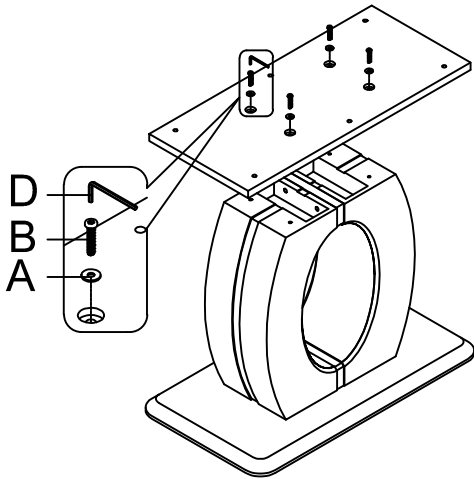
Description:[Dining Table]

Thank you for purchasing this quality product.Be sure to check all packing material carefully for small parts that may have come loose inside the carton during shipment

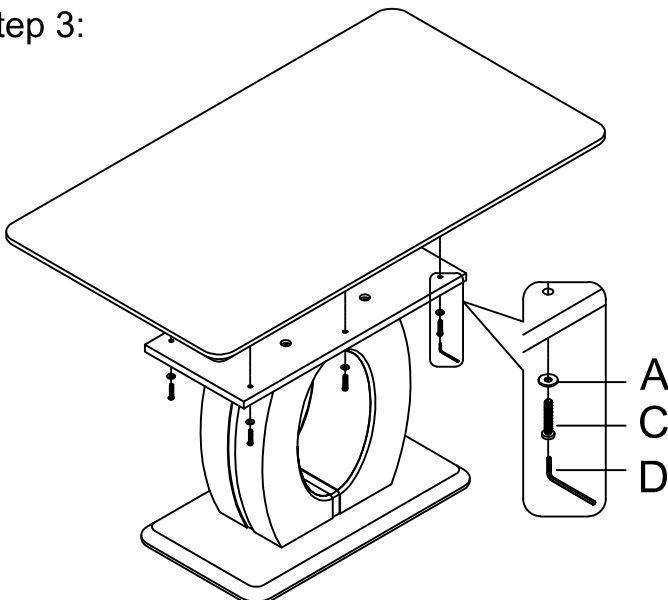
Step 1:



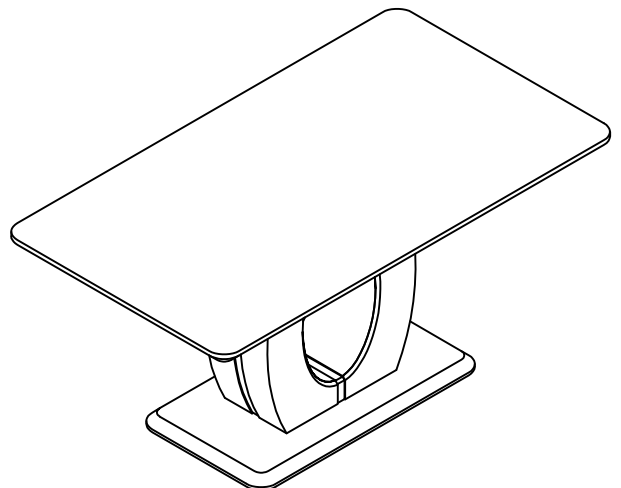
Step 2:



Step 3:



Finished



PART LIST:

No.	Description	Diagram	Quantity
E	MDF Top		1
F	Support		1
G	Table Leg		1
H	BASE		1

HARDWARE LIST:

No.	Description	Diagram	Size	Quantity
A	Flat washer		φ22*1.5mm	14
B	Bolt		M8*40mm	4
C	Bolt		M8*50mm	10
D	Allen key		M8	1

Note:

(1) Straight Allen Key(A) is for use with a power drill

Made In China