

# ASSEMBLY INSTRUCTION



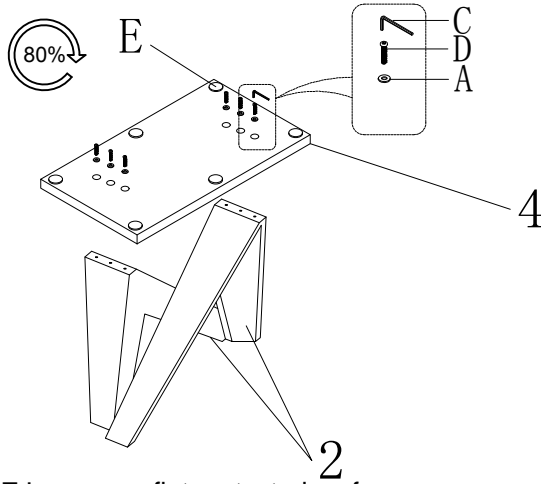
(2 people at least for assembling)

Model:D844DT

Description:Dining Table

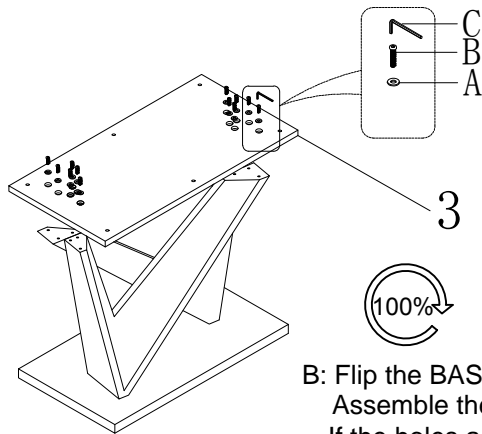
Thank you for purchasing this quality product. Be sure to check all packing material carefully for small parts that may have come loose inside the carton during shipment

Step 1:



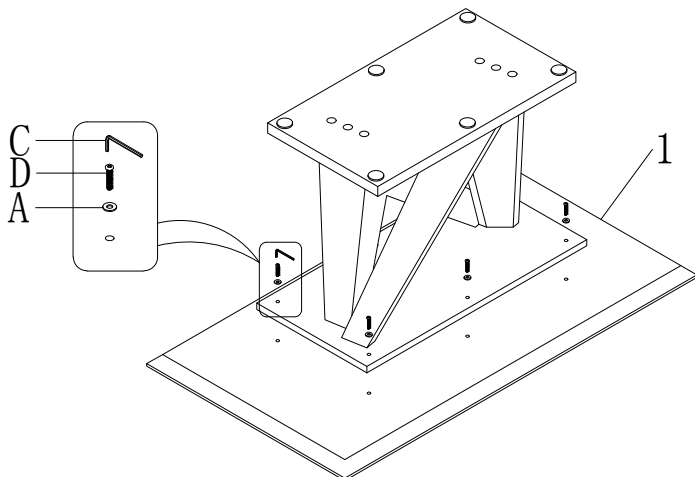
A: Place the 2 MDF legs on a flat protected surface.  
The positioning of the 2 MDF legs should be the same as shown in the diagram. When assembling the BASE together with the MDF legs, do not fully tighten the screws.  
Only tighten to 80% as this is important for correct alignment in STEP 2.

Step 2:



B: Flip the BASE and 2 MDF legs over as shown in the diagram.  
Assemble the CONNECTION PLATE to the 2 MDF legs.  
If the holes are not aligned, adjust the 2 MDF legs or the BASE gently.  
Once all holes are aligned you can tighten all the screws to 100% in this STEP and STEP 1.

Step 3:



C: Place the MDF top on a flat protected surface with the bottom of the top facing up.  
Screw in the assembled 2 MDF legs/BASE/CONNECTION PLATE to the top.  
Tighten the connection plate 100% to the top.

## PART LIST:

No.	Description	Diagram	Quantity
1	MDF top		1
2	MDF legs		2
3	Connection plate		1
4	Base		1

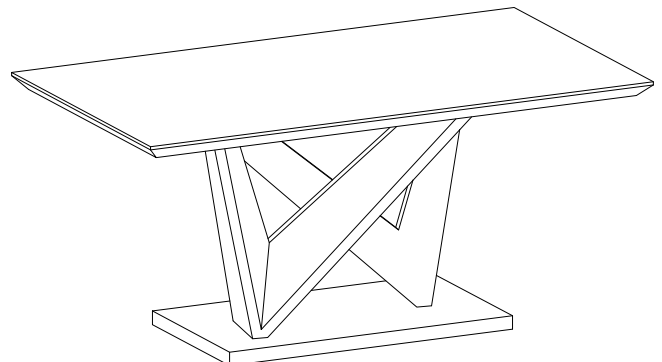
## HARDWARE LIST:

No.	Description	Diagram	Size	Quantity
A	Flat washer		ø21*9mm	24
B	Bolt		M8*35mm	12
C	Allen key		M5	1
D	Bolt		M8*45mm	12

## PREFIX HARDWARE LIST

E	CAPS		ø50*25mm	6
---	------	--	----------	---

Finished



Made in China