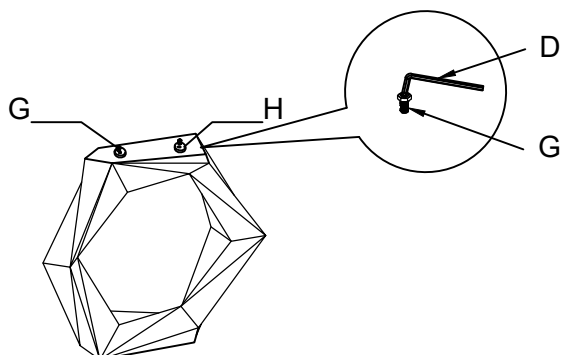


# ASSEMBLY INSTRUCTION

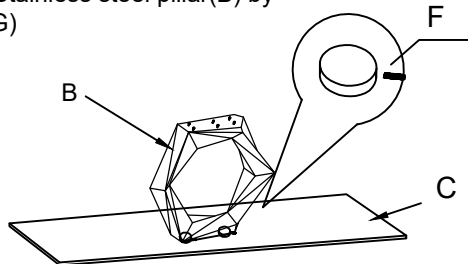
Model: T1675CNS

Product name: Console table

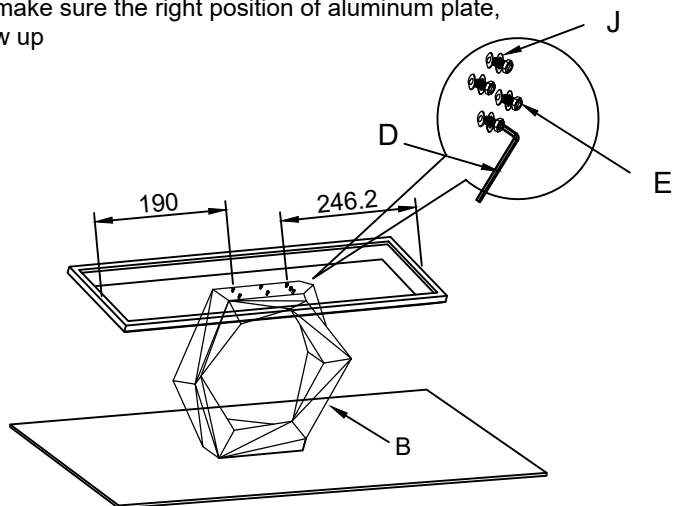
Thank you for purchasing this quality product, be sure to check all the packing materials carefully. When you received, please pay attention to the products, which may cause deformed during the shipment.



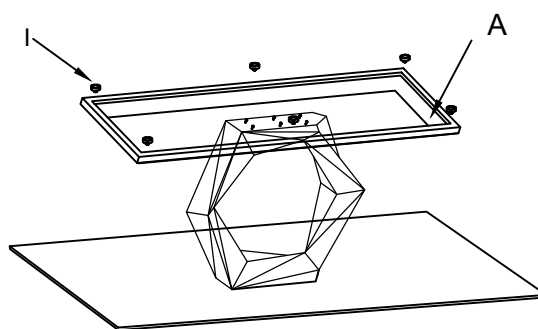
Step1: Put the Aluminum cake(H) on the Stainless steel pillar(B) by screw(G)



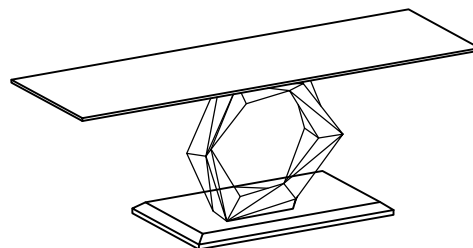
Step2: Put the stainless steel base (A) on the table top (C), make sure the right position of aluminum plate, screw up



Step 3: Turn over, use screw (E) connect the stainless steel base (B) with the stainless steel base (A) by Allen key (D).



Step4: Fit the adjust legs (I) to bottom base



Finished

## PART LIST

NO.	Designation	Quantity	Diagram
A	Stainless steel base	1	
B	Stainless steel pillar	1	
C	Table top	1	

## HARDWARE LIST located in carton 3 of 3 T1675CNS-B

NO.	Designation	Quantity	Size	Diagram
D	Allen key	3	M3 M6 M5	
E	Screw	7	M8*20	
F	Screw	6	M6*10	
G	Screw	2	M8*16	
H	Aluminum Cake	2	Dia70	
I	Adjust leg	6	Dia20	
J	Washer	7	Dia20	

MADE IN CHINA