

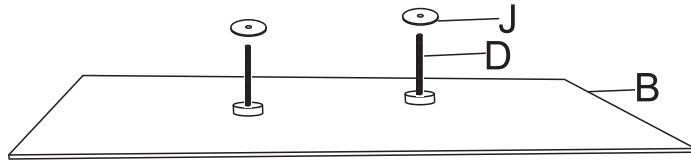
# ASSEMBLY INSTRUCTION

Model : T2207CT

Description : Coffee Table

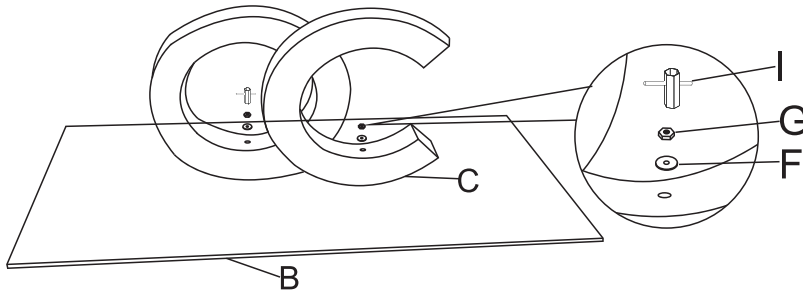
Thank you for purchasing this quality product. Be sure to check all packing material carefully for small parts that may have come loose inside the carton during shipment.

## Step 1:



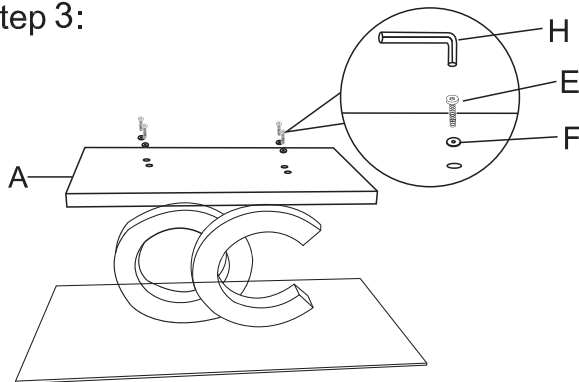
Firstly, fix the table glass top with stud.(D)

## Step 2:



Assemble table leg with lead stud.(G)

## Step 3:



Assemble table base with table leg.(E)

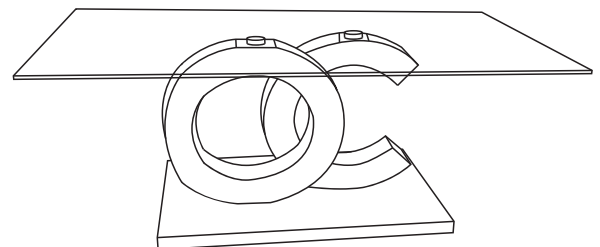
### PART LIST :

No.	Description	Diagram	Quantity
A	Table base		1
B	Table glass top		1
C	Table leg		1

### HARDWARE LIST :

No.	Description	Diagram	Size	Quantity
D	Stud		M8X60mm	2
E	Bolt		M8X50mm	4
F	Flat washer		Ø8x18x1.5mm	6
G	Nut		M8	2
H	Allen key		M5	1
I	Socket Spanner		M8	1
J	Plastic washer		M8	2

## Finished



Made In China