

ASSEMBLY INSTRUCTIONS

DESCRIPTION : TIFFANY-SILVER-KB-HB /
TIFFANY-SILVER-QB-HB / TIFFANY-SILVER-FB-HB

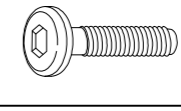
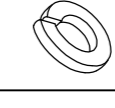
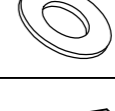

MODEL : FBKHBR-198A /
FBQHBR-198A /
FBFHBR-198A

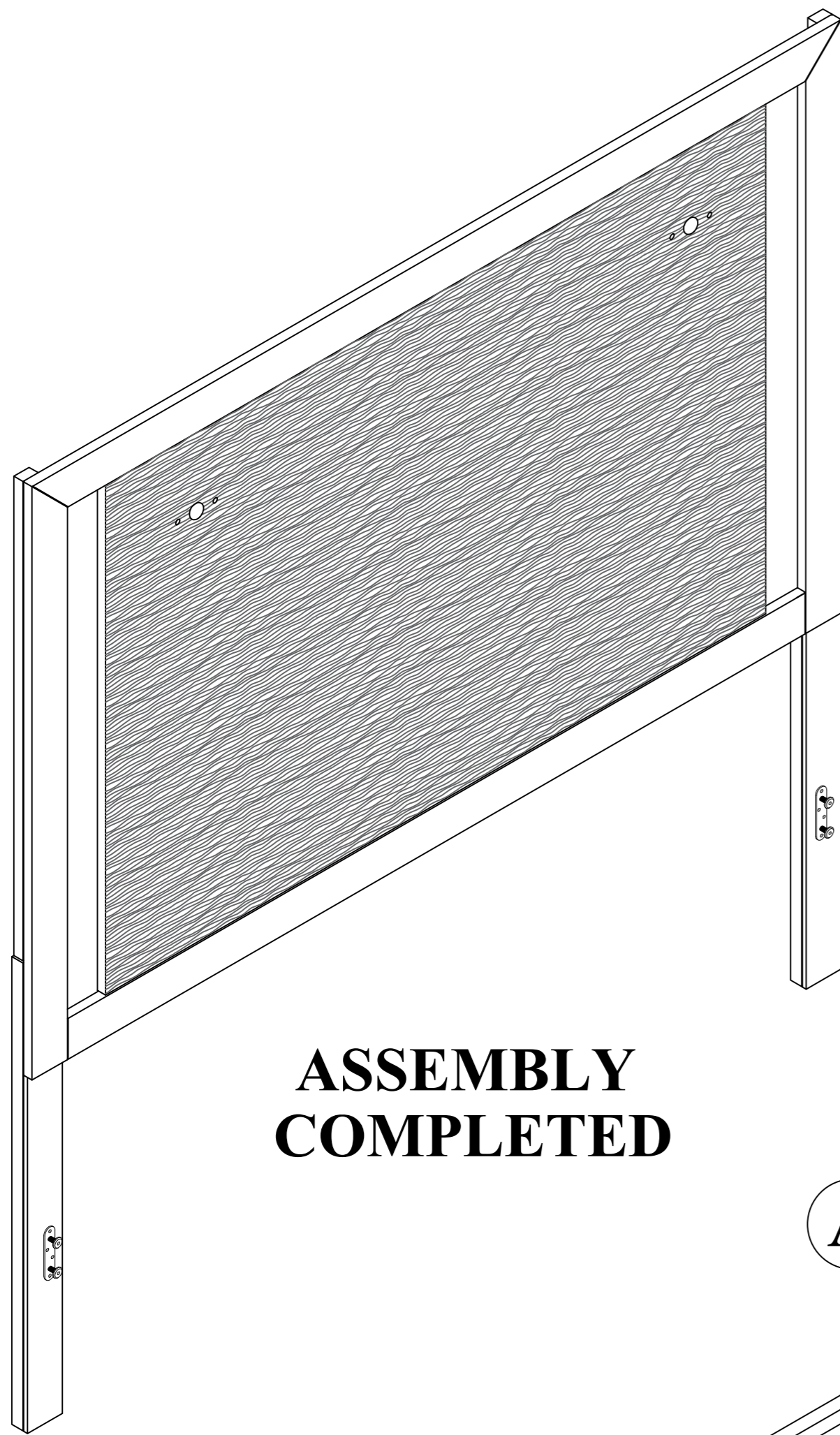
NOTE :

MUST TIGHTEN SCREWS PERIODICALLY WITH USE SCREW WILL
BECOME LOOSE. CHECK TIGHTNESS OF ALL SCREW EVERY 6-8 WEEKS.

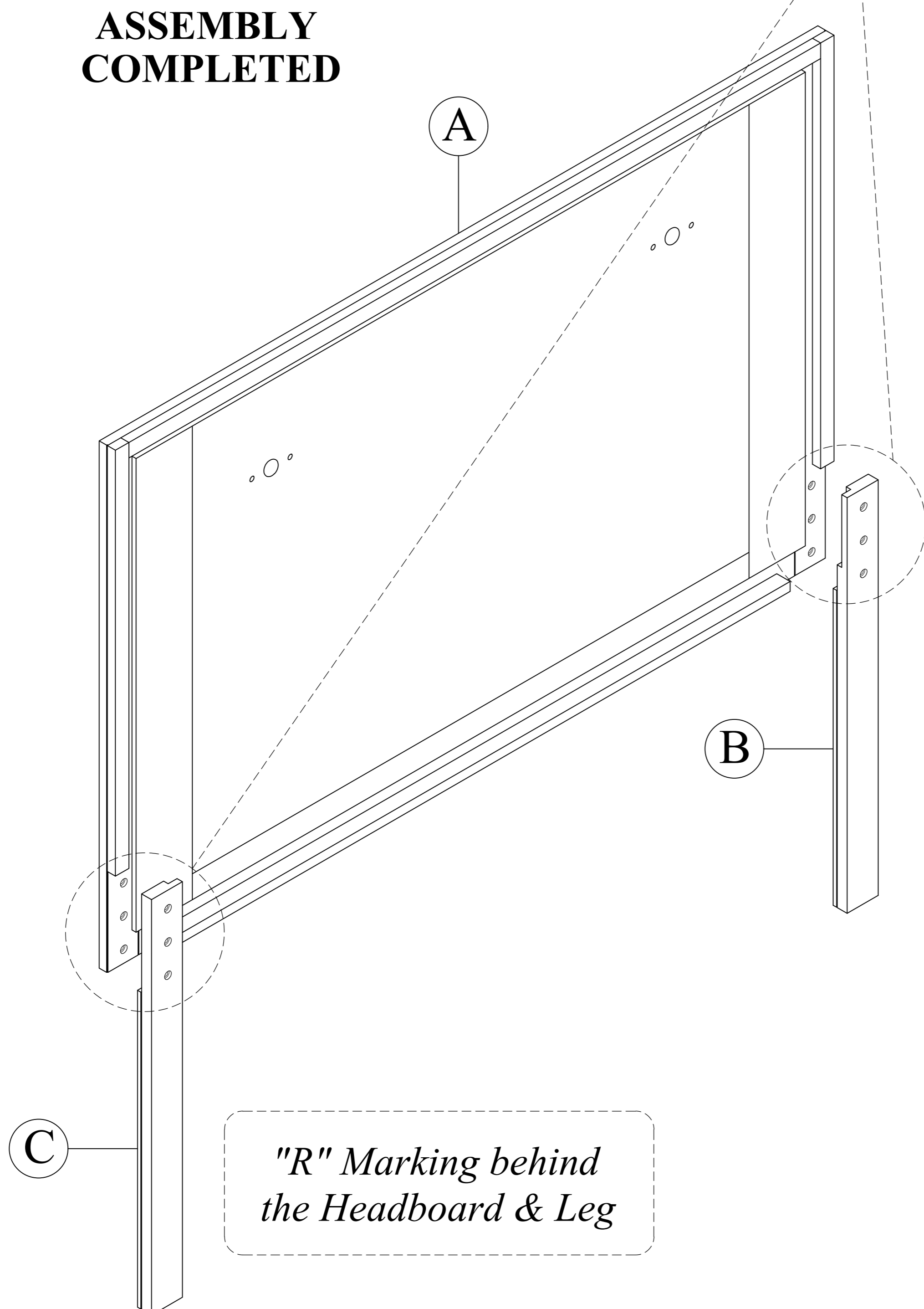
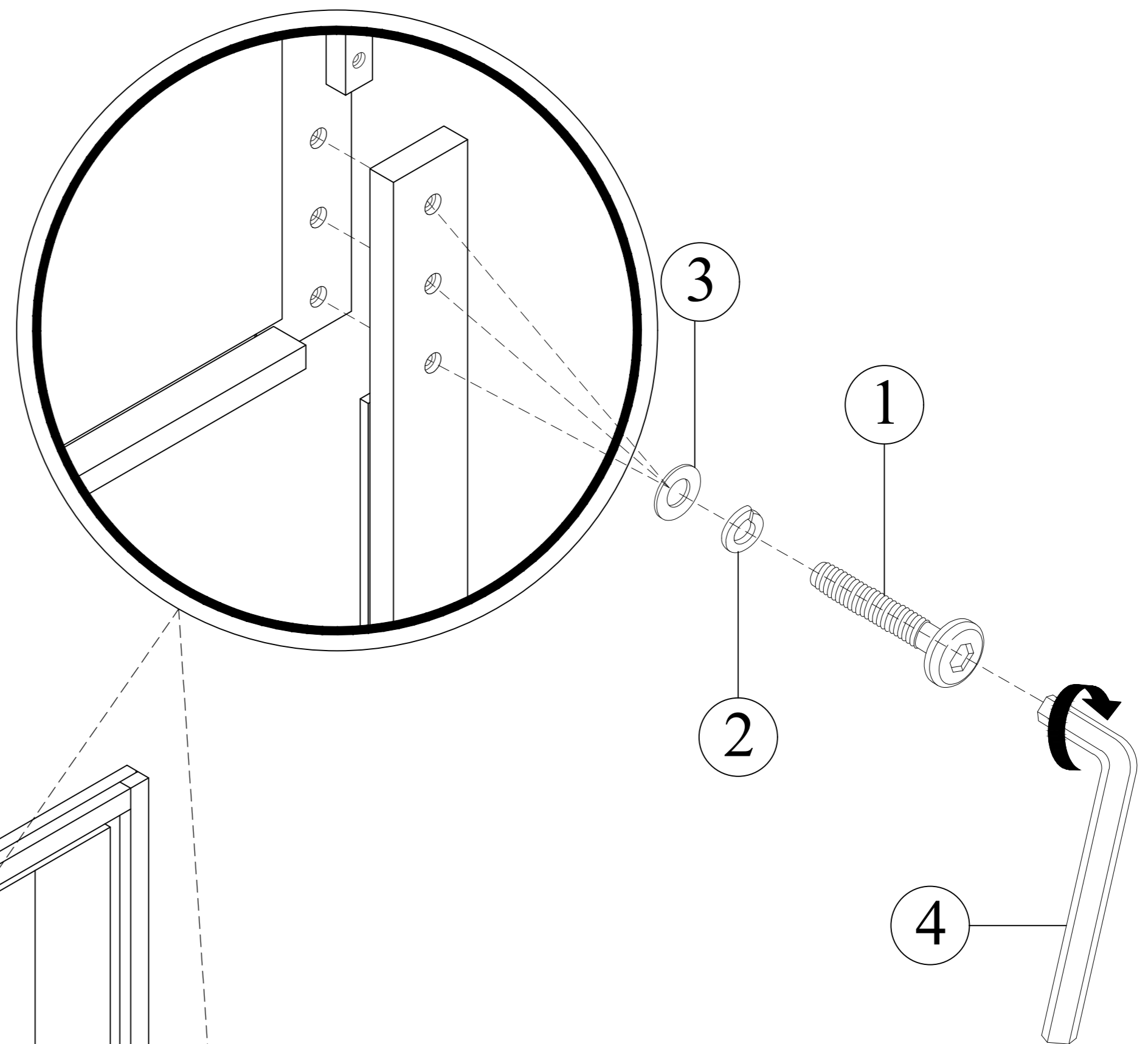
REVISION : A

Component List		
Headboard		
No	Descriptions	Qty
A	Headboard Panel	1
B	Headboard Leg (L)	1
C	Headboard Leg (R)	1

Hardware List In Headboard			
No	Descriptions		Qty
1	JCBC Screw M6 x 30mm		6
2	Spring Washer Ø1/4"		6
3	Flat Washer Ø1/4" x 13mm		6
4	L Key M4		1



**ASSEMBLY
COMPLETED**



*"L" Marking behind
the Headboard & Leg*

*"R" Marking behind
the Headboard & Leg*