
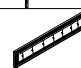




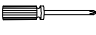


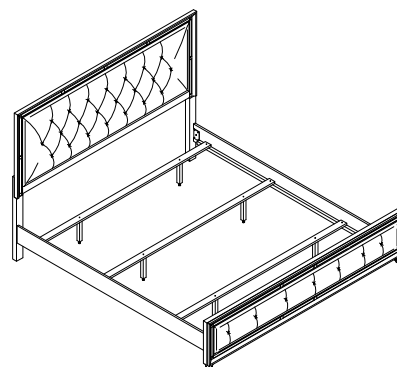
# ASSEMBLY INSTRUCTION

MODEL NO: EK KING SIDE RAIL

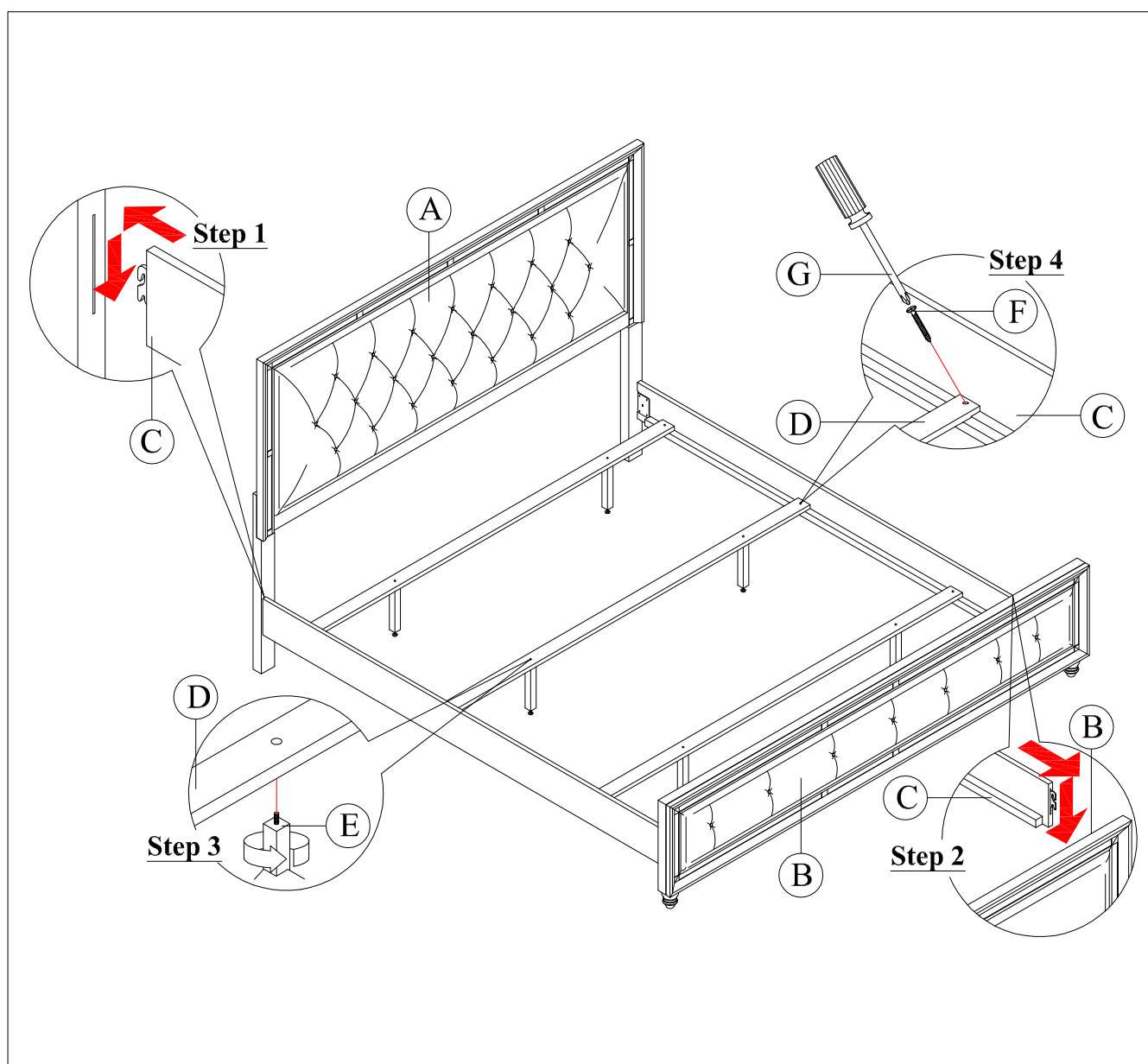
ITEM	DRAWING	DESCRIPTION	QTY
A		HEADBOARD	1
B		FOOTBOARD	1
C		SIDE RAIL	2
D		WOODEN SLAT	3

ITEM	DRAWING	DESCRIPTION	QTY
E		WOODEN SUPPORT	6
F		CB SCREW (M4 x 32mm)	6
G		SCREW DRIVER (*)	1

The manufacturer does not provide item G.



**COMPLETED EK KING BED ASSEMBLY**



NOTE : MUST TIGHTEN SCREWS PERIODICALLY. WITH USE SCREWS MAY BECOME LOOSE.  
CHECK TIGHTNESS OF ALL SCREWS EVERY 6-8 WEEKS.

### CLEANING INSTRUCTION

After assembled, clean & polish the completed parts if necessary with soft cloth and industrial recognized furniture polish

MADE IN MALAYSIA

1621 / 1623SV EK KING SR