

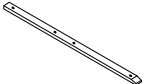
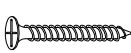
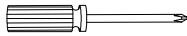
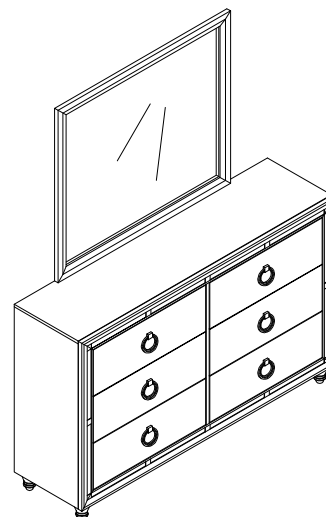


ASSEMBLY INSTRUCTION

MODEL NO: DRESSER & MIRROR

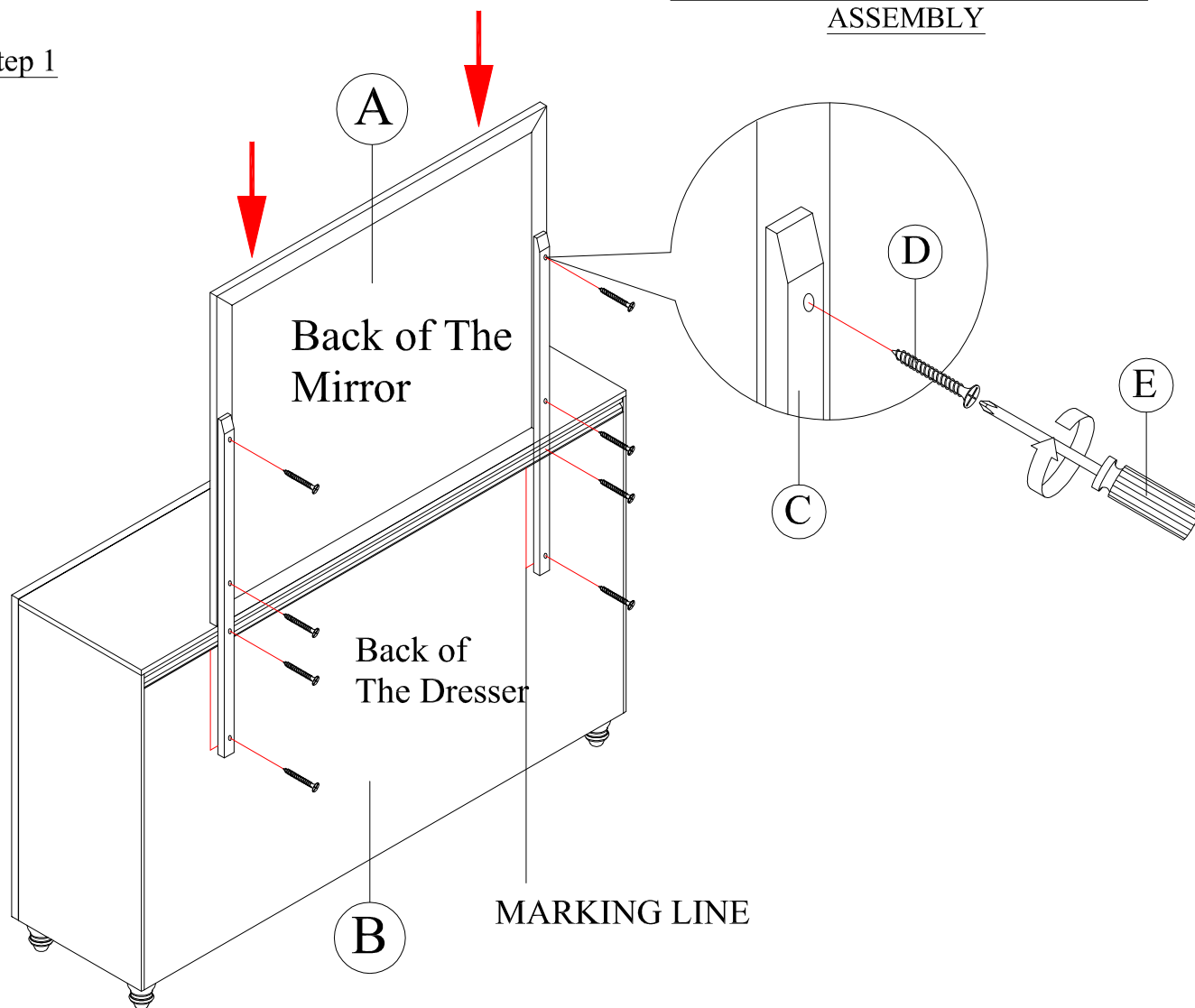
ITEM	DRAWING	DESCRIPTION	QTY
A		MIRROR	1
B		DRESSER	1
C		MIRROR BACK SUPPORT	2
D		CB SCREW (M4 x 32mm)	8
E		SCREW DRIVER (*)	1



COMPLETED DRESSER & MIRROR
ASSEMBLY

(*) The manufacturer does not provide item E

Step 1



NOTE : MUST TIGHTEN SCREWS PERIODICALLY. WITH USE SCREWS MAY BECOME LOOSE.
CHECK TIGHTNESS OF ALL SCREWS EVERY 6-8 WEEKS.

CLEANING INSTRUCTION

After assembled, clean & polish the completed parts if necessary with soft cloth and industrial recognized furniture polish