

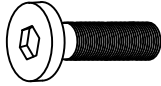
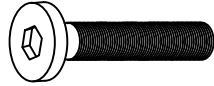
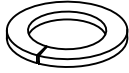
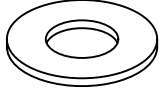

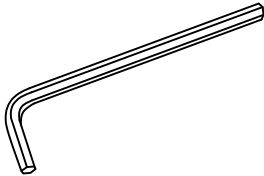
OZARK-WHITE-KB ASSEMBLY INSTRUCTION

Thank you for purchasing this quality product. Be sure any small parts and hardware not for children under 3 years. Adult assembly required.

"DO NOT TIGHTEN SCREWS UNTIL COMPLETELY ASSEMBLED"

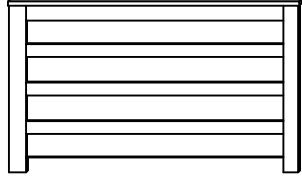
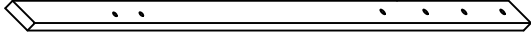
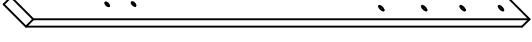
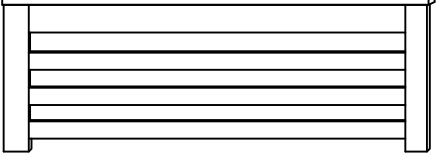
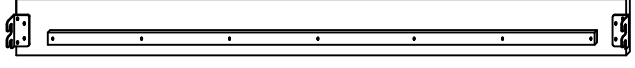
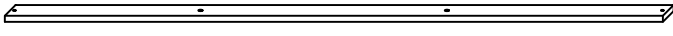
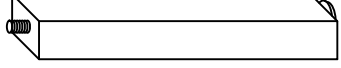
"DO NOT OVERTIGHT ANY HARDWARE"

HARDWARES LIST

| ITEM | DESCRIPTION | DRAWING | QTY |
|------|---------------------------|--|-------|
| A | JCBC SCREW M8 x 16MM |  | 8 PCS |
| B | JCBC SCREW M8 x 35MM |  | 8 PCS |
| C | SPRING WASHER M8 x 19MM |  | 8 PCS |
| D | FLAT WASHER M8 x 22MM |  | 8 PCS |
| E | CSK C/B SCREW (M4 x 32MM) |  | 8 PCS |
| F | M5 ALLEN KEY (65MM) |  | 1 PC |

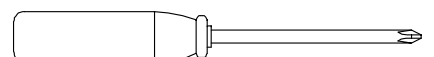
OZARK-WHITE-KB ASSEMBLY INSTRUCTION

PARTS LIST

| ITEM | DESCRIPTION | DRAWING | QTY |
|------|---------------------------|--|-------|
| 1 | HEADBOARD |  | 1 PC |
| 2 | HEADBOARD SUPPORT RAIL(R) |  | 1 PC |
| 3 | HEADBOARD SUPPORT RAIL(L) |  | 1 PC |
| 4 | FOOTBOARD |  | 1 PC |
| 5 | SIDE RAIL |  | 2 PCS |
| 6 | SLAT |  | 4 PCS |
| 7 | CENTRE SUPPORT LEG |  | 8 PCS |

ASSEMBLY TOOLS REQUIRED

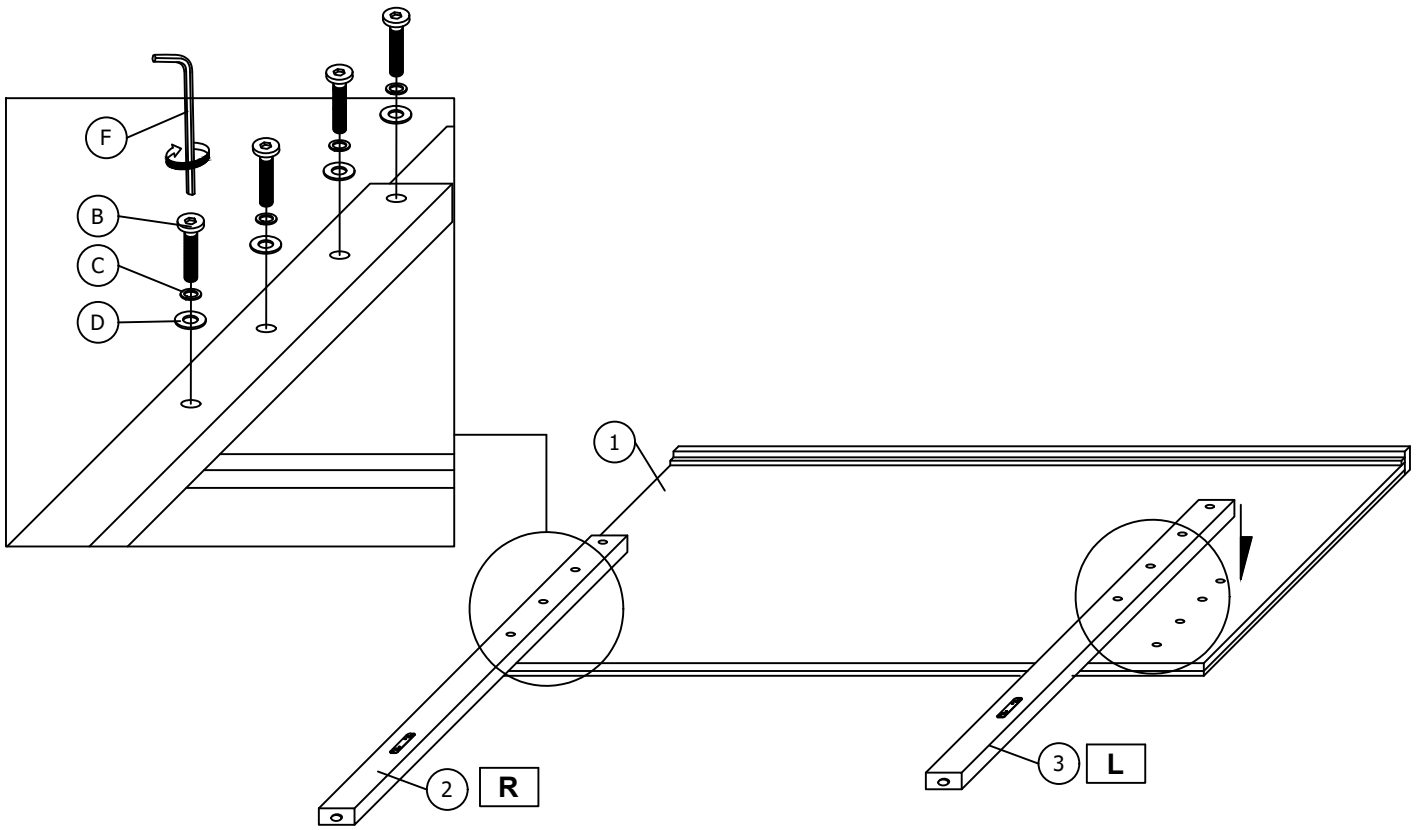
Screwdriver (not provide)



OZARK-WHITE-KB ASSEMBLY INSTRUCTION

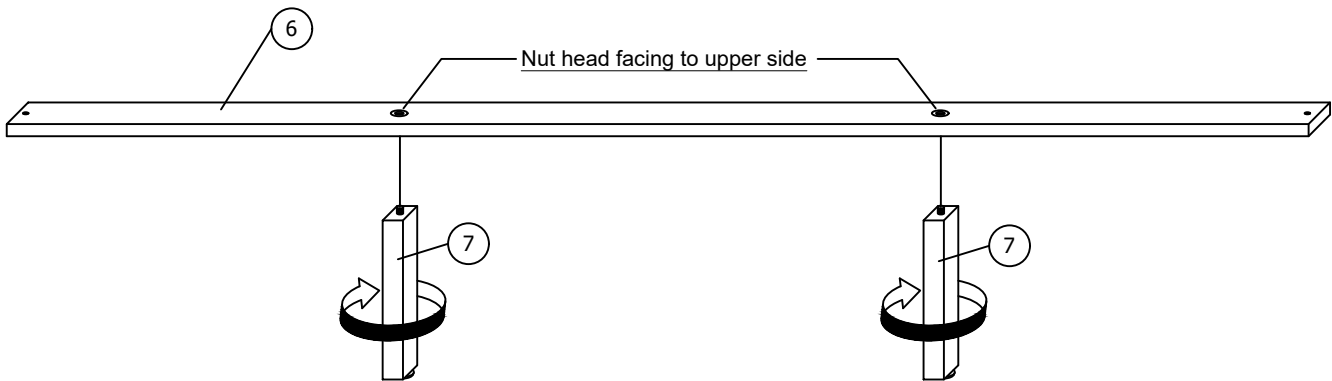
ASSEMBLY STEPS

STEP 1



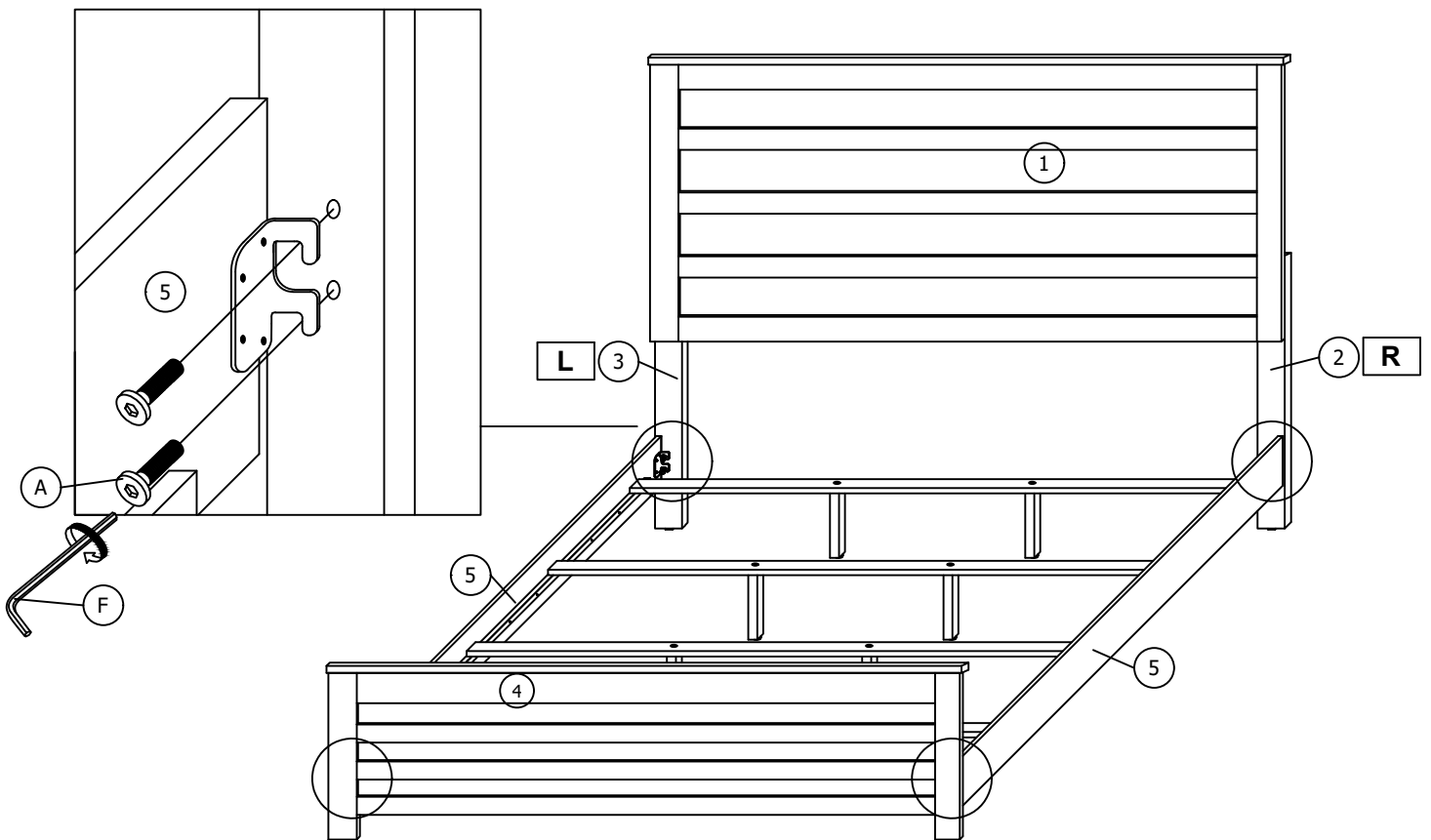
STEP 2

X 4

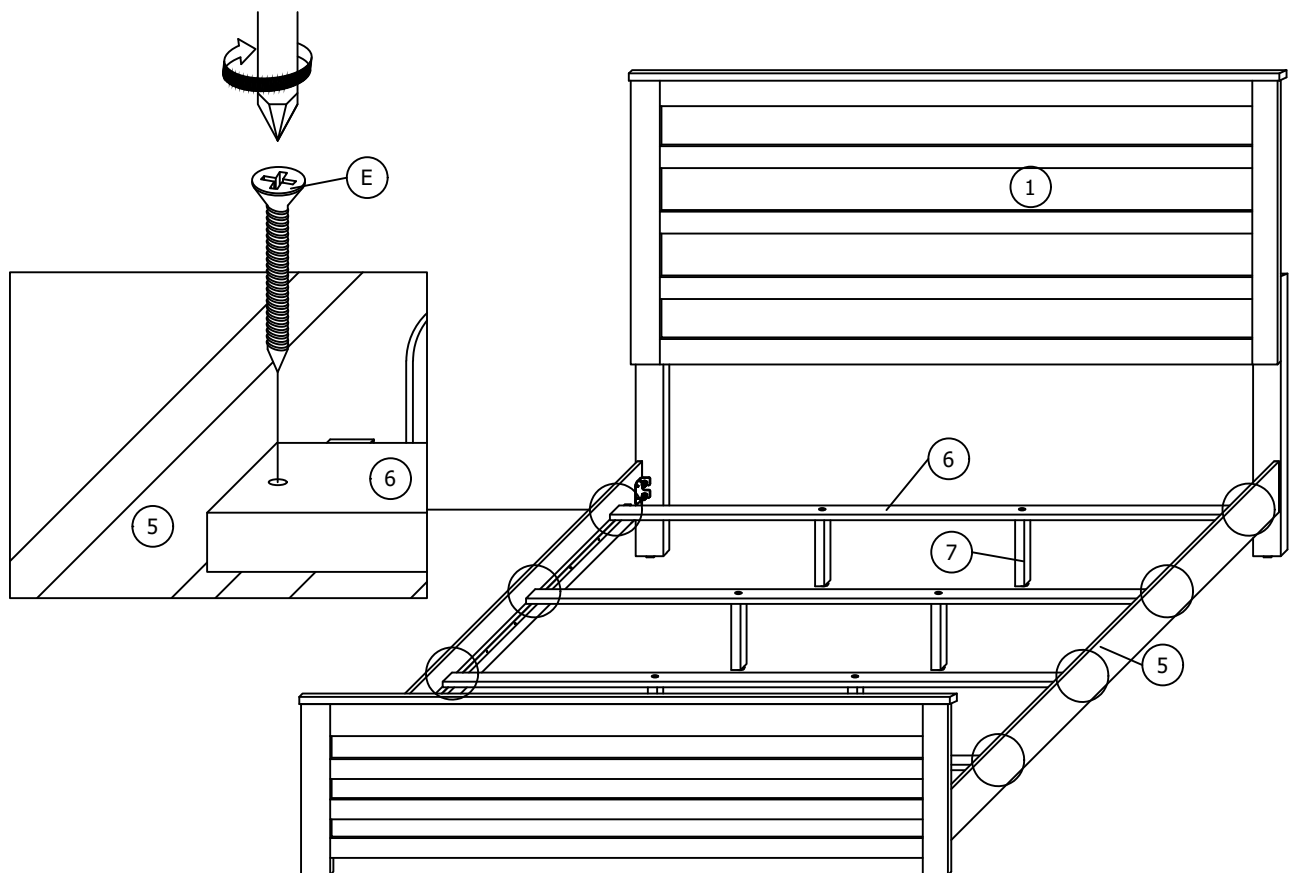


OZARK-WHITE-KB ASSEMBLY INSTRUCTION

STEP 3

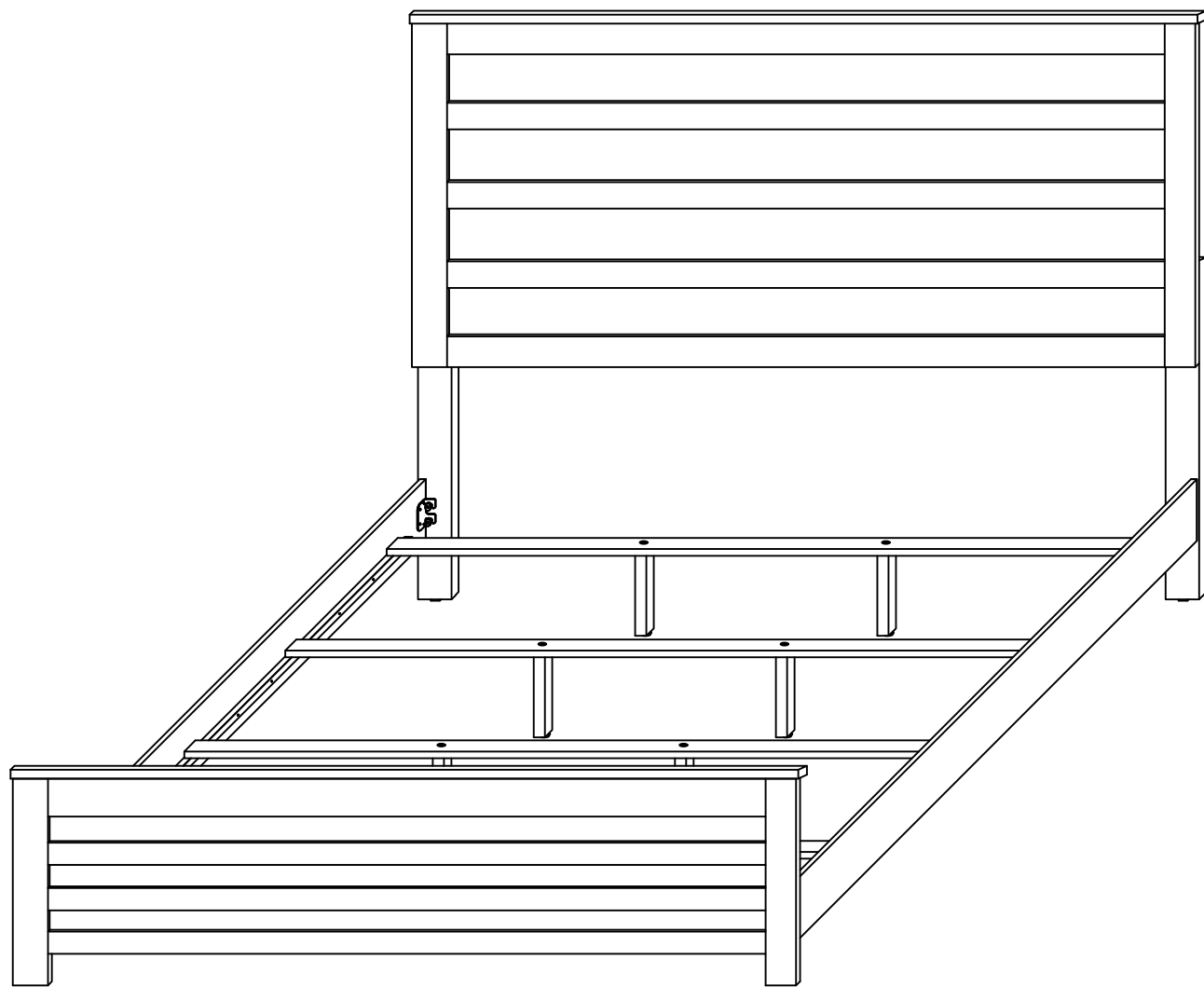


STEP 4



OZARK-WHITE-KB ASSEMBLY INSTRUCTION

STEP 5



ASSEMBLY COMPLETED