

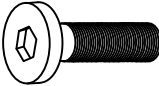
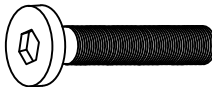
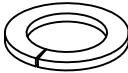
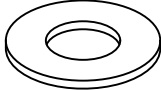

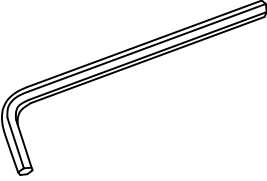
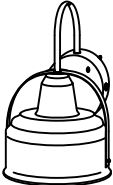
LINWOOD-FB-N / QB-N ASSEMBLY INSTRUCTION

Thank you for purchasing this quality product. Be sure any small parts and hardware not for children under 3 years. Adult assembly required.

"DO NOT TIGHTEN SCREWS UNTIL COMPLETELY ASSEMBLED"

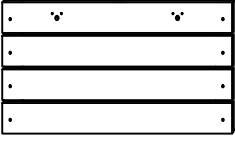
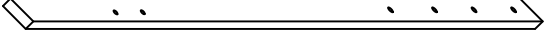
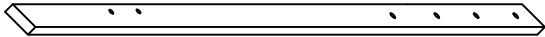


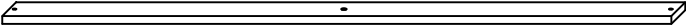
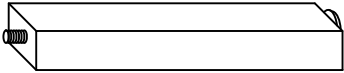
"DO NOT OVERTIGHT ANY HARDWARE"

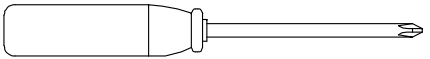
HARDWARES LIST

ITEM	DESCRIPTION	DRAWING	QTY
A	JCBC SCREW M8 x 20MM		8 PCS
B	JCBC SCREW M8 x 40MM		8 PCS
C	SPRING WASHER M8 x 19MM		8 PCS
D	FLAT WASHER M8 x 22MM		8 PCS
E	CSK C/B SCREW (M4 x 32MM)		8 PCS
F	M5 ALLEN KEY (65MM)		1 PC
I	HEADBOARD LAMP		2 PCS

LINWOOD-FB-N / QB-N ASSEMBLY INSTRUCTION

PARTS LIST

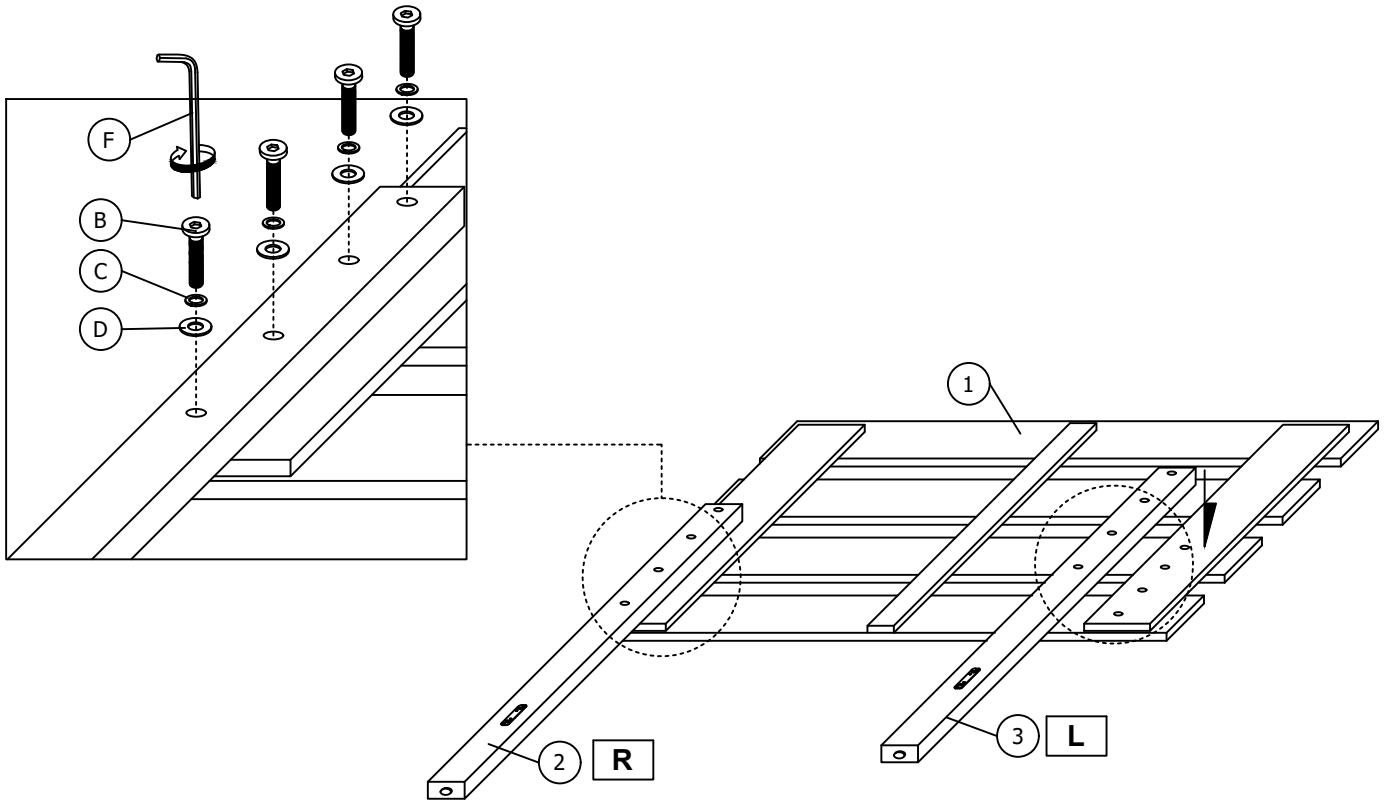
ITEM	DESCRIPTION	DRAWING	QTY
1	HEADBOARD		1 PC
2	HEADBOARD SUPPORT RAIL(R)		1 PC
3	HEADBOARD SUPPORT RAIL(L)		1 PC
4	FOOTBOARD		1 PC
5	SIDE RAIL		2 PCS
6	SLAT		4 PCS
7	CENTRE SUPPORT LEG		4 PCS

ASSEMBLY TOOLS REQUIRED
Screwdriver (not provide)


LINWOOD-FB-N / QB-N ASSEMBLY INSTRUCTION

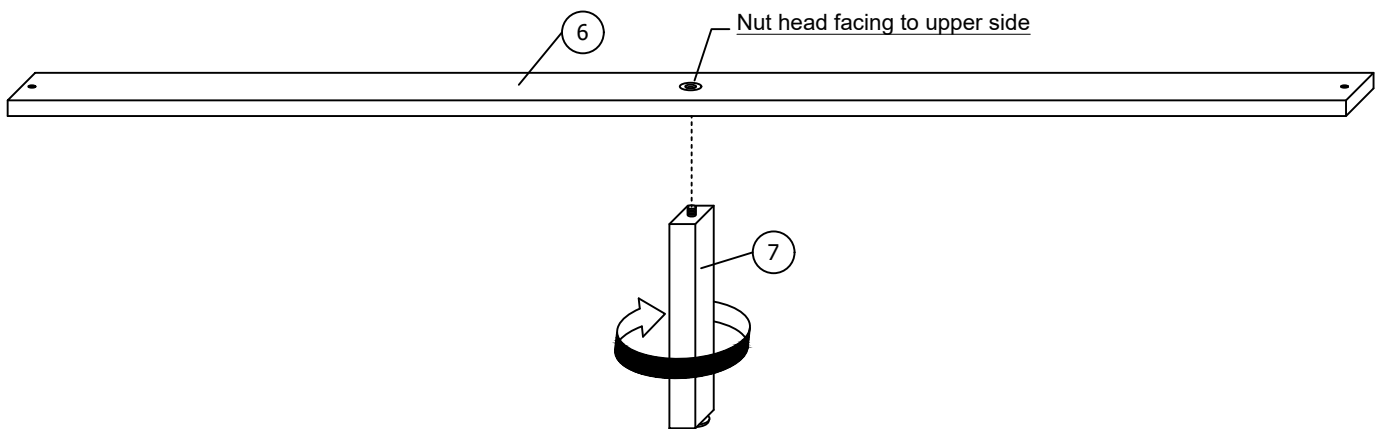
ASSEMBLY STEPS

STEP 1



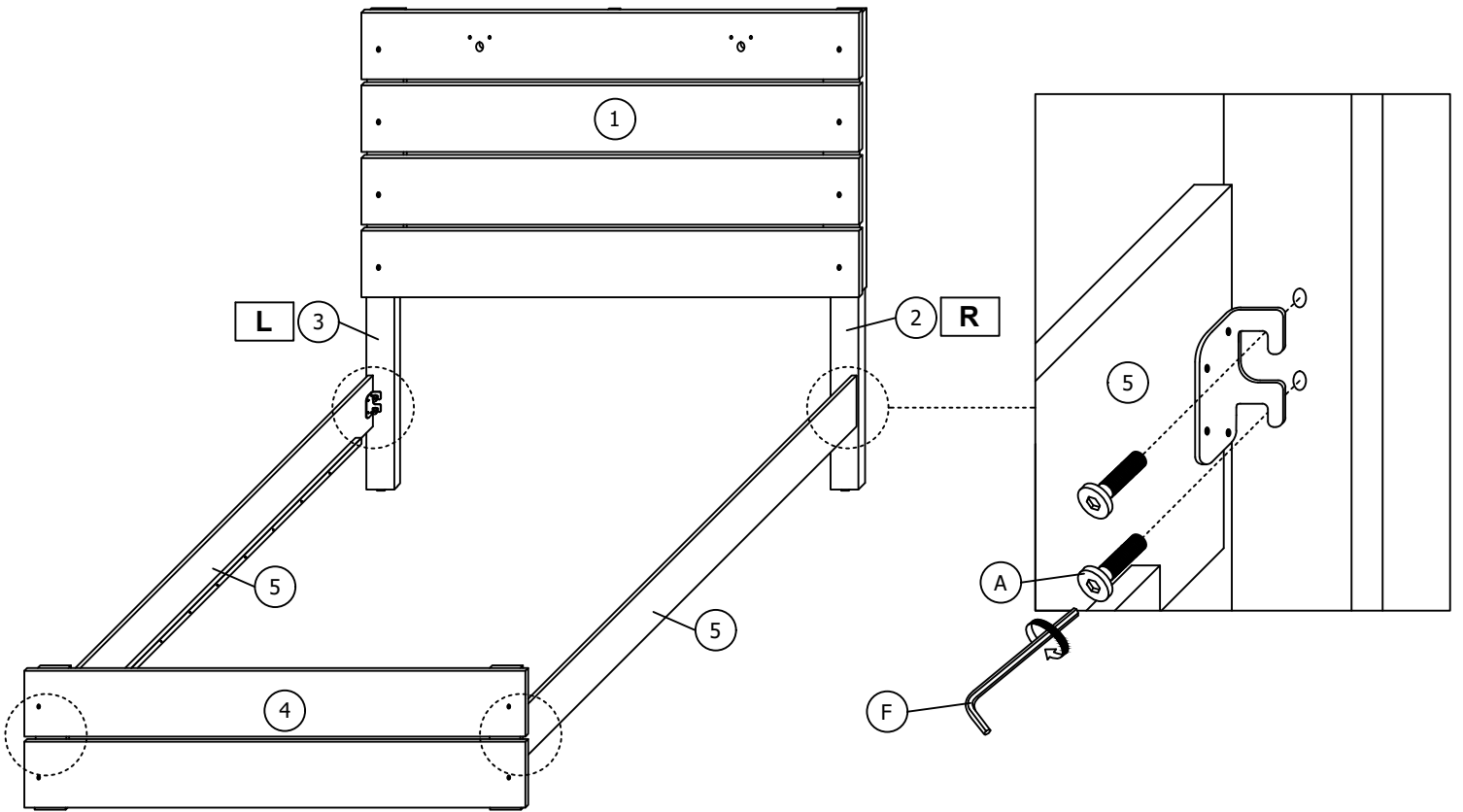
STEP 2

X 4

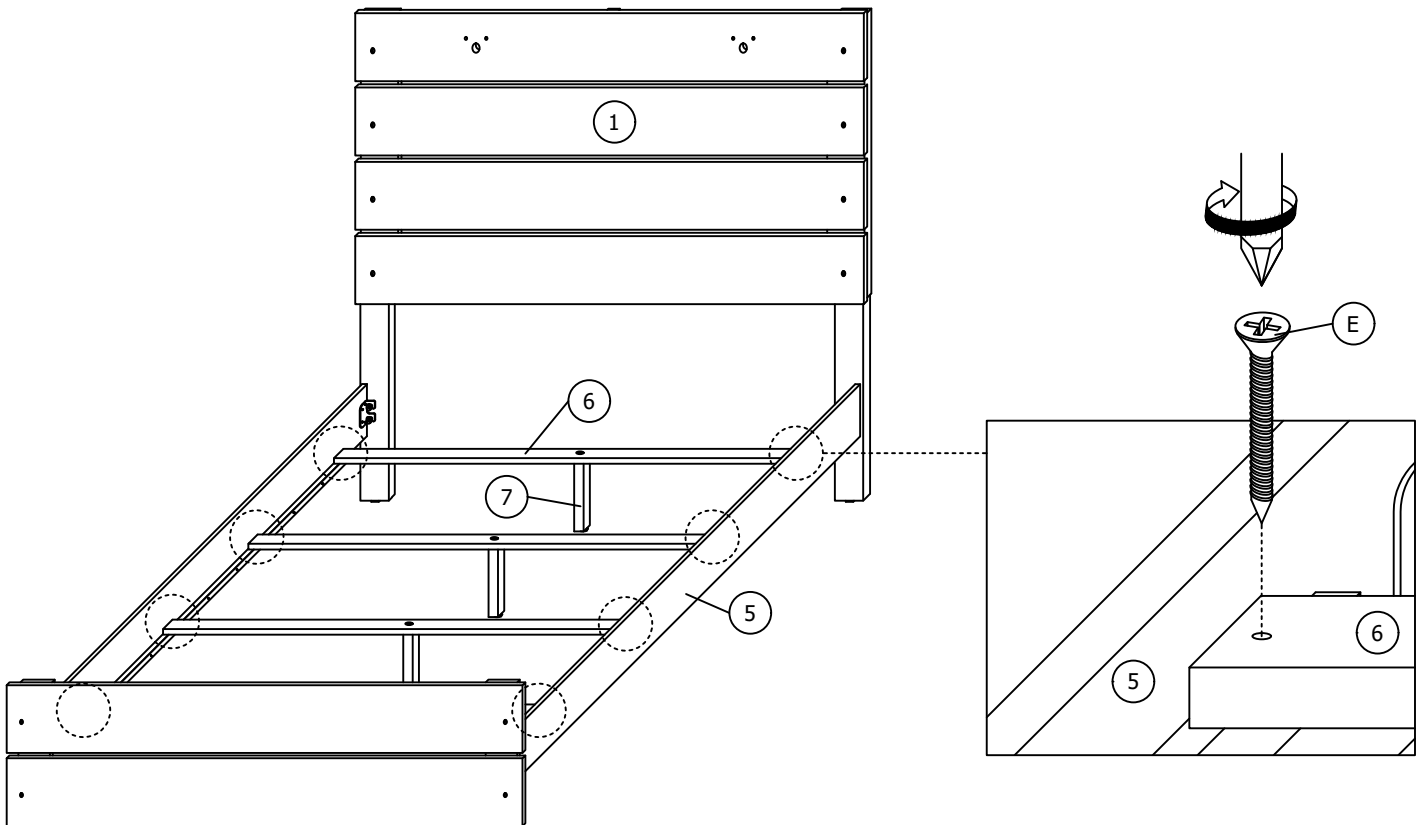


LINWOOD-FB-N / QB-N ASSEMBLY INSTRUCTION

STEP 3



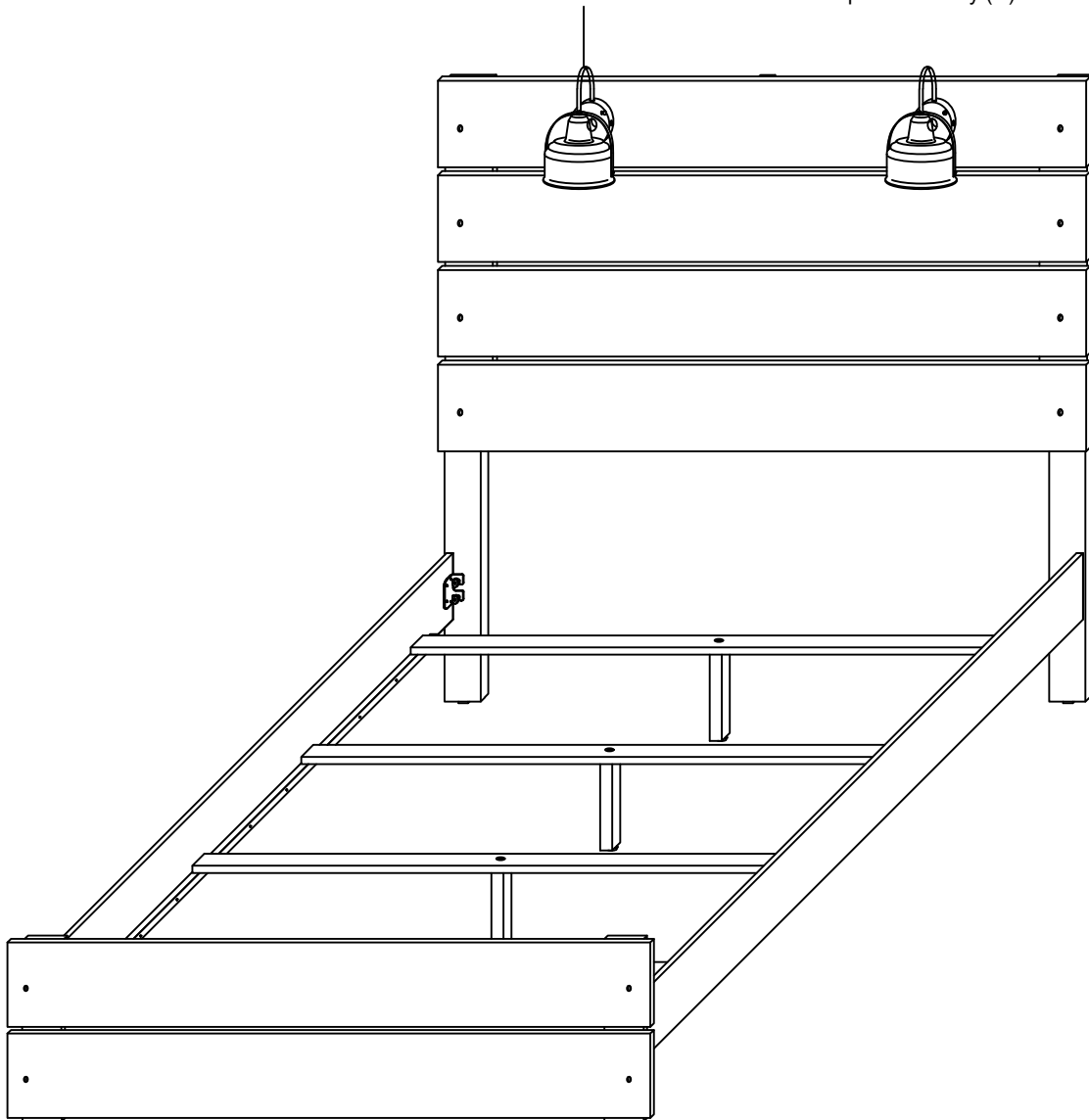
STEP 4



LINWOOD-FB-N / QB-N ASSEMBLY INSTRUCTION

STEP 5

Follow the instructions in the box of lamp to assembly (H)



ASSEMBLY COMPLETED