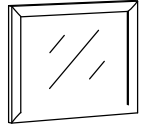
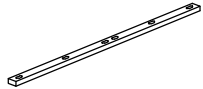


ASSEMBLY INSTRUCTIONS

0011A EMILY
DRESSER & MIRROR

(BOX 1)
BOX OF MIRROR

NO	ITEM	QTY
A	MIRROR FRAME 	1 PC
B	MIRROR SUPPORT 	2 PCS

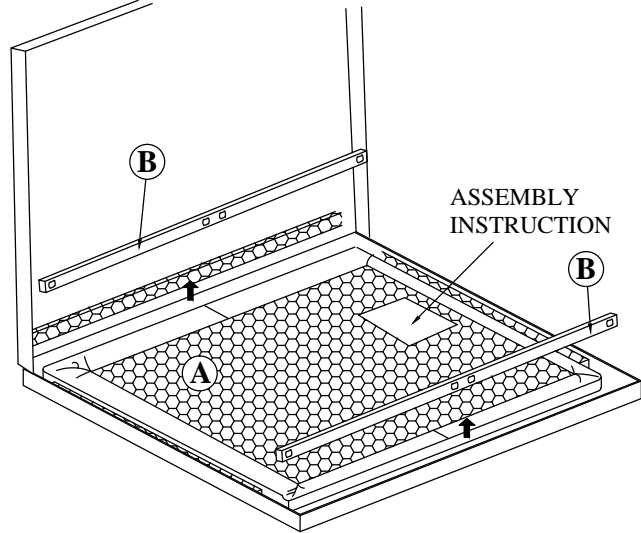
(BOX 2)
BOX OF DRESSER

NO	ITEM	QTY
C	DRESSER 	1 PC

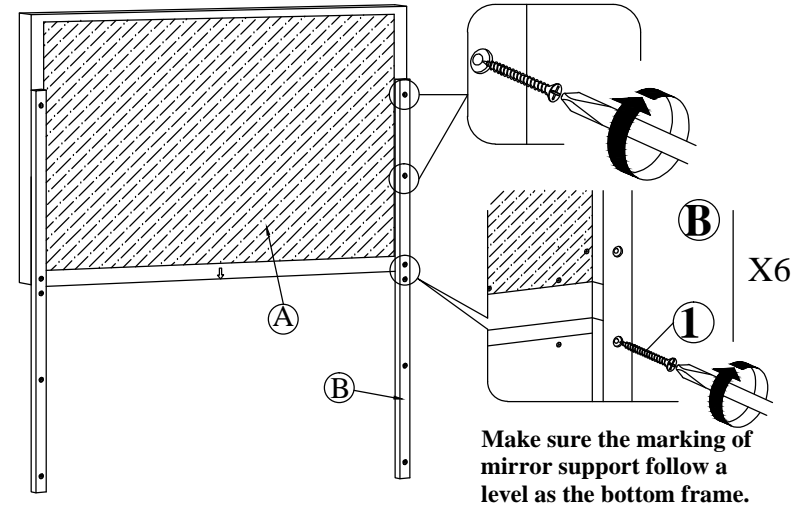
(BOX 1)
HARDWARE LIST

NO	ITEM	QTY
1	FLAT HEAD CHIPBOARD SCREW M4 x 32MM 	12 PCS

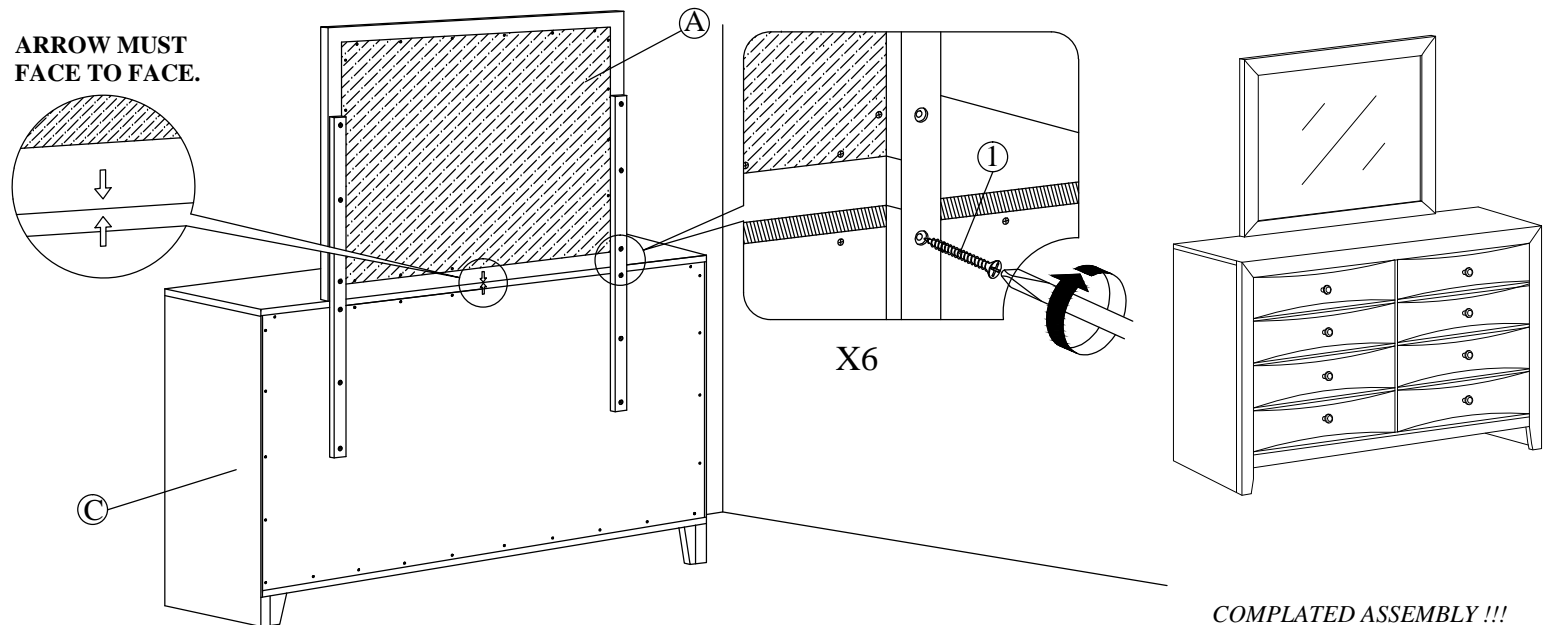
STEP 1 : Take out the Mirror support rails (B) from the carton box.



STEP 2 : Attach Mirror Support Rail (B) to Mirror (A) as shown and tighten with CSK Screw (1)



STEP 3 : Place the Mirror (A) on the top of Dresser (C) as shown. Aims at two arrows the align center and tighten with CSK Screw (1)



NOTE : MUST TIGHTEN SCREWS PERIODCALLY WITH USE SCREW WILL BECOME LOOSE CHECK TIGHTNESS OF ALL SCREW EVERY 6-8 WEEKS.