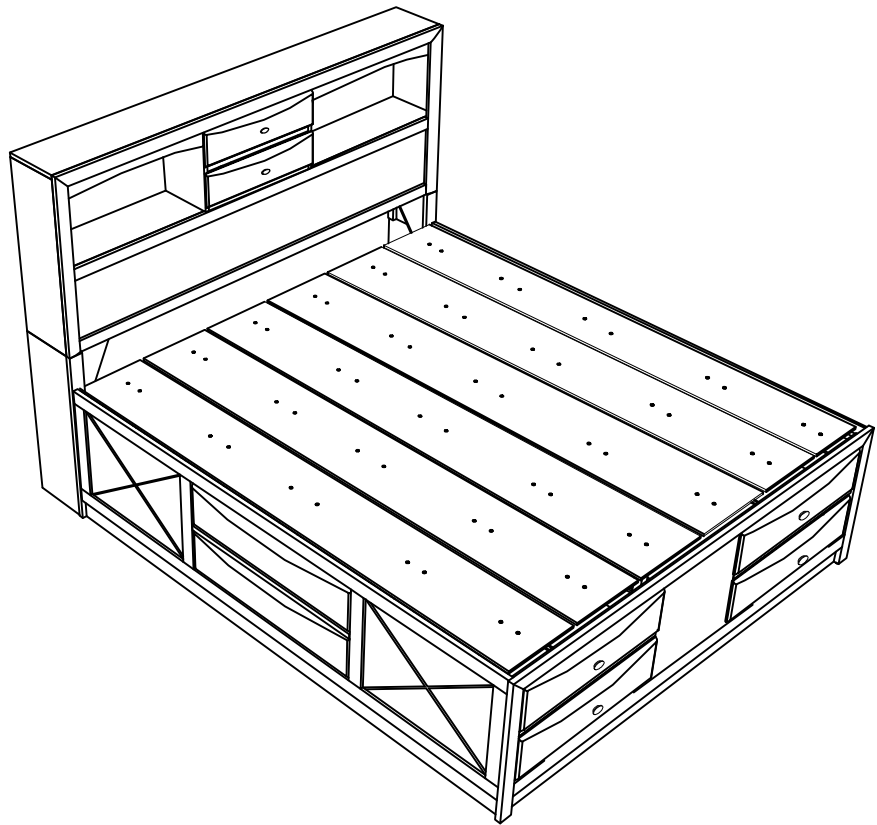


# Linda Storage Bed

## Assembly Installation Guide

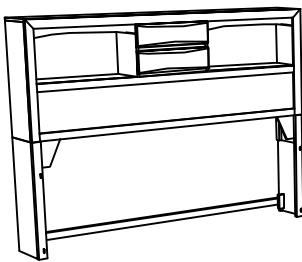
### DESCRIPTION:

Headboard  
Footboard  
Side Rails  
Slat & Support Legs Storage  
Drawers

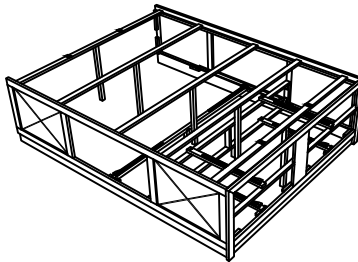


## INSTALLATION AREA

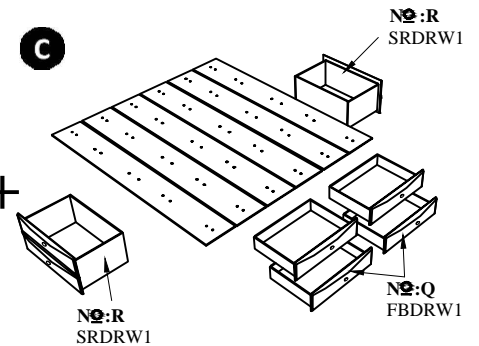
**A**



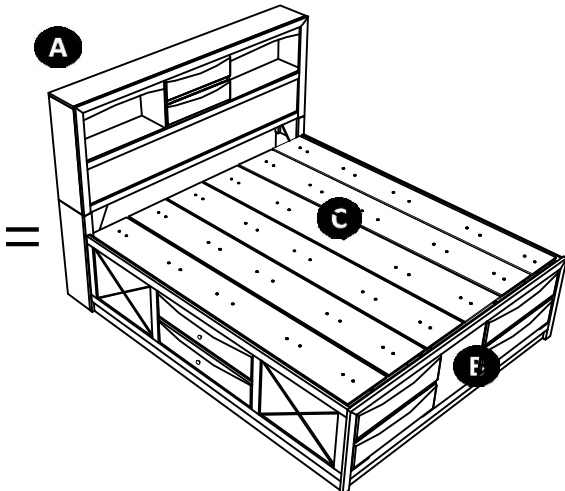
**B**



**C**



**A**



Caution : Please read instructions thoroughly before unpacking assembly parts. Sharp, exposed staple tips can cause injury, therefore, for your protection, please remove any exposed staples used in packing.

1. We recommend that you should assemble this product with the assistance of another person ; this will make assembly easier, and will help to eliminate damage to the product or injury to persons during assembly.
2. Be sure to check all packing materials carefully for small parts that may have come loose inside the carton during shipment.
3. Please do not over tighten screws or bolts.
4. Please put all parts on a non - abrasive floor before assembly. and follow the assembly step to assemble your newly purchased product correctly and efficiently .

Drawer No:Q & No:R are identical & compatible, to each other regardless left or right.

During assembly, do not tighten any hardware until the complete unit has been assembled.



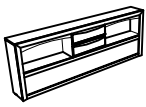
**2 PERSON**  
installation recommended



**20 - 25**  
minutes for installation

# BOX 1

## Box of Headboard & Footboard



**NOA**

Headboard x 1  
255 x 1420 x 1997 mm



**NOB**

Footboard x 1  
42 x 570 x 1995mm



**NOA1**

Headboard Drawer x 2



**NOC(L)**

Headboard Leg (L) x 1



**NOC(R)**

Headboard Leg (R) x 1



**NOD**

Triangle Support Panel x 2  
-9 x 200 x 200



**NOE**

Drawer Support Rail 2 x 4  
20 x 40 x 633mm



**NOF**

Support Leg 2 x 1  
30 x 30 x 95mm



**NOG**

Support Leg 3 x 1  
30 x 30 x 107mm

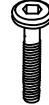
## Hardware List



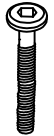
**NO1**  
Flat Head Chipboard  
Screw x 9  
m4 x 32mm RBW



**NO2**  
Pan Head Chipboard  
Screw x 8  
m3.5 x 20mm BLK



**NO3**  
JCBC Bolt x 4  
m6 x 35mm  
BLK



**NO4**  
JCBC Bolt x 2  
m6 x 50mm  
BLK



**NO5**  
Spring Washer x 6  
1/4" RBW



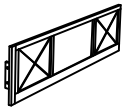
**NO6**  
Flat Washer x 6  
1/4" ID x 13mm OD  
BLK



**NO7**  
Allen Key x 1  
m4 x 110mm BLK

# BOX 2

## Box of Side rail



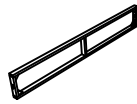
**NOH**

Side Rail x 2  
39 x 570 x 2060mm



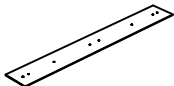
**NOI**

Bed Slat x 3  
18 x 45 x 1951mm



**NOJ**

F/Board Drawer Frame x 1  
40 x 220 x 1951mm



**NOK**

Concealed Panel x 6  
9 x 295 x 2040mm



**NOL**

H/Board Back Support 1  
x 1  
19 x 30 x 1965mm



**NOM**

Drawer Support Rail x 1  
30 x 30 x 1951mm



**NON**

Support Leg 1 x 5  
30 x 30 x 518mm



**NOO**

H/Board Back Support 2 x 1  
18 x 45 x 1965mm



**NOP**

Bed Slat With Marking x 2  
18 x 45 x 1951mm

## Hardware List



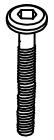
**NO8**  
Flat Head Chipboard  
Screw x 16  
m4 x 32mm RBW



**NO9**  
Pan Head Chipboard  
Screw x 32  
m3.5 x 20mm BLK



**NO10**  
JCBC Bolt x 15  
m6 x 35mm  
BLK



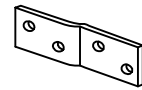
**NO11**  
JCBC Bolt x 6  
m6 x 50mm  
BLK



**NO12**  
Spring Washer x 15  
1/4" RBW



**NO13**  
Flat Washer x 15  
1/4" ID x 13mm OD  
BLK



**NO14**  
Z-Bracket x 1



**NO15**  
Allen Key x 1  
m4 x 110mm BLK

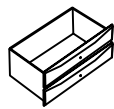
# BOX 3 & 4

## Box of Parts & Hardware



**NOQ**

Drawer 1 x 4



**NOR**

Drawer 2 x 2



**NO16**

Handle x 8



**NO17**

Truss Head M.  
Screw Handle x 4  
m4 x 48mm BLK



**NO18**

Truss Head M.  
Screw Handle x 4  
m4 x 50mm BLK

# A

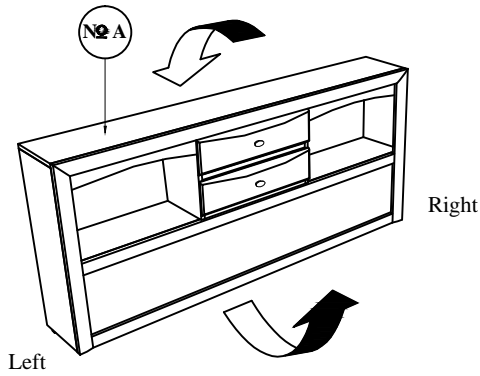


Headboard Assembly Installation

STEP 01

Rotate the Headboard (A) down and turn to back.

Box 1 : No A

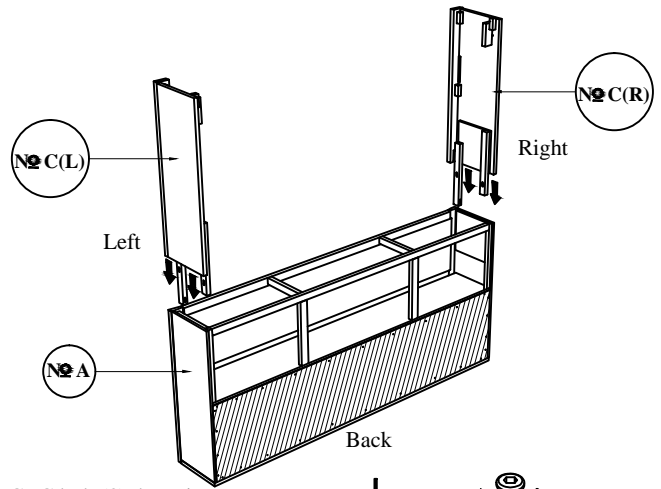


STEP 02

Attach and tighten the Headboard Leg

L/R (C) to the Headboard (A).

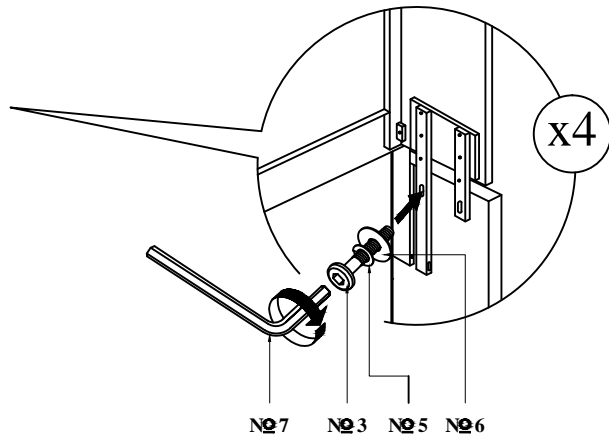
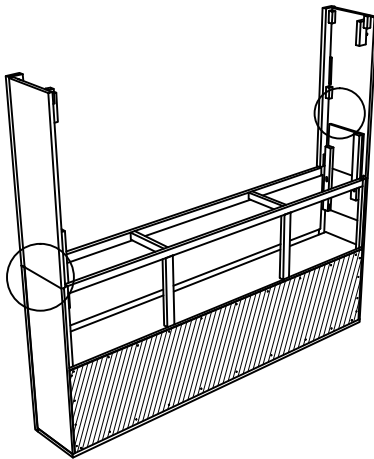
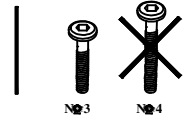
Box 1 : No C(L) + No C(R)



STEP 03

Insert Spring washer (5) , Flat Washer (6) , tighten JCBC bolt (3) by using an Allen Key (7).

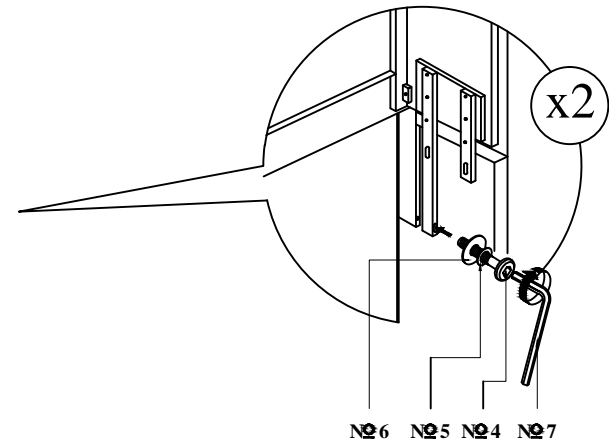
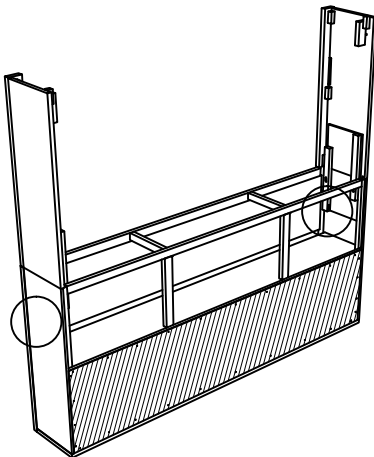
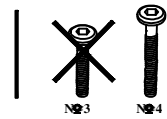
Box 1 : No 3 + No 5 + No 6 + No 7



STEP 04

Insert Spring washer (5) , Flat Washer (6) , tighten JCBC bolt (4) by using an Allen Key (7).

Box 1 : No 4 + No 5 + No 6 + No 7



# A

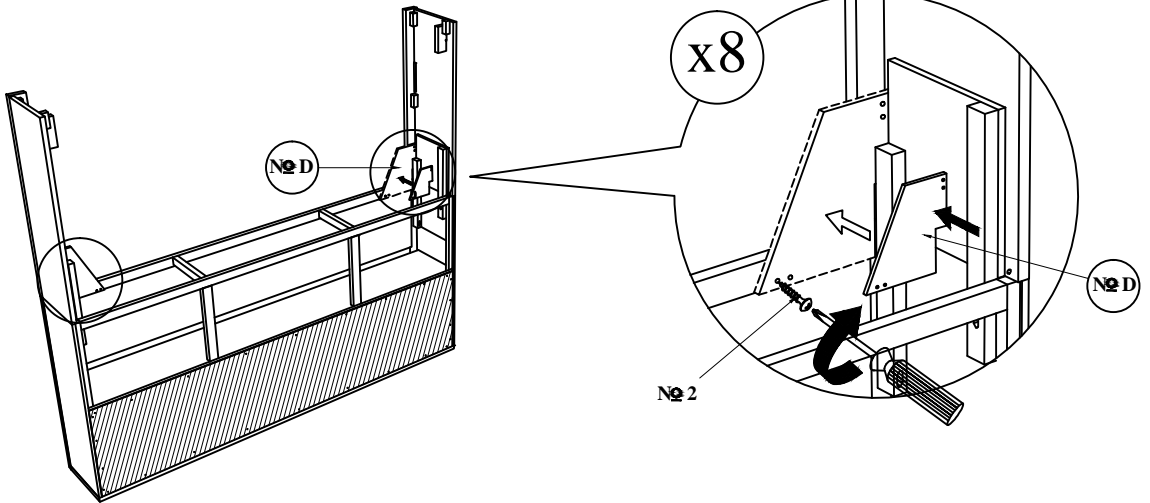


Headboard  
Assembly  
Installation

STEP  
05

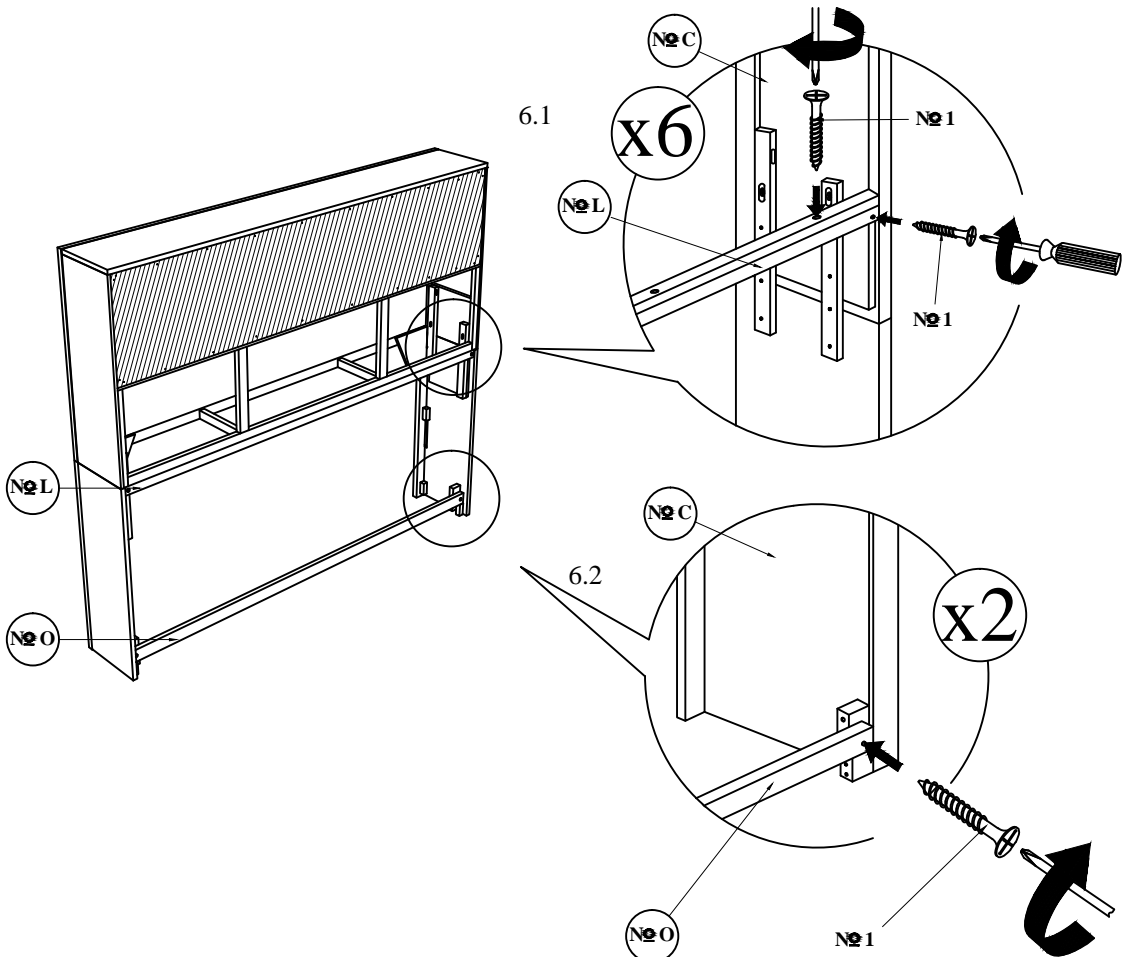
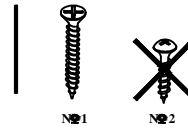
Attach and tighten the triangle Support Panel (D) to the Headboard and tighten the Panhead screw (2) using screw driver . (Not included)

Box 1 : № D + № 2



STEP  
06

Attach Headboard Back Support (L) & (O) as picture shown. Tighten the CSK screw (1) using a screw driver. (Not included)



# B

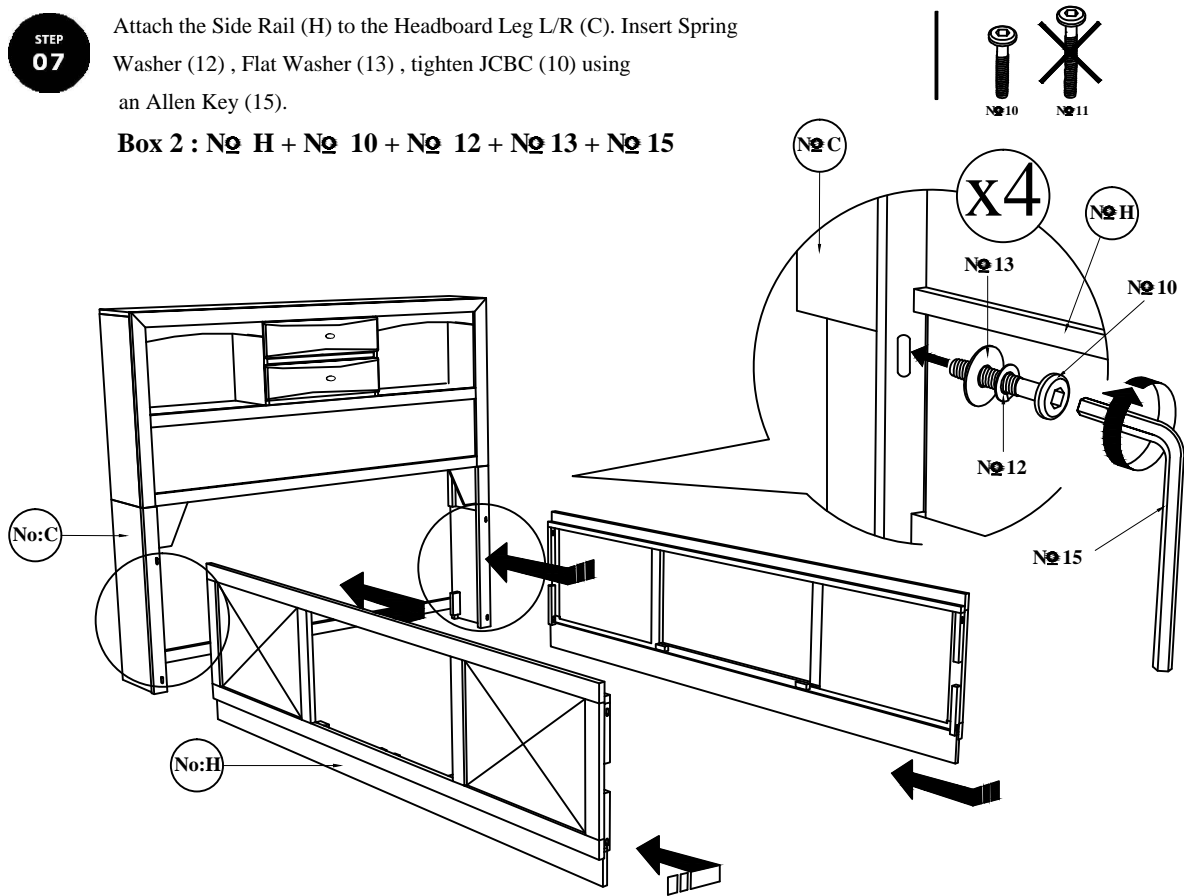
STEP  
07

Attach the Side Rail (H) to the Headboard Leg L/R (C). Insert Spring Washer (12), Flat Washer (13), tighten JCBC (10) using an Allen Key (15).

Box 2 : No H + No 10 + No 12 + No 13 + No 15



Footboard  
Structure  
Assembly  
Installation

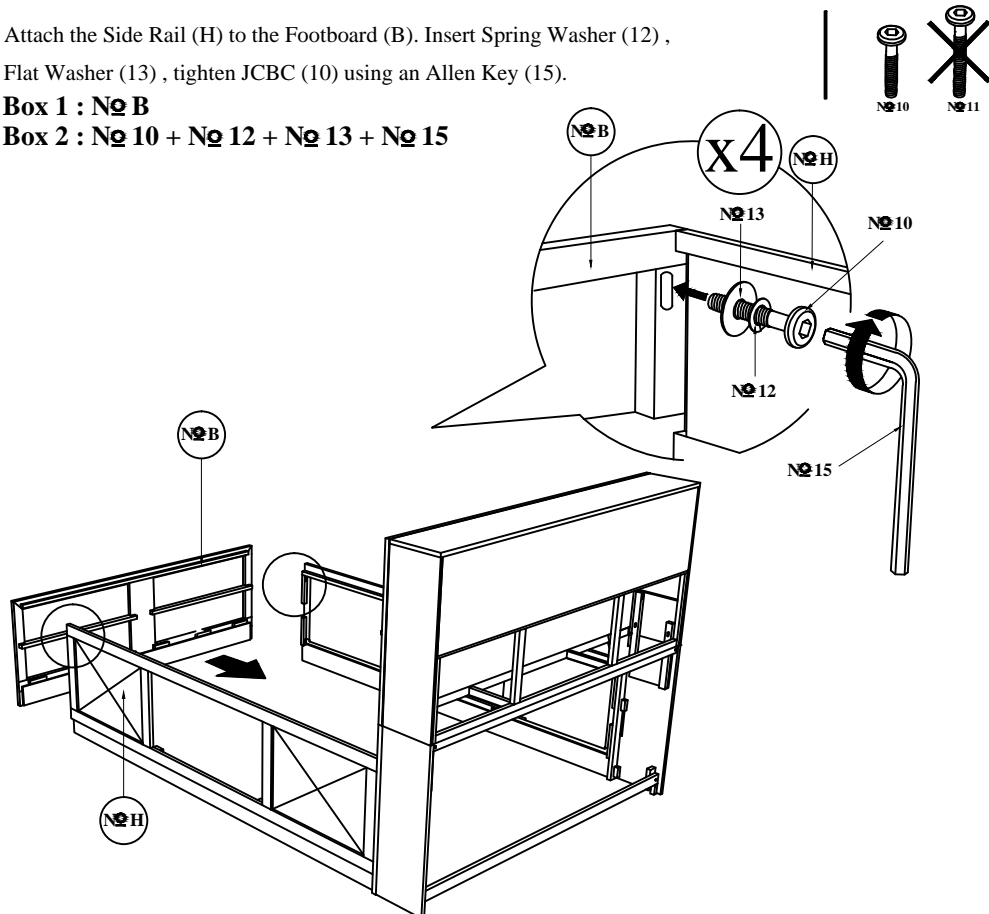


STEP  
08

Attach the Side Rail (H) to the Footboard (B). Insert Spring Washer (12), Flat Washer (13), tighten JCBC (10) using an Allen Key (15).

Box 1 : No B

Box 2 : No 10 + No 12 + No 13 + No 15



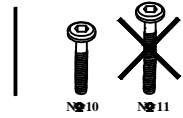
# B

**STEP 09**

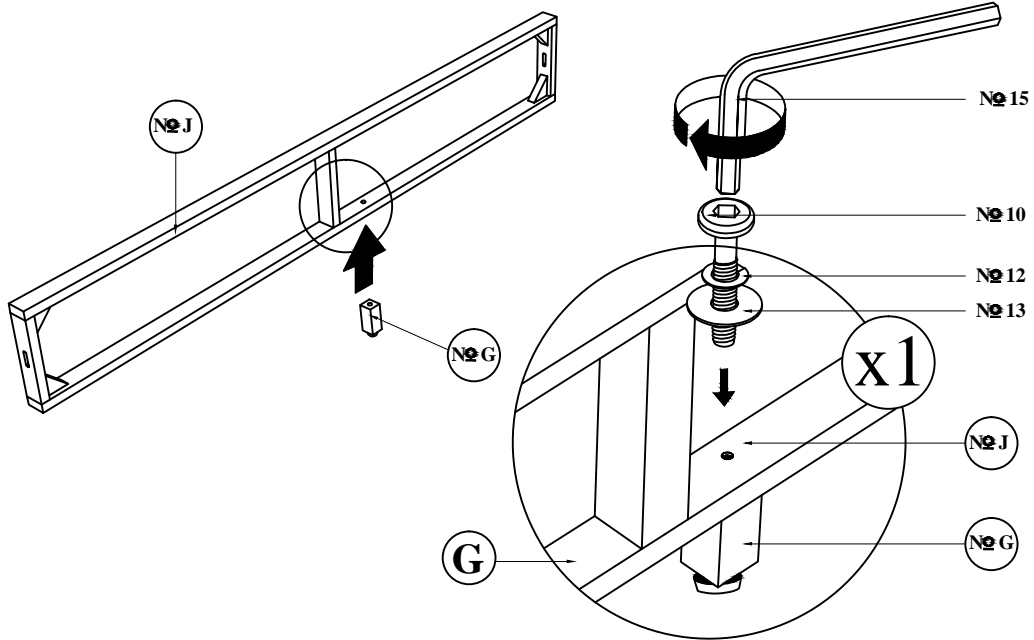
Attach Support Leg (G) to the Footboard Drawer Frame (J). Insert Spring Washer (12), Flat Washer (13), & tighten JCBC (10) using an Allen Key(15).

**Box 1 : № G**

**Box 2 : № J + № 10 + № 12 + № 13 + № 15**



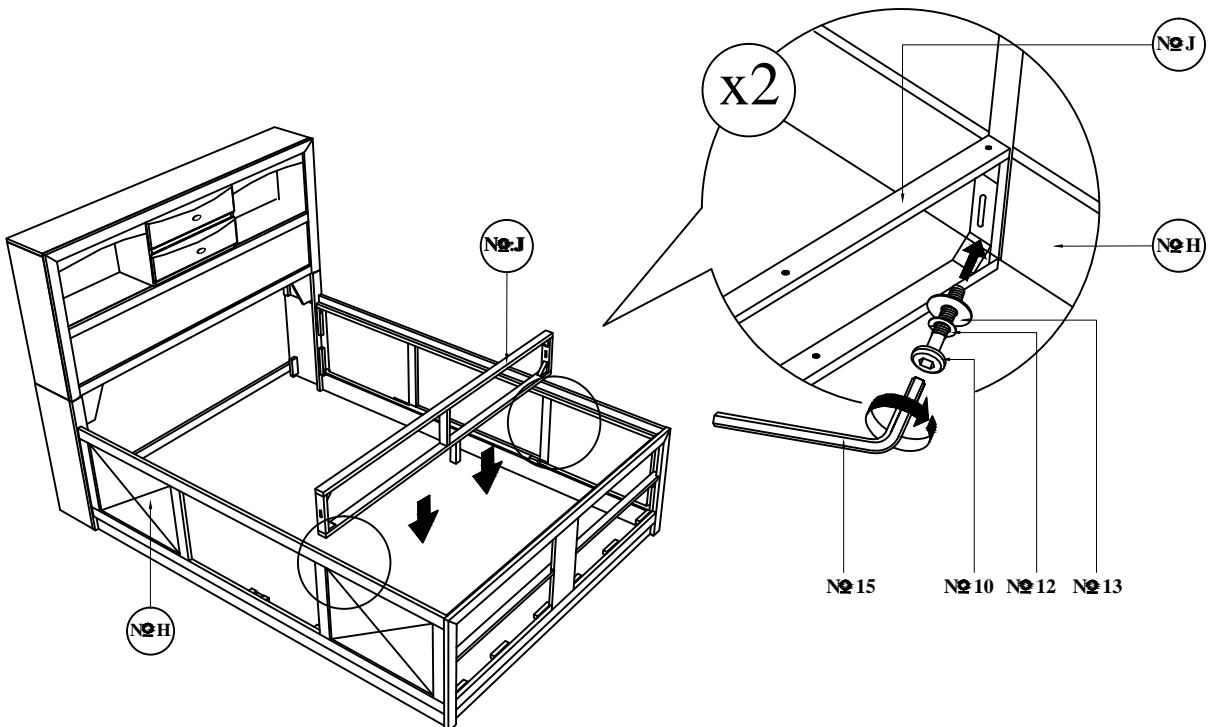
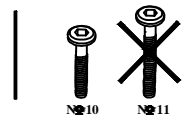
Footboard Structure Assembly Installation



**STEP 10**

Attach the Footboard Drawer Frame (J) to the Side Rail (H). Insert Spring Washer (12), Flat Washer (13), tighten JCBC (10) using Allen Key (15).

**Box 2 : № 10 + № 12 + № 13 + № 15**



# B

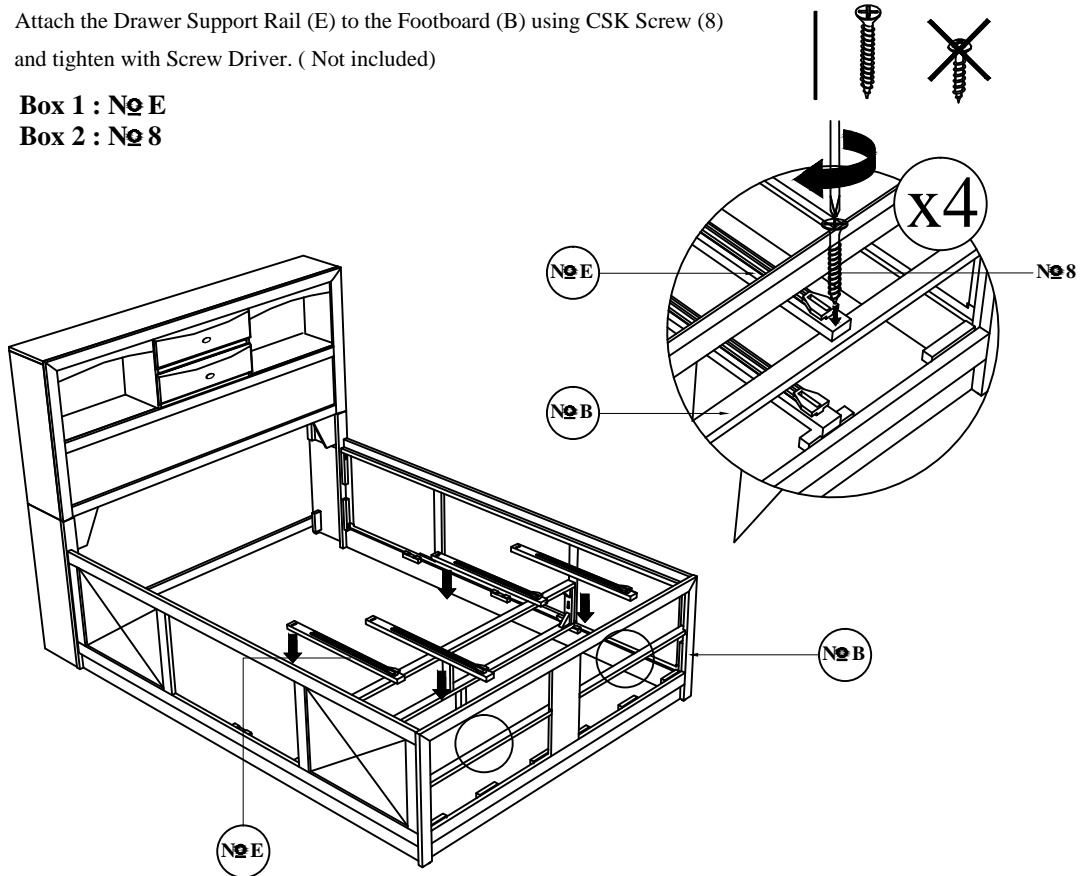


Footboard  
Structure  
Assembly  
Installation

STEP  
11

Attach the Drawer Support Rail (E) to the Footboard (B) using CSK Screw (8) and tighten with Screw Driver. ( Not included)

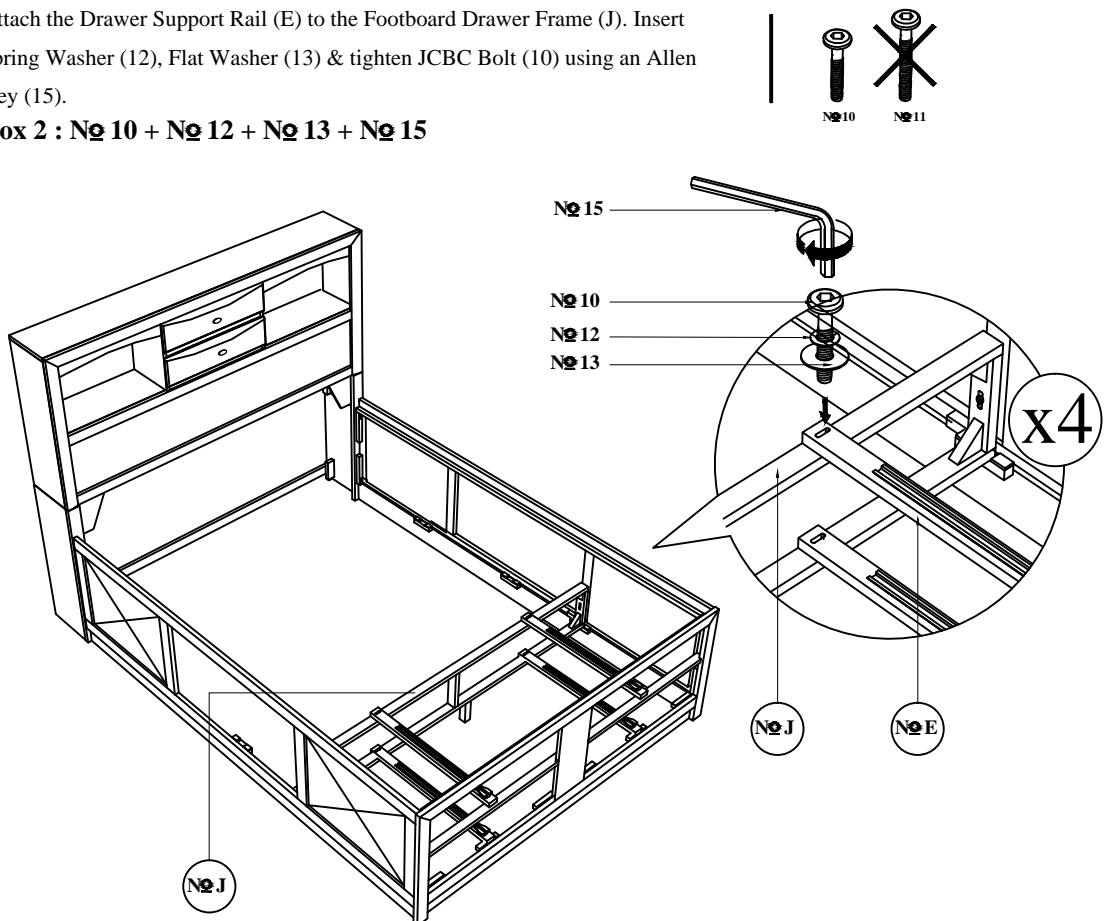
Box 1 : № E  
Box 2 : № 8



STEP  
12

Attach the Drawer Support Rail (E) to the Footboard Drawer Frame (J). Insert Spring Washer (12), Flat Washer (13) & tighten JCBC Bolt (10) using an Allen Key (15).

Box 2 : № 10 + № 12 + № 13 + № 15



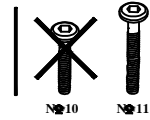
# B

STEP  
13

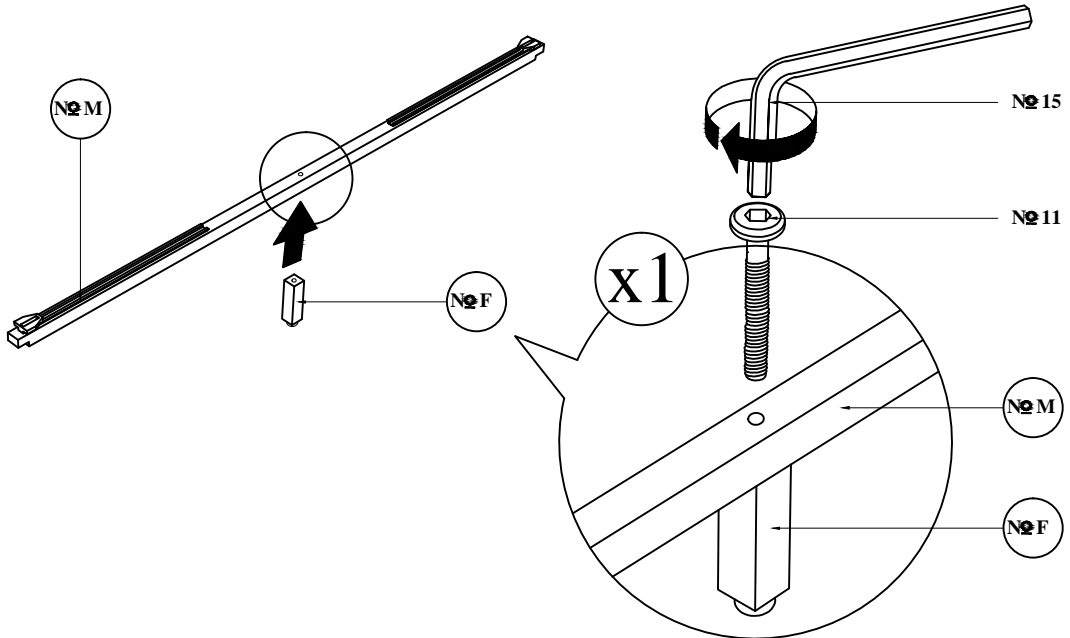
Attach Support Leg 2 (F) to the Drawer support Rail (M). Tighten JCBC Bolt (11) using an Allen Key (15)

Box 1 : N° F

Box 2 : N° M + N° 11 + N° 15



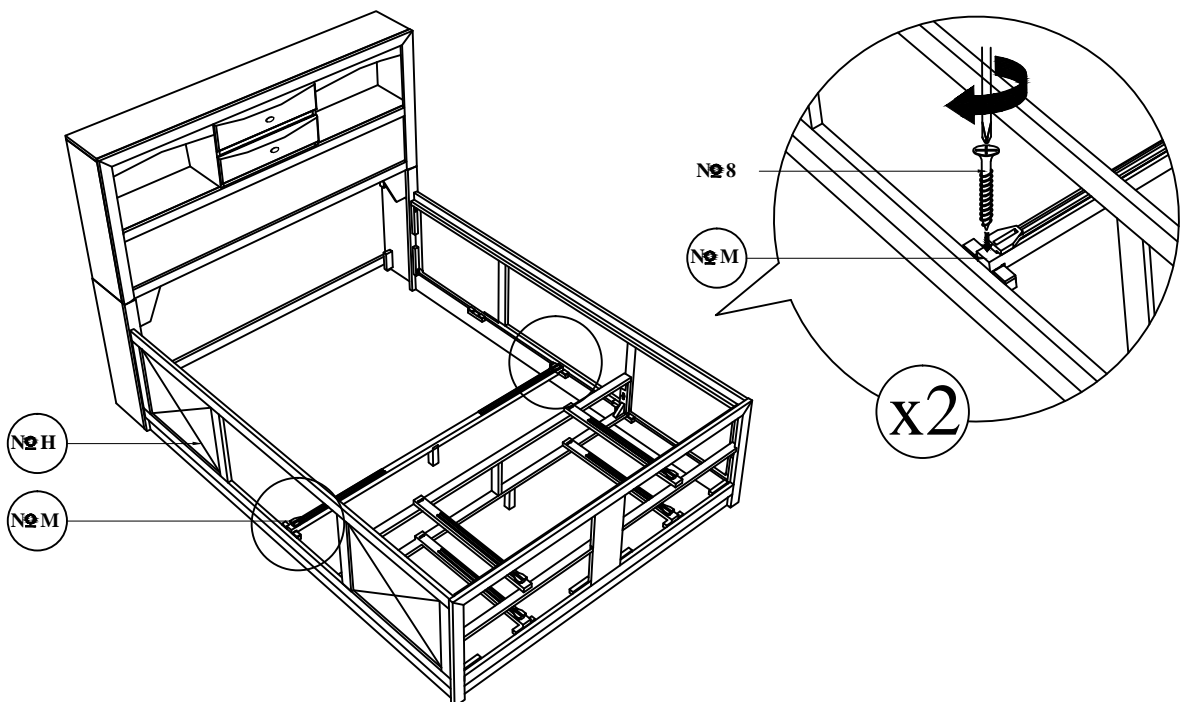
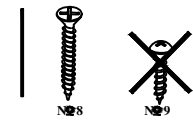
Footboard  
Structure  
Assembly  
Installation



STEP  
14

Attach Drawer Support Rail (M) to the Side Rail (H) using CSK Screw (8) and tighten with Screw Driver. ( Not included)

Box 2 : N° 8





# B

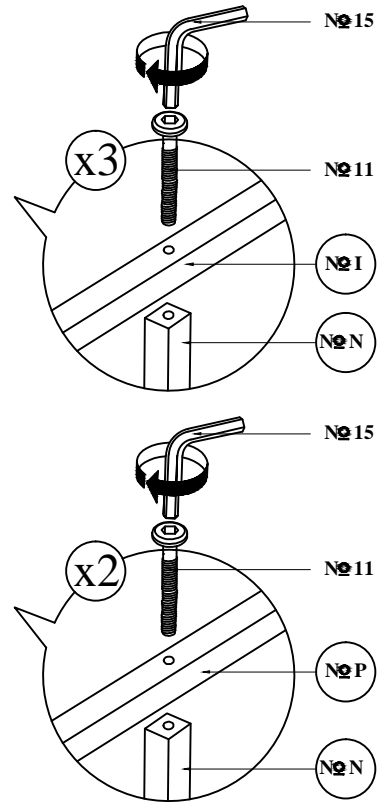
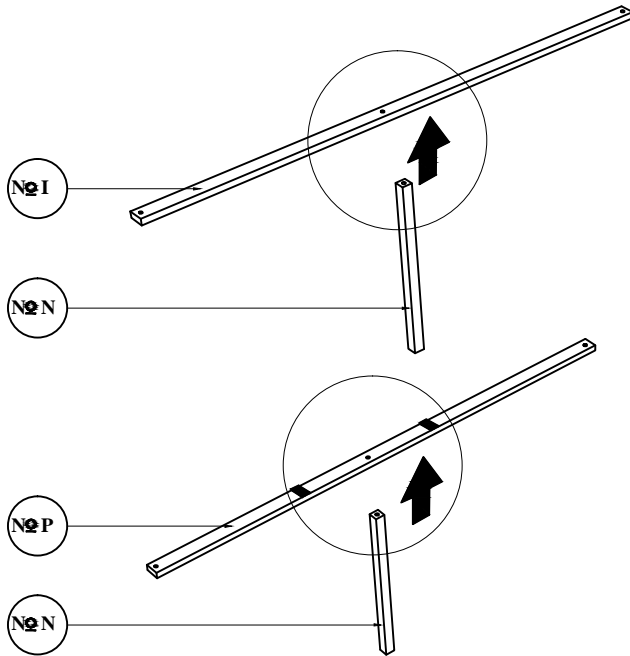
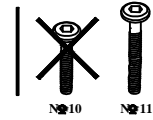


Footboard  
Structure  
Assembly  
Installation

**STEP  
15**

Attach Bed Slat (I) & (P) to the Bed Slat Support (N) . Tighten JCBC Bolt (11) using an Allen Key (15). ( Loosen and tighten the Adjuster to stability of bed)

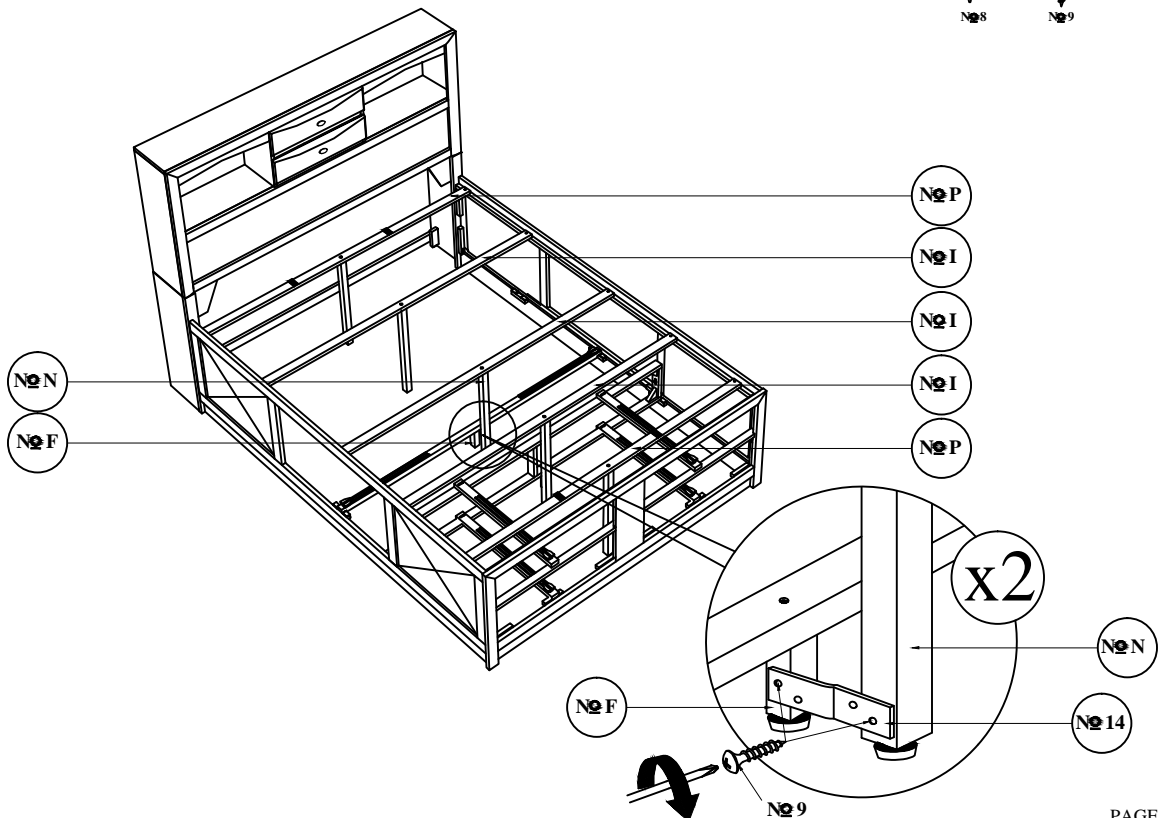
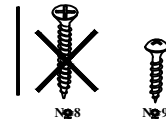
**Box 2 : No I + No N + No O + No P + No 11 + No 15**



**STEP  
16**

Attach Z-Bracket (14) to the Bed Slat Support (N) and Support Leg 2 (F). Use Panhead Screw (9) and tighten with Screw Driver. ( Not included)

**Box 2 : No 9 + No 14**



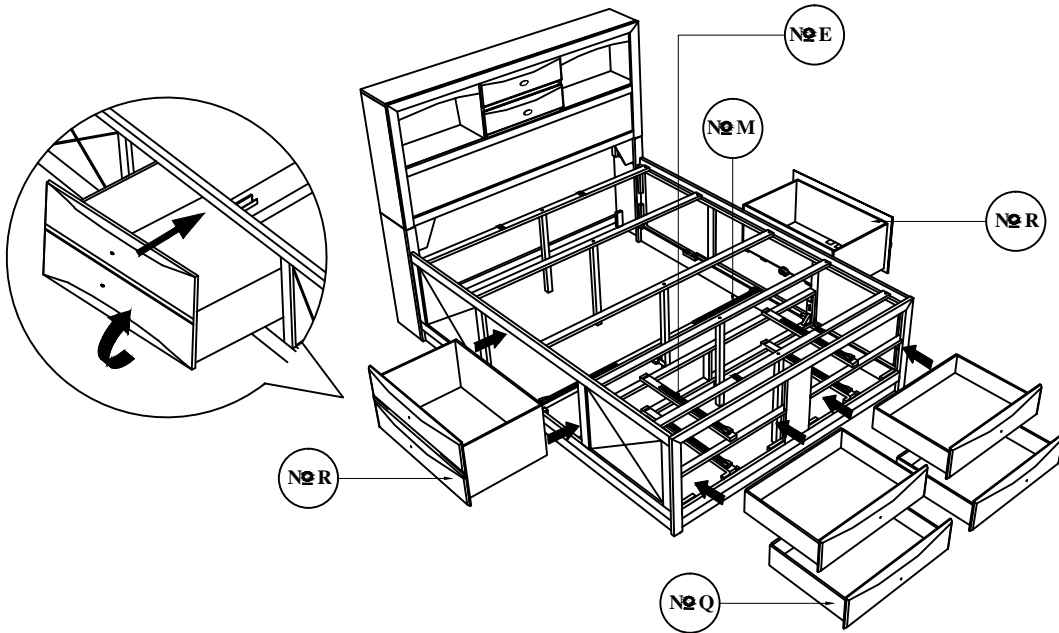
# C

**STEP 17**

Slide Drawer - 2 (R) into position over Draer Support Rail -1 (M). Then slide Drawer - 1 (Q) into position over Drawer Support Rail - 2 (E). Adjust the adjuster for alignment of drawer box.

**Box 3 : № Q + № R**

Conceal Panel & Drawer Assembly Installation



**STEP 18**

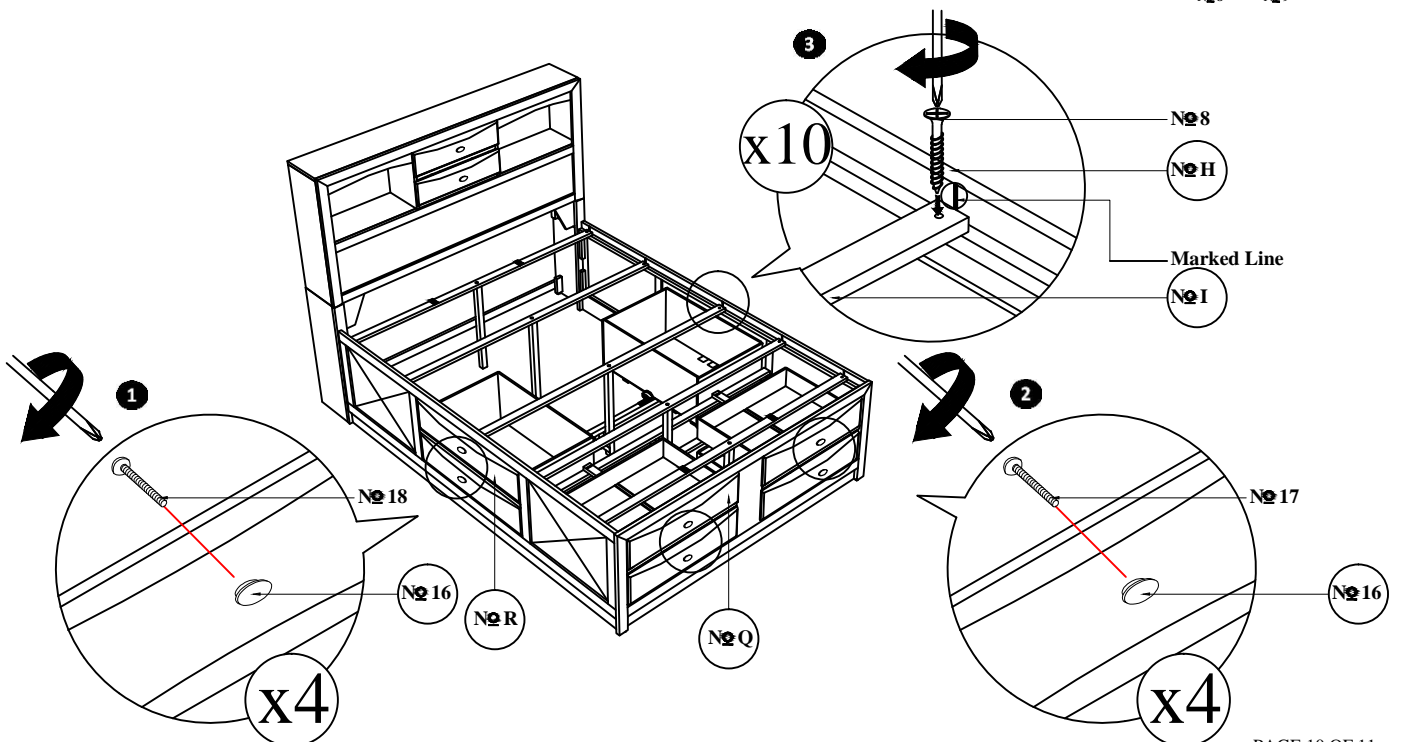
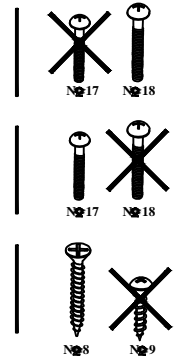
Install the handle (16) in the front of drawer (R). Tighten the Handle Screw (18) using Screw Driver. (Not included)

Install the Handle (16) in front of drawer (Q). Tighten the Handle Screw (17) using Screw Driver. (Not included)

Then Push together the Slide Rail (H) with Bed Slat (I) & tighten with CSK Screw (8) by using Screw Driver. (Make sure the center of Bed Slat (I) is aligned with the marked line as shown).

**Box 2 : № 8**

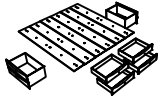
**Box 3 : № 16 + № 17 + № 18**



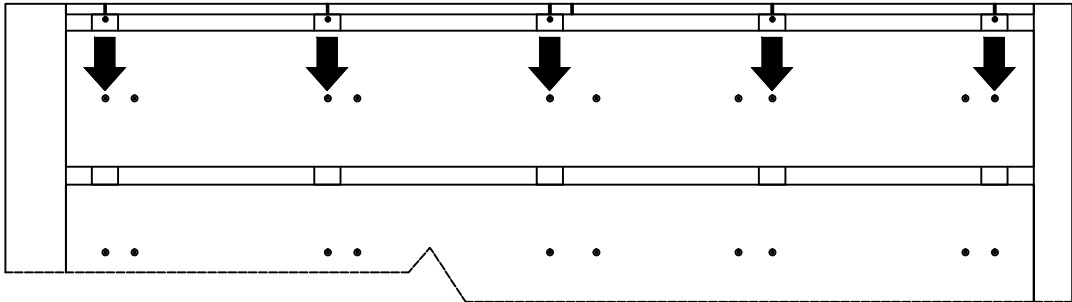
# C

STEP  
19

Attention! Screw on this markings on concealed panel slat (K).



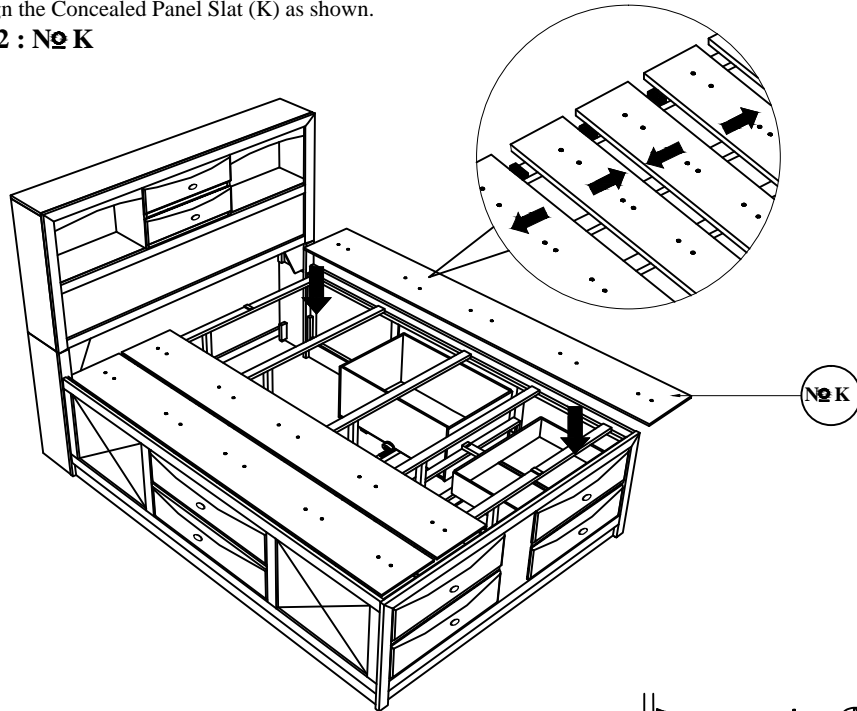
Conceal  
Panel & Drawer  
Assembly  
Installation



STEP  
20

Realign the Concealed Panel Slat (K) as shown.

Box 2 : № K



STEP  
21

Attach Concealed Panel (K) over the Bed Slat (I) using Panhead Screw (9) and tighten with Screw Driver. ( Not included)

Box 2 : № 9

