

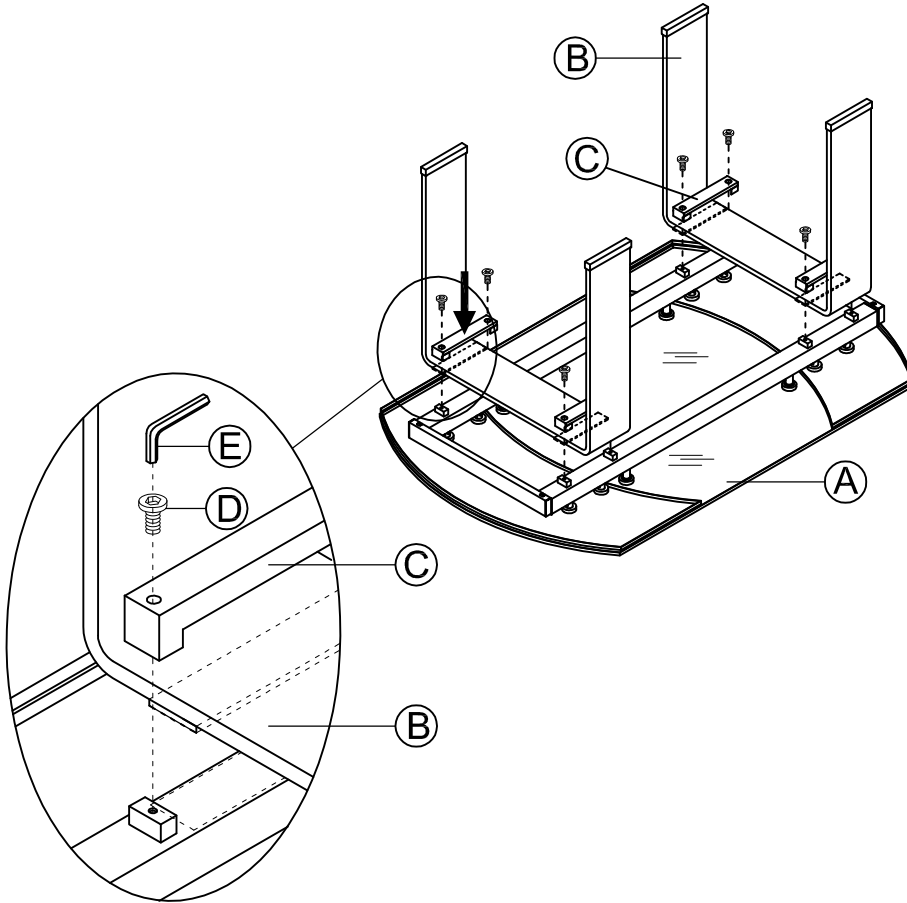
# ASSEMBLY INSTRUCTION

Model : D2160DT

Description : DINING TABLE

Thank you for purchasing this quality product. Be sure to check all packing material carefully for small parts that may have come loose inside the carton during shipment.

Step 1:



## PART LIST :

No.	Description	Diagram	Quantity
A	Table Top		1
B	Table Leg		2
C	Table support		4

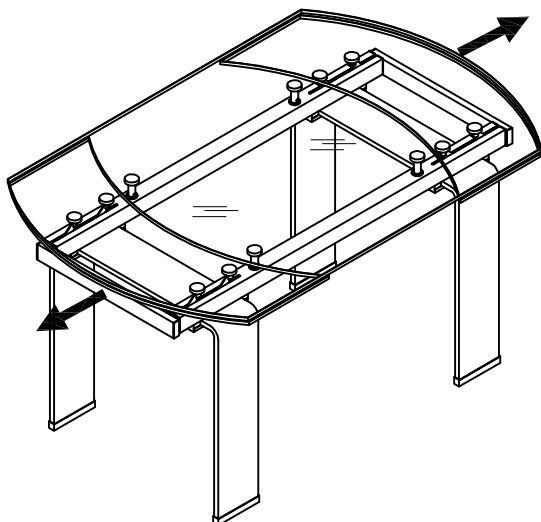
## HARDWARE LIST :

No.	Description	Diagram	Size	Quantity
D	Bolt		M8 x 12mm	8
E	Allen key		M5	1
F	Allen key		M3	1

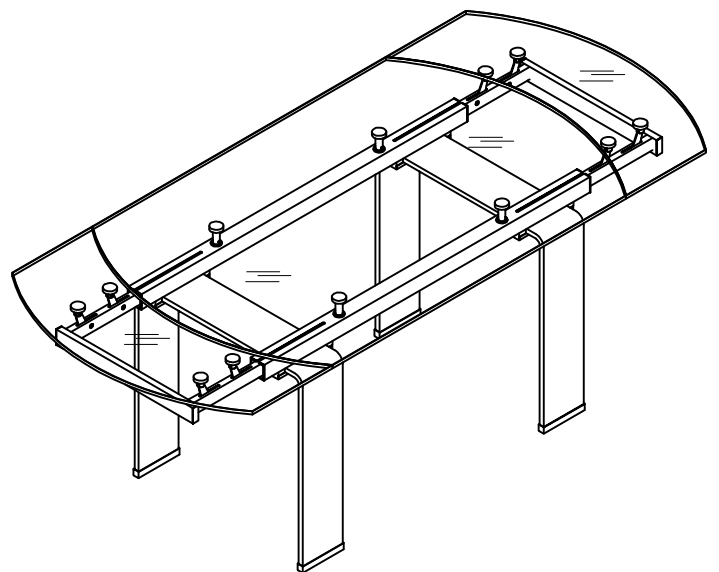
## Note:

Please DO NOT tighten all of the bolts until the table leg is aligned to the table top.

Step 2:

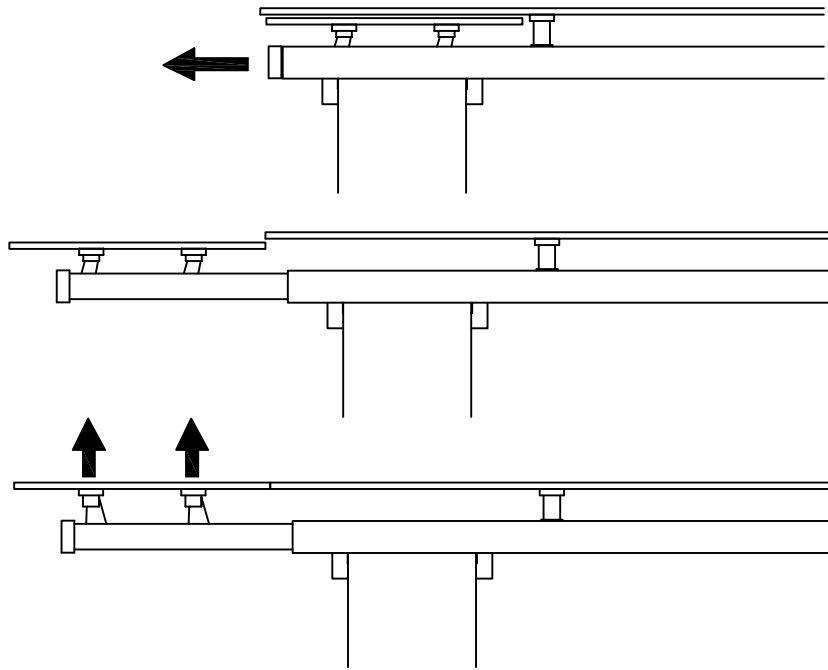


Finished

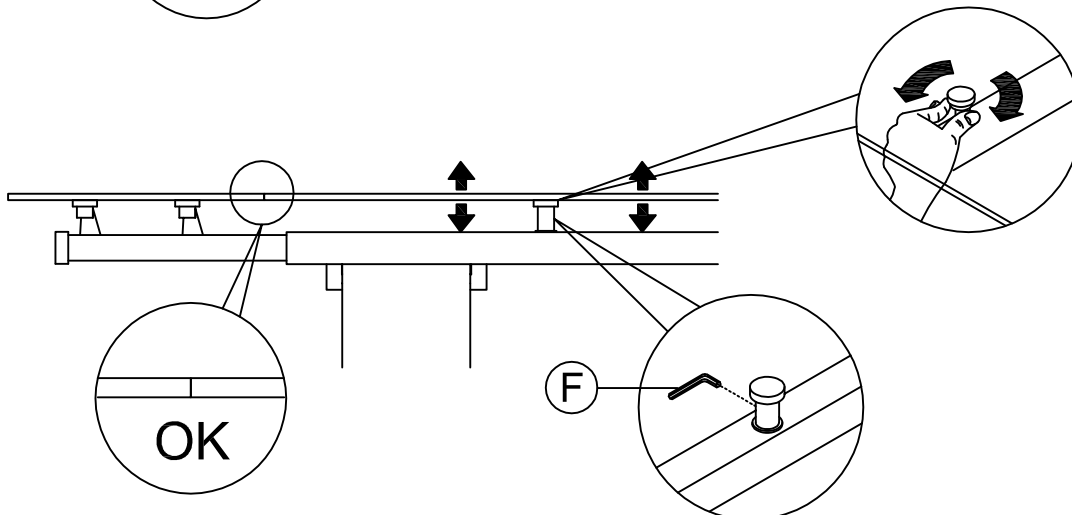
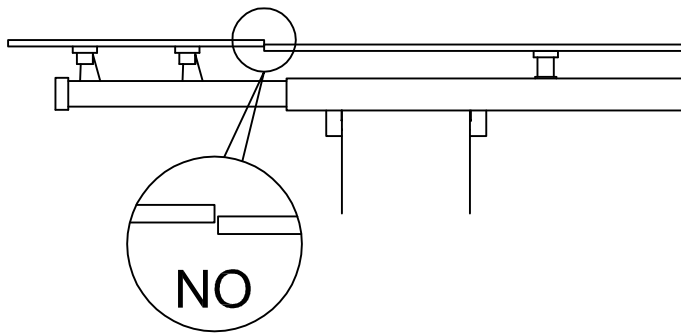
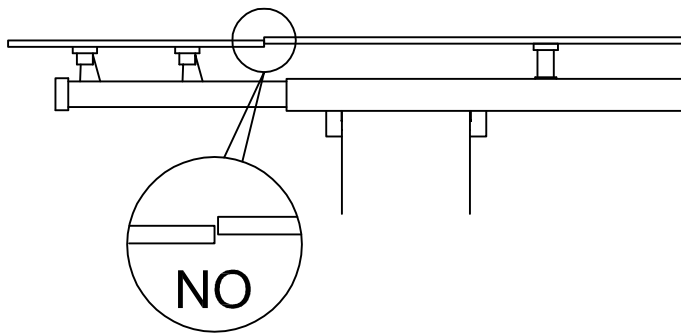


Made In China

### Solution 1 :



### Solution 2 :



#### Table Top Levelling Method :

1. Loosening the screw of glass top support shaft underneath of the Glass Top A by Allen Key F.
2. Twist the middle glass top support shaft clockwise / counter-clockwise until the both side and center glass top are in same level or flat.
3. Tighten the screw and complete the levelling.

#### Note :

- (a) Clockwise twisting the shaft to lowering the middle glass top.
- (b) Counter-clockwise twisting the shaft to rise the middle glass top.

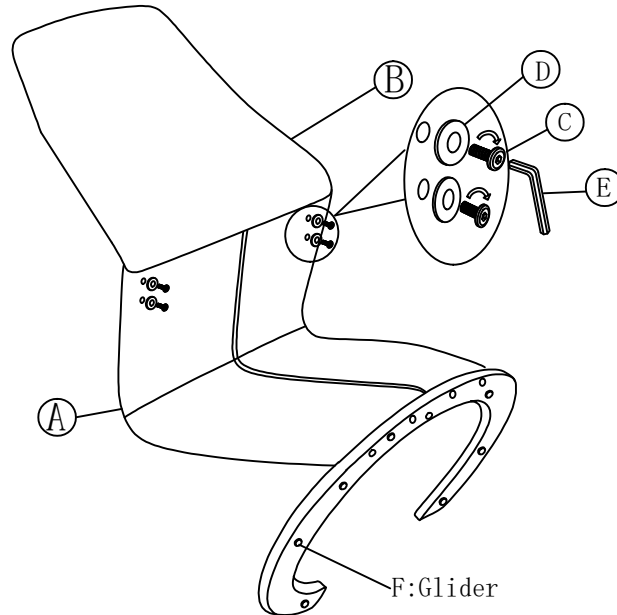
# ASSEMBLY INSTRUCTION

Model : D9002DC

Description : Dining chair

Thank you for purchasing this quality product. Be sure to check all packing material carefully for small parts that may have come loose inside the carton during shipment.

Step 1:



## PART LIST :

No.	Description	Diagram	Quantity
A	The cushion and frame		1
B	Back of a chair		1

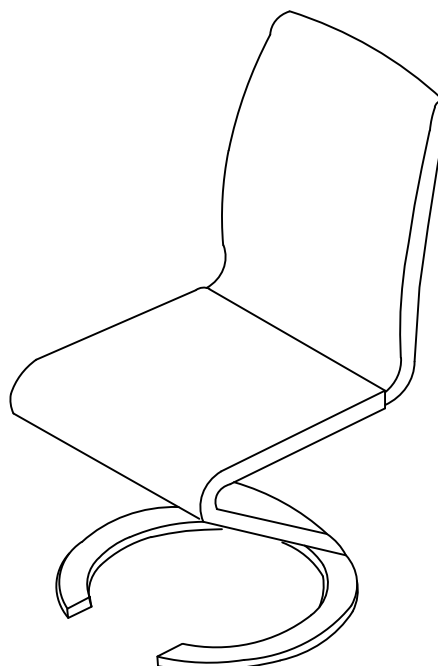
## HARDWARE LIST :

No.	Description	Diagram	Size	Quantity
C	Bolt		M6 x 12mm	4
D	Flat washer		Ø16 x Ø6mm	4
E	Allen key		M4	1

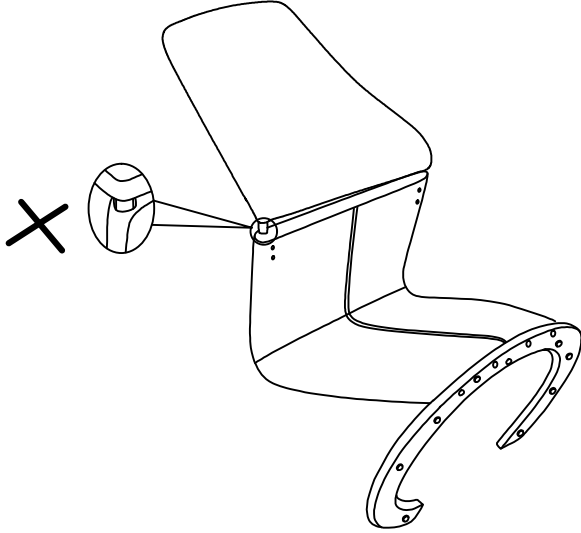
## PREFIX HARDWARE:

F	Glider		8
---	--------	--	---

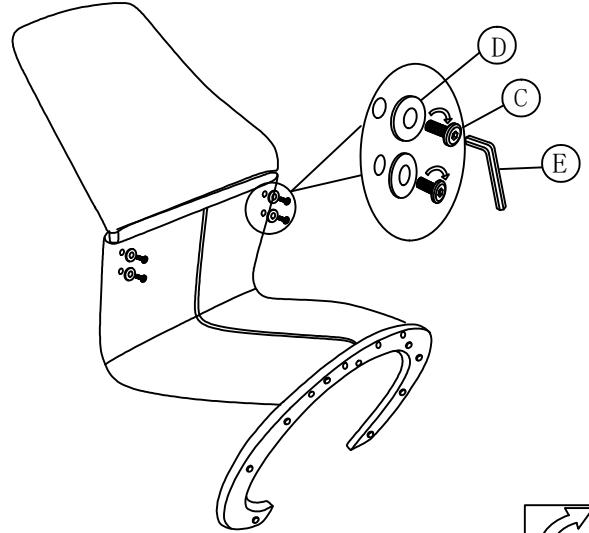
Step 2:



Poor Assembly Picture:



Step 2-a: Place the backrest (B) into the holes on the seat (A). Push down to make sure the screw holes on the backrest (B) are aligned with the screw holes on the seat (A). Screw in all necessary hardware as shown only halfway, do not completely tighten.



Step 2-b: Press the backrest (B) down so that the backrest is completely flush with the seat (A). Then proceed to completely lock all the screws. (Do not completely tighten the screws if the backrest (B) and seat (A) are not completely flush with each other)

Finished:

